

### 4-323 Hinge Pr04 180°

for surface mounted door

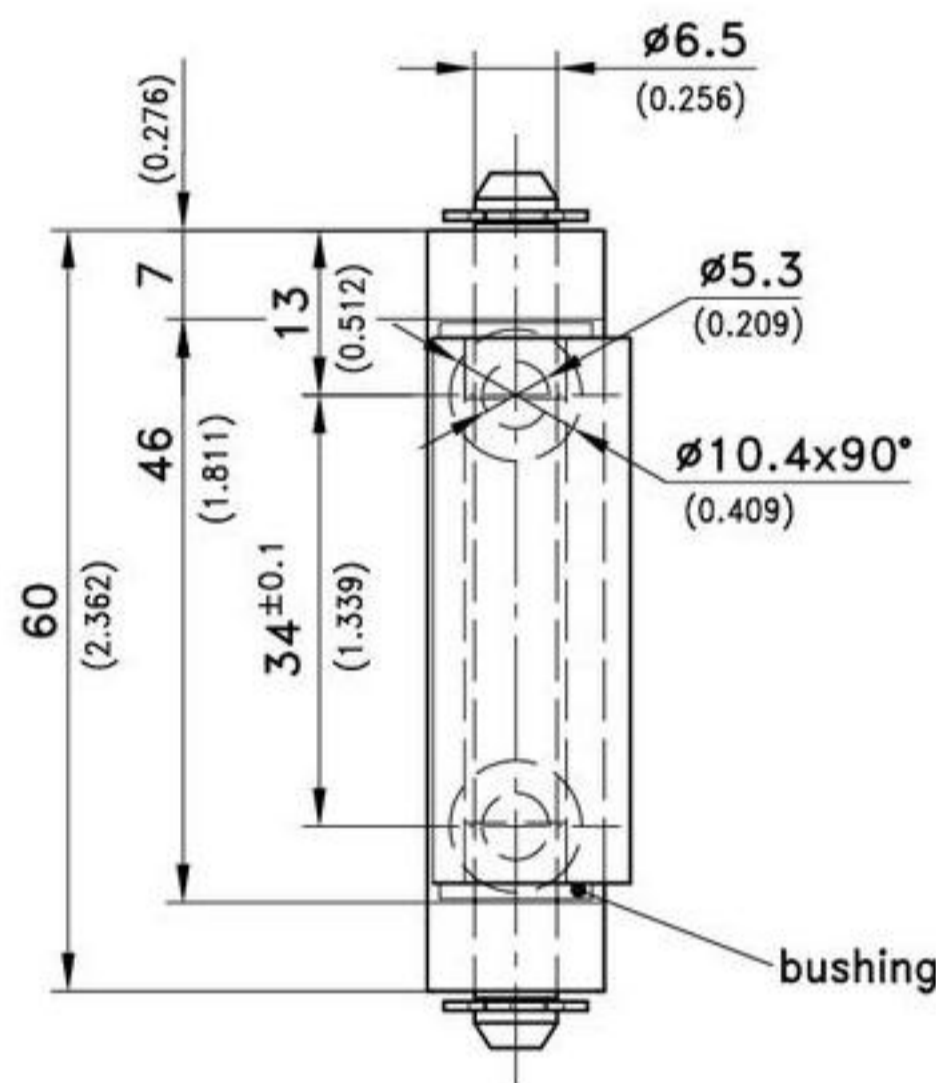


Hinge for surface mounted doors.

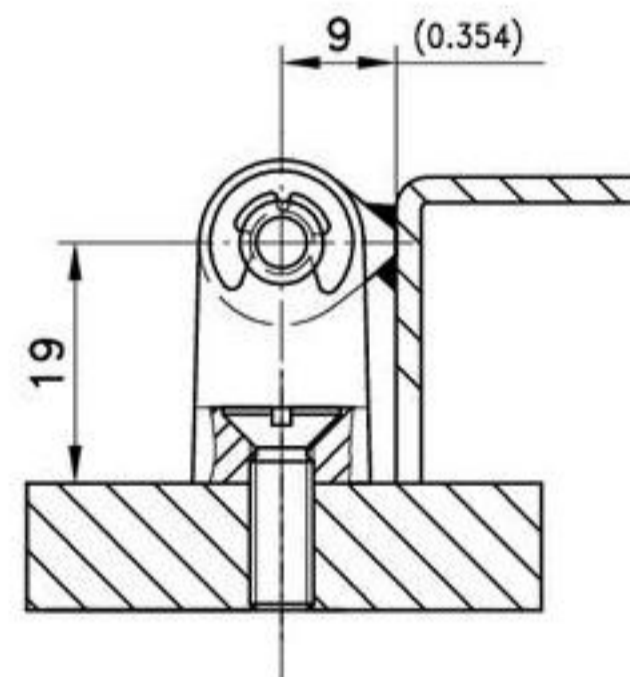
- Frame part screw-on and middle-part weld-on.
- Pin pivots in polyamide bushings.

**Material:**

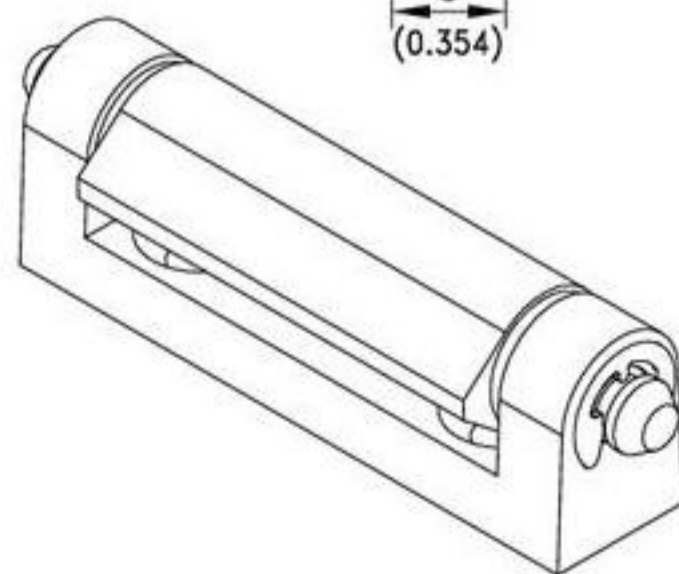
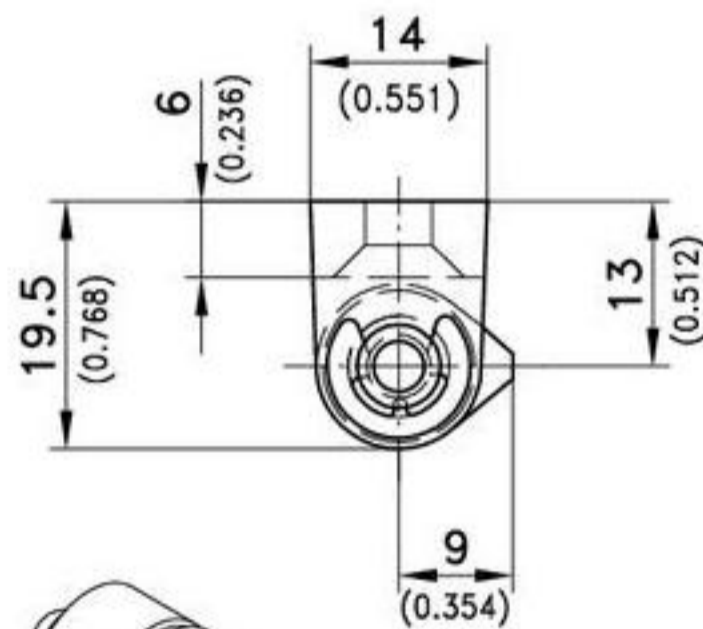
- **Frame part:** zinc die, black or chrome plated
- **Middle-part:** steel, untreated
- **Pin:** steel, zinc plated
- **Bushings:** PA, natural



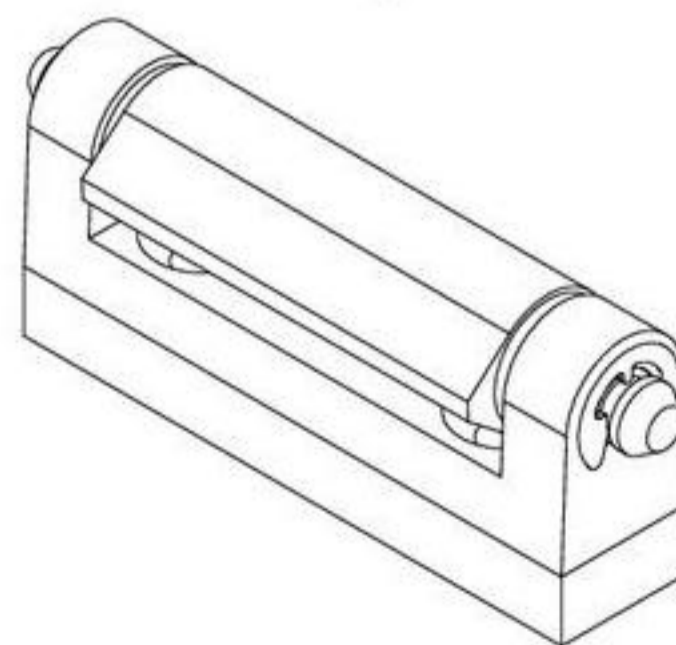
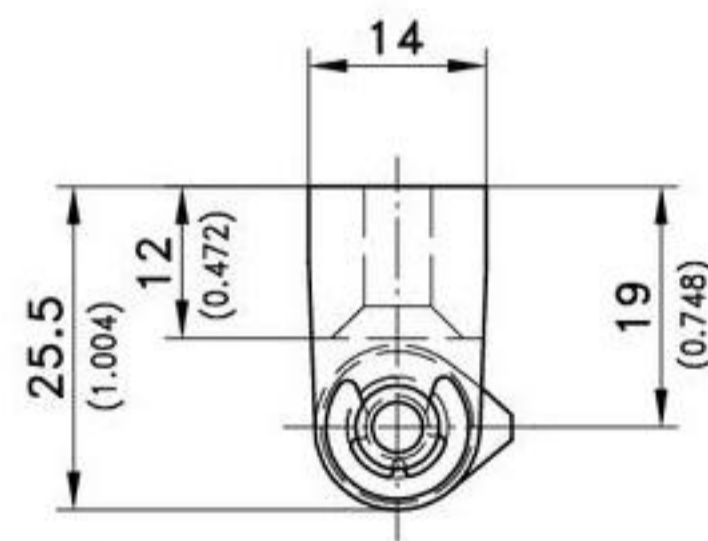
Example of application



Normal frame part



Raised frame part



Surface of frame part	Standard frame part	Raised frame part	see page
chrome plated	217-9201	217-9203	
black coated	217-9202	217-9204	
Countersunk machine screws (zinc plated)			09.5