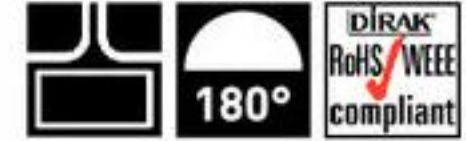


4-340 Hinge Pr01 180°

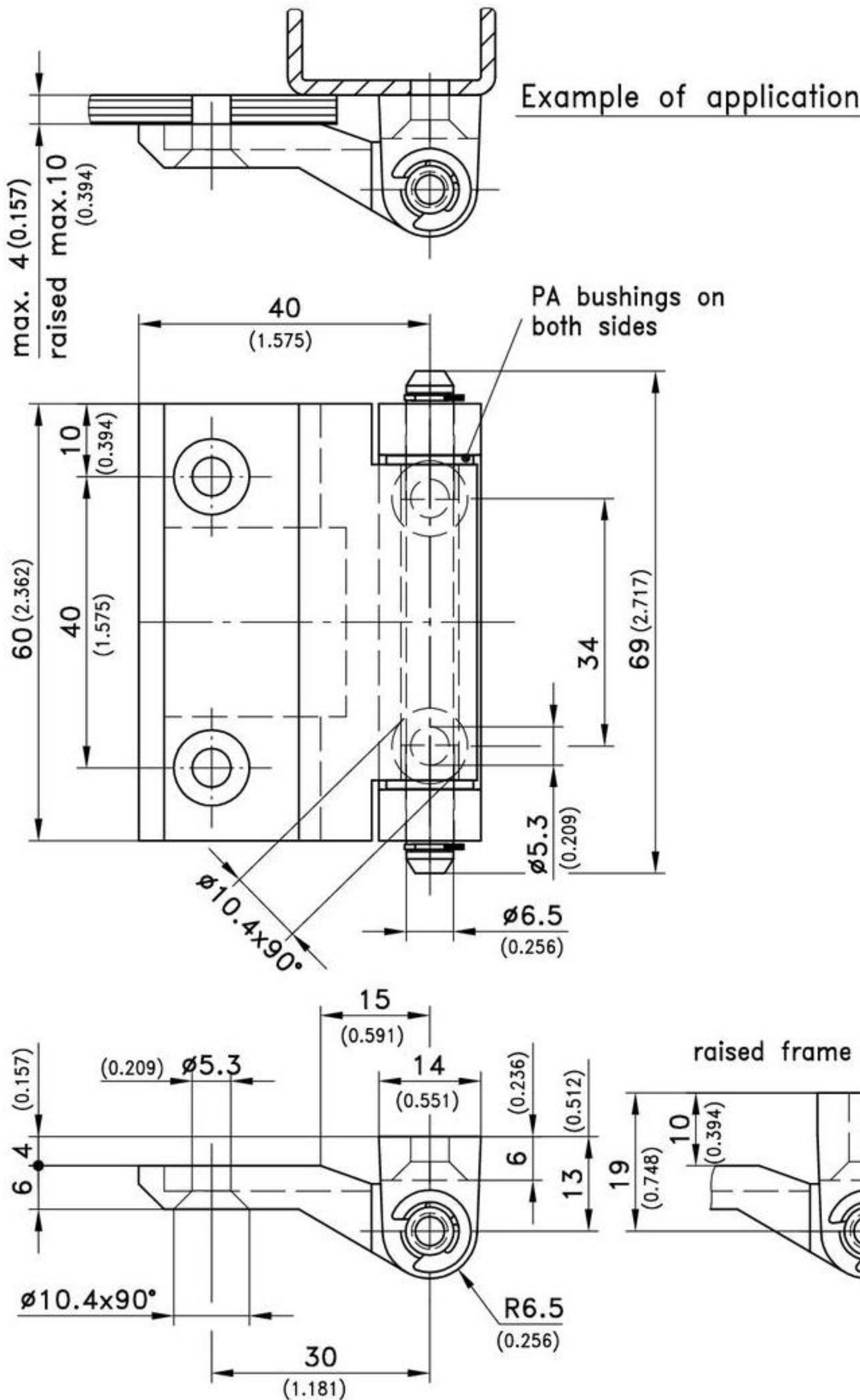
for nested door



180° Hinge with PA bushings.
• Opening angle 180°.

Material:

- **Hinge Parts:**
zinc die, black or chrome plated
- **Pin:**
stainless steel or steel, zinc plated
- **Bushings:**
PA, natural



Version	standard frame part chrome plated	standard frame part black	raised frame part chrome plated	raised frame part black	see page
Hinge with PA bushings					
Pin: steel, zinc plated	217-9111	217-9105	217-9118	217-9107	
Pin: stainless steel	217-9112	217-9106	217-9119	217-9108	
Countersunk machine screws zinc plated					09.5

4-340SL Hinge Pr01 SNAP-LINE 180°

nested door

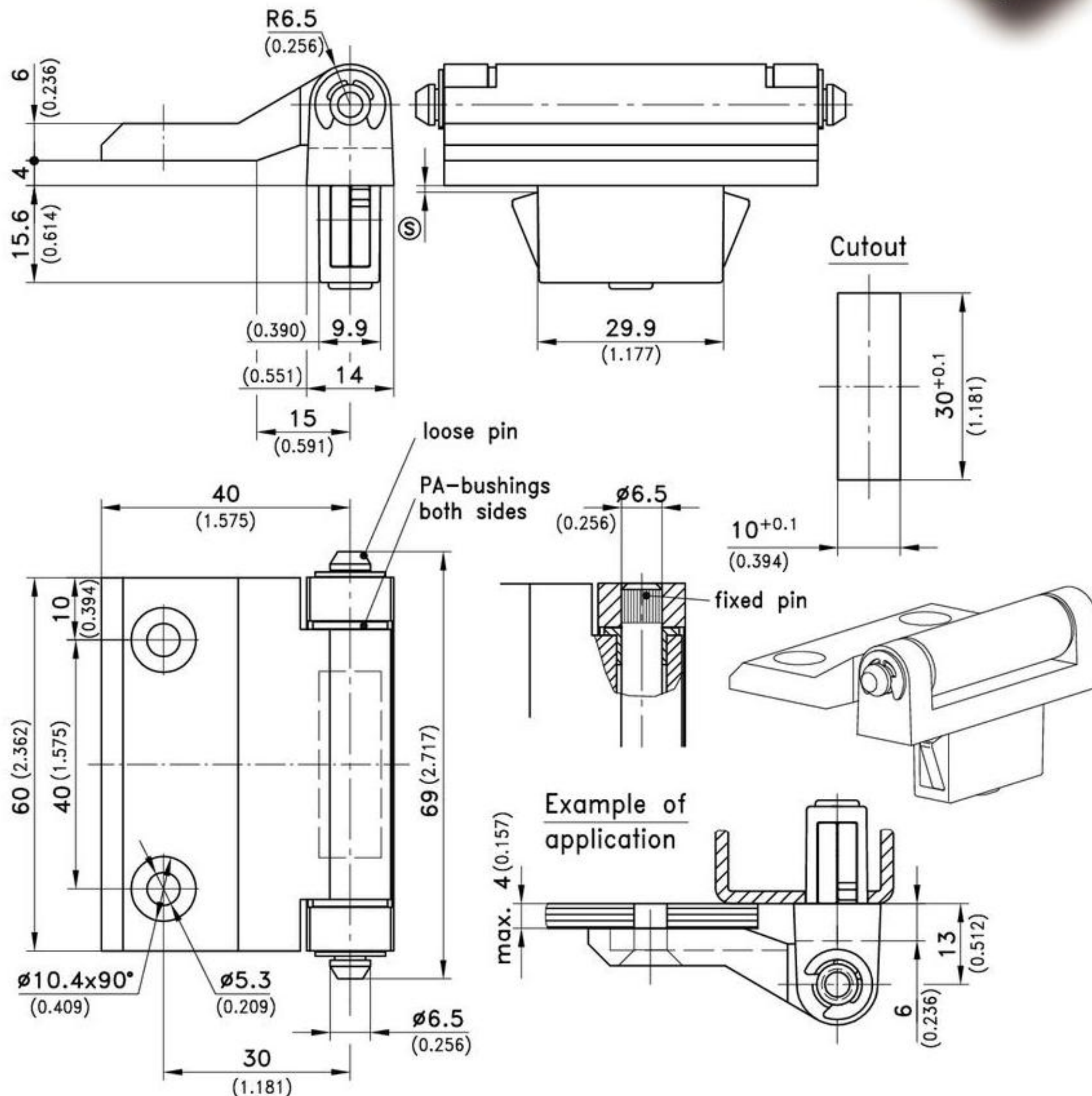


180° hinge SNAP-LINE.

- Opening angle 180°.
- Frame-part with D-SNAP technology.
- Door-part with countersunk holes.
- Further details and dimensions see page 06.29.

Material:

- **Hinge Parts:**
zinc die, black
- **loose and fixed pin:**
stainless steel
- **Bushings:**
PA
- **Washers:**
stainless steel
- **Snap wedges:**
sintered steel



clamping range [Ⓢ]	with loose pin	with fixed pin	see page
1,2 - 1,7	417-9106.00-00015	417-9109.00-00015	
1,7 - 2,2	417-9106.00-00020	417-9109.00-00020	
2,2 - 2,7	417-9106.00-00025	417-9109.00-00025	
2,7 - 3,2	417-9106.00-00030	417-9109.00-00030	
Other [Ⓢ] - dimension on request!			
Cover for cutout 30x10	292-0401.00-03010	292-0401.00-03010	01.107
Reinforcement plate for thin-walled sheets and for higher loads:	292-0702.15-01030	292-0702.15-01030	01.108
Tool for uninstallation	292-0306.80-02530	292-0306.80-02530	01.109