

4-320 Hinge Pr04 180°

for surface mounted door

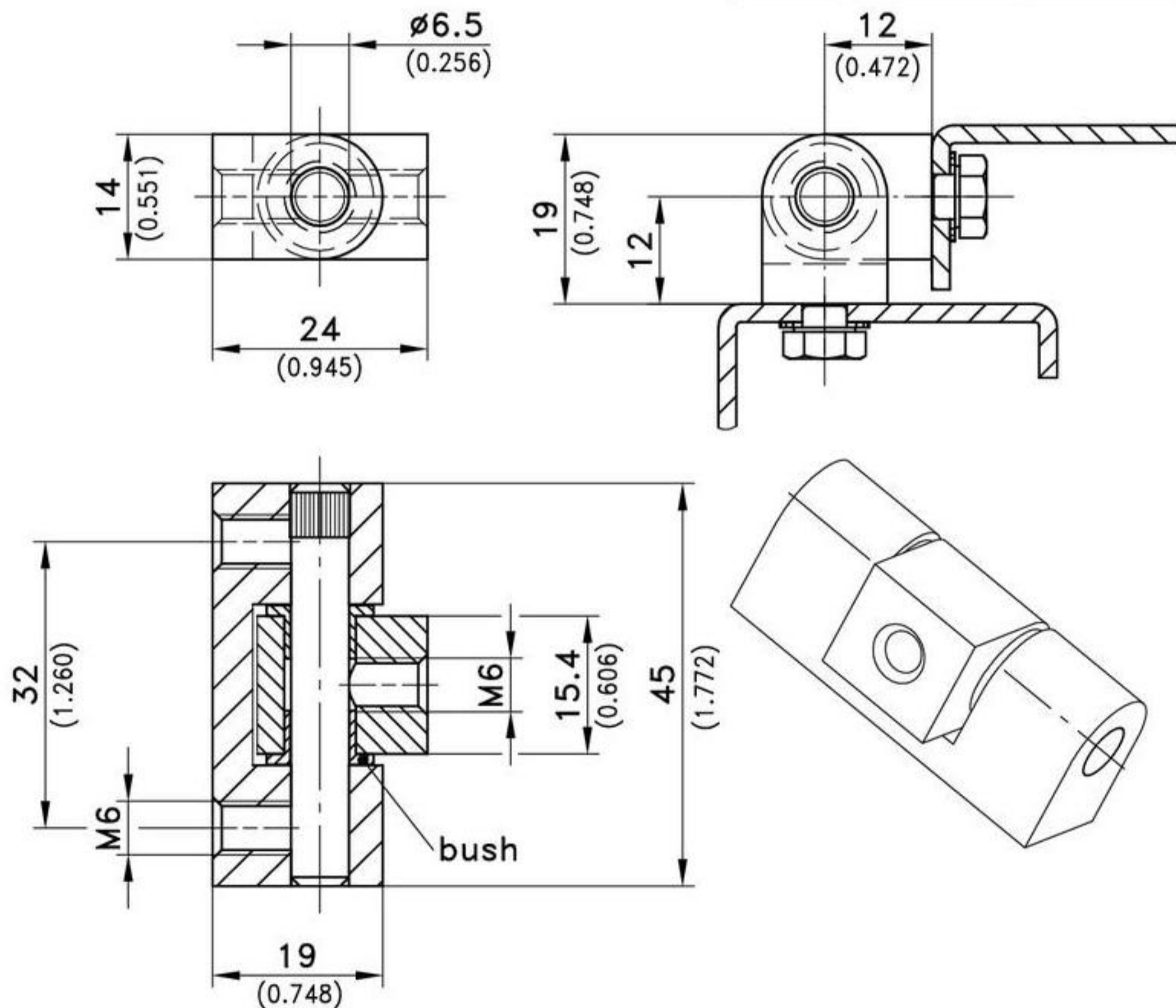


Hinge for surface mounted doors.
 • RH or LH application.

- Material:**
- **Frame and middle part:**
zinc die, black or chrome plated
 - **Pin:**
stainless steel
 - **Bushings:**
PA, natural



Examples of application



Version	chrome plated	black	see page
Hinge	217-9001	217-9002	
Screws			09.4