

7-150 Concealed Hinge Pr03 120°

stainless steel AISI 304, door bending 20mm for surface mounted door

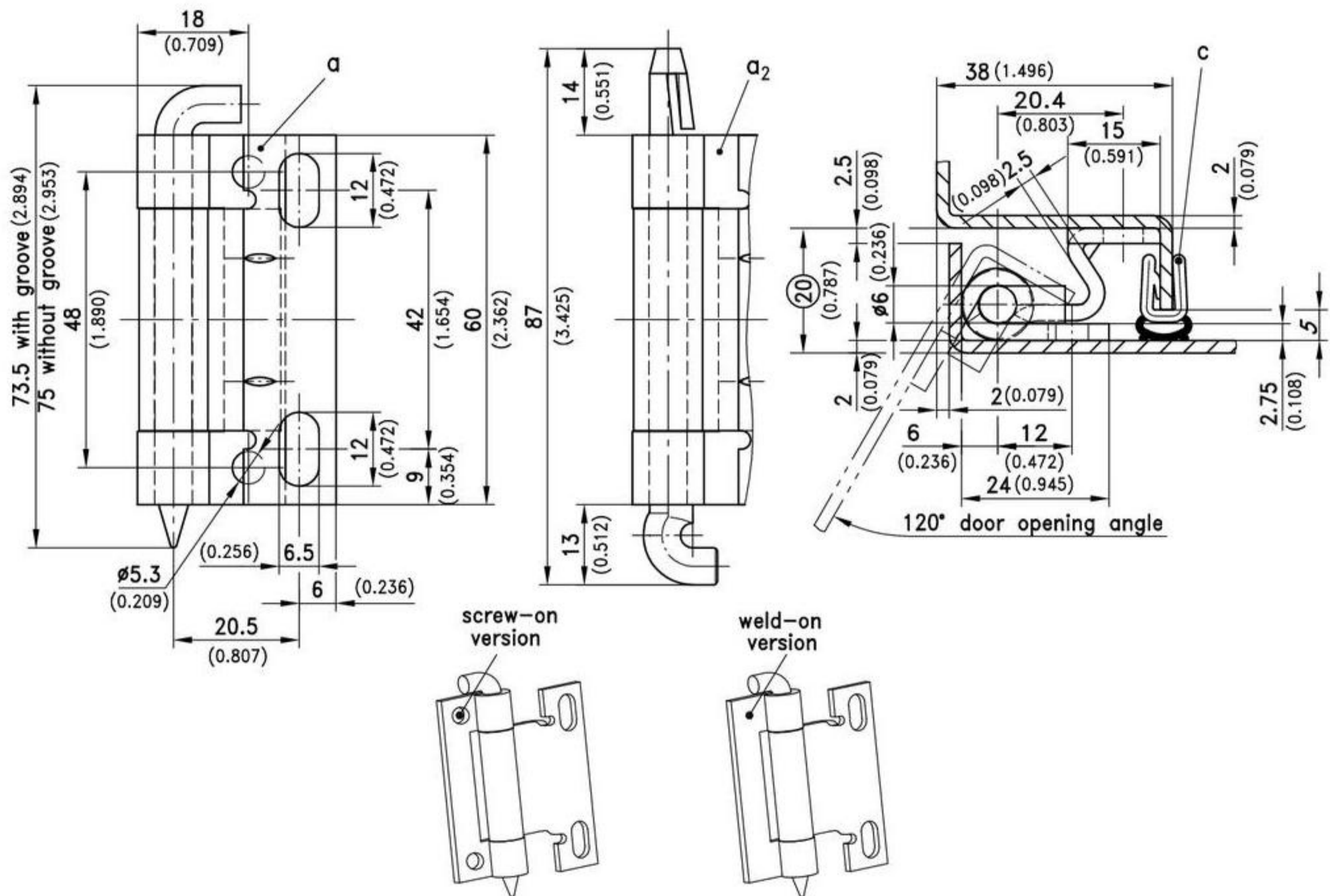


120° concealed hinge for surface mounted door

- RH or LH application.
- Frame part: screw-on, door part: weld-on
- The POM pin is self-securing.

Material:

- a) and a1)
- **Hinge parts and pin:** stainless steel
- a2)
- **Pin:** POM natural



120° Concealed Hinge	door part screw-on	door part weld-on	see page
a) Pin without groove, stainless steel	216-9103	216-9120	
a1) Pin with groove for retaining ring, stainless steel	216-9111	216-9125	
a2) Pin, POM	216-9105	216-9123	
Optional:			
b) Retaining ring DIN 6799 RS4 for versions a1)	800-0138	800-0138	
c) e.g. Clip-on profile	209-0205	209-0205	07.19