

7-138 Concealed Hinge Pr03 125°

stainless steel AISI 304, door bending 20mm for surface mounted door

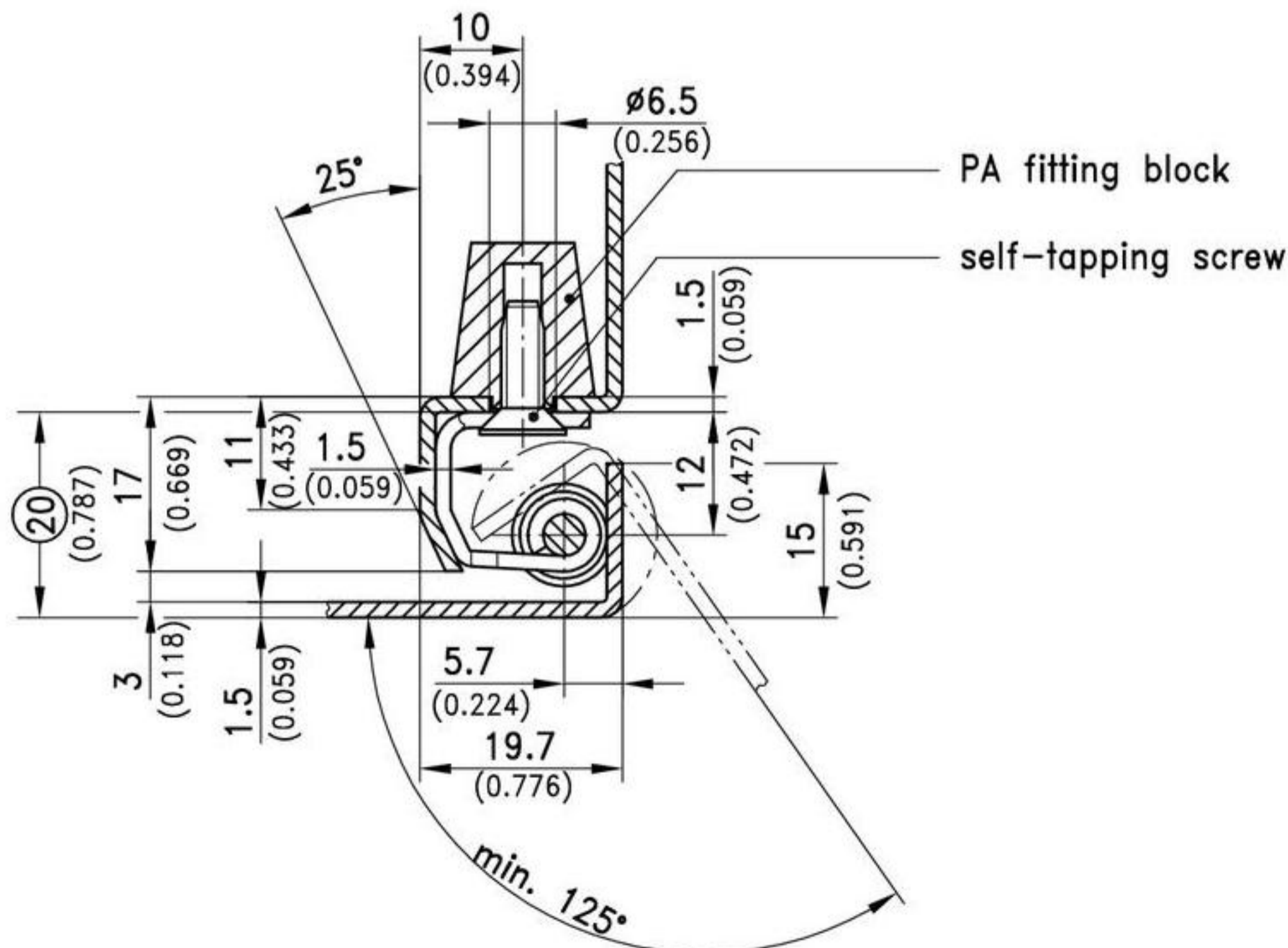
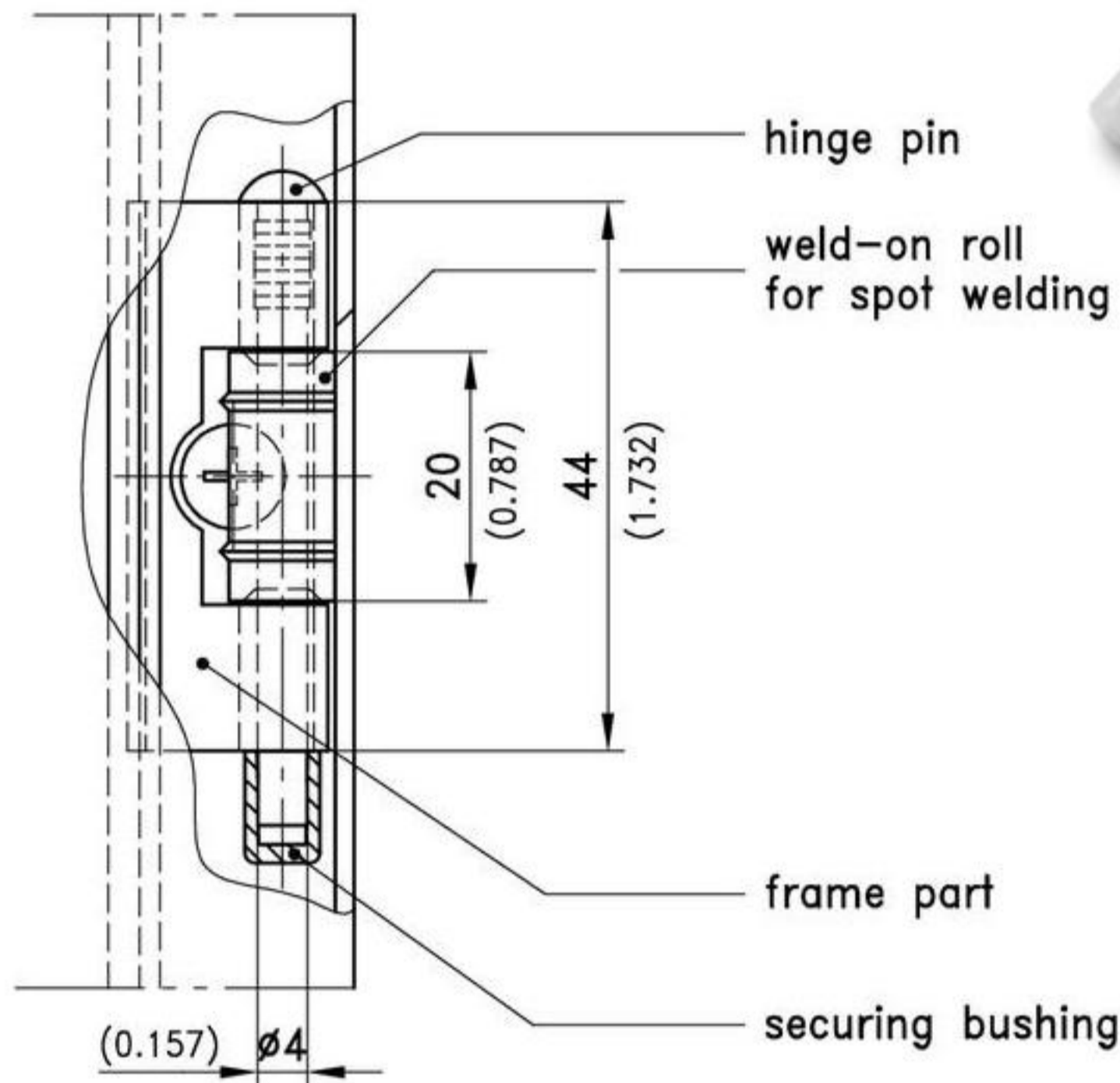


Concealed Hinge with opening angle 125°.

- RH or LH application.
- Door bending from 18 to 20mm.
- Frame part can be screwed on

Material:

- **Fitting block:**
PA, black
- **All other parts:**
stainless steel



	Part No.	see page
Concealed Hinge complete	216-9113	
Concealed hinge in steel		06.49