

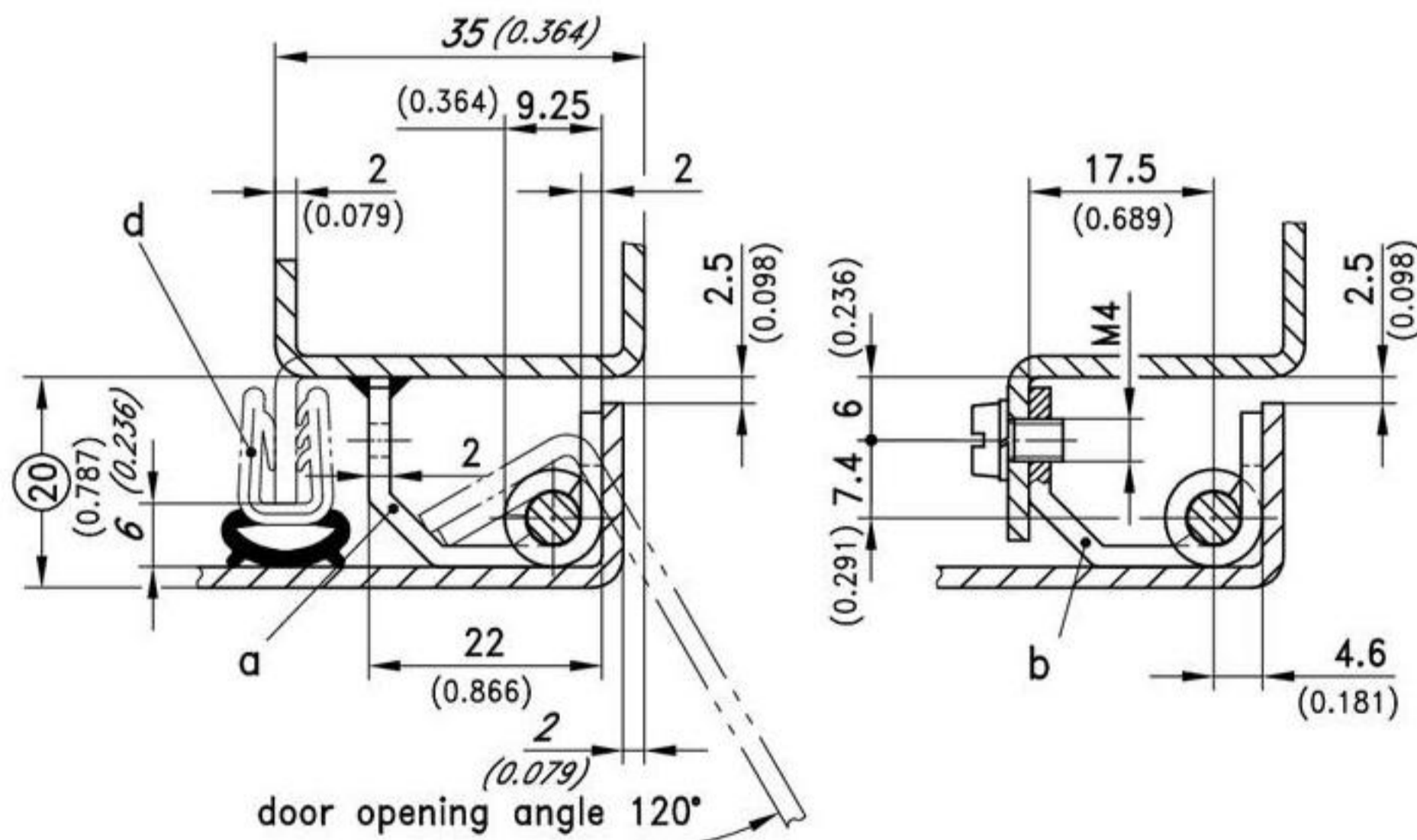
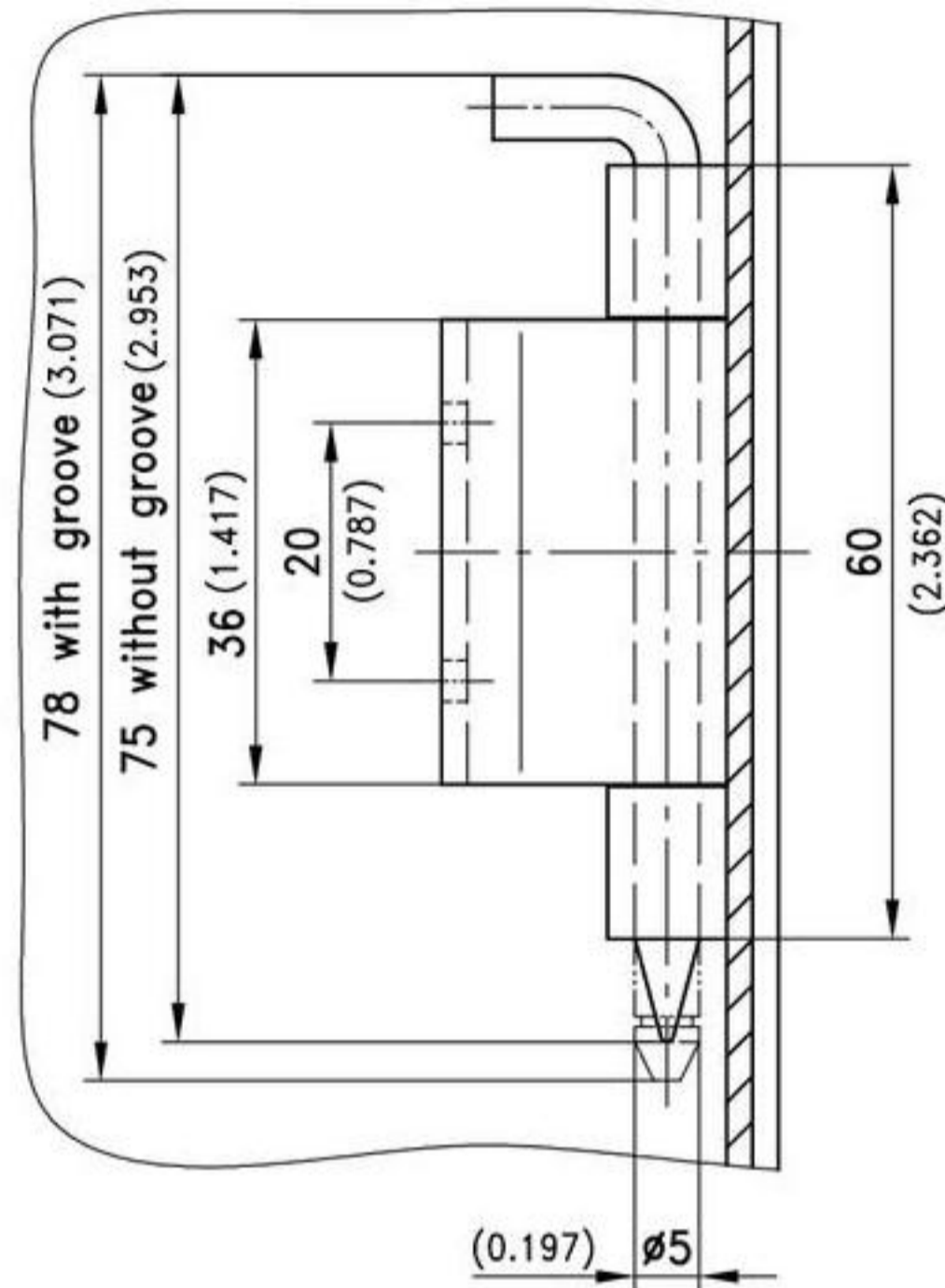
7-140 Concealed Hinge Pr03 120°

stainless steel AISI 304 / 1.4404, door bending 20 mm, for surface mounted door



120° concealed hinge for surface mounted door
• RH or LH application.

Material:
• Hinge parts and pin:
stainless steel



Version	Material Hinge Parts	Material Pin	Part No.	see page
a) Hinge assembly, weld-on, pin without groove	AISI 301	AISI 303	216-9101	
a1) as a), but with groove for retaining ring	AISI 301	AISI 303	216-9109	
b) Hinge assembly, screw-on, pin without groove	AISI 301	AISI 303	216-9102	
b1) as b), but with groove for retaining ring	AISI 301	AISI 303	216-9110	
b2) as b1)	AISI 316L	AISI 316L	216-9121*	

Optional:

c) Retaining ring DIN 6799 RS4 for versions a1), b1) and b2)	800-0138	
d) e.g. Clip-on profile	209-0201	07.19

* Only on request