

7-139 Concealed Hinge Pr03 120°

Door bending 20mm for surface mounted door, stainless steel AISI 304



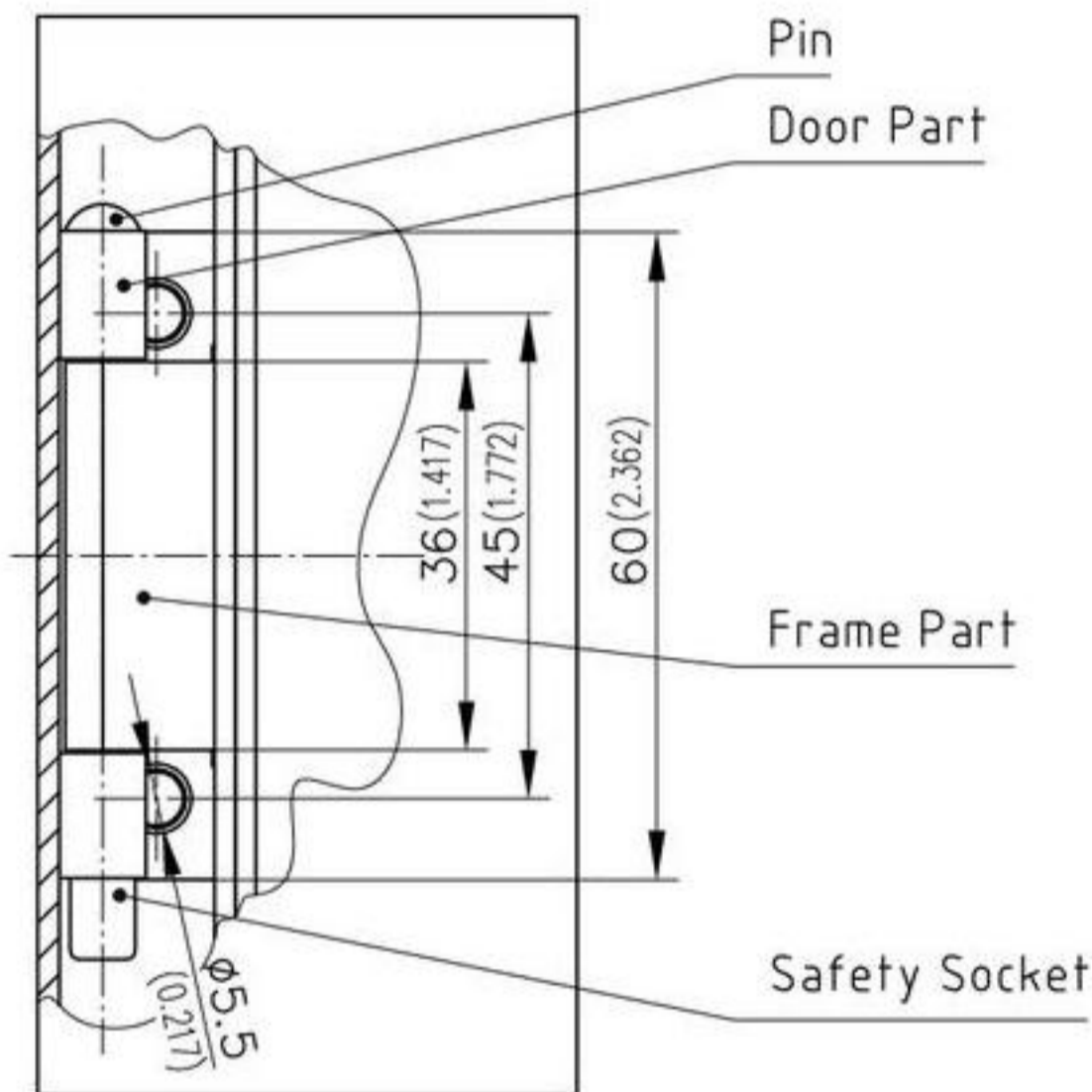
Concealed Hinge for cabinets for surface mounted doors.

- Solid design.
- ~120° opening angle.
- For 20mm bending.
- RH or LH application.
- Frame part with force fitted stud M5.
- Door part weld on with prepared welding spots.

- Pin with PE safety socket.
- **Attention:**
When 1.5mm sheets are used the assembly dimension change. Drawing on request.
- Steel design see page 06.50.

Material:

- **Frame part, door part and pin:**
stainless steel
- **Casing:**
PE



Example of application with 2mm (0.079) sheet

