

4-135 Concealed Hinge Pr03 120°

Door bending 23mm for surface mounted door

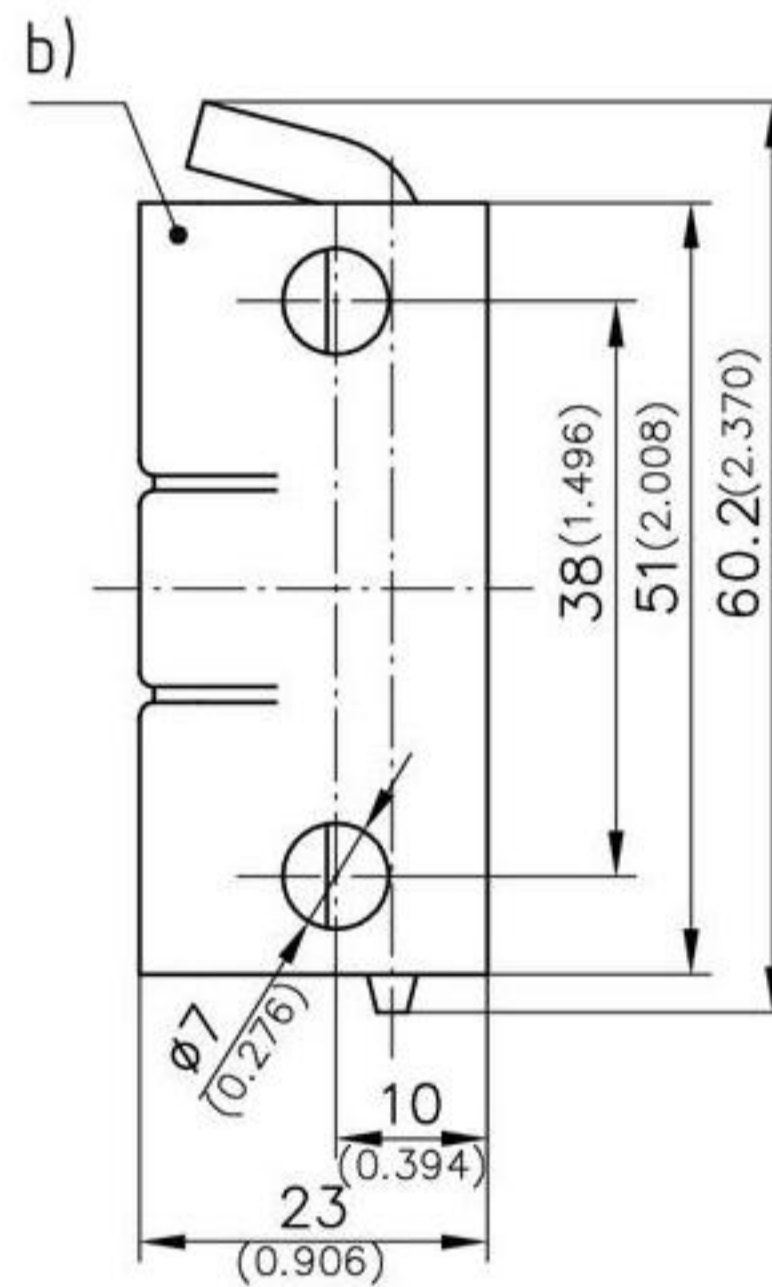
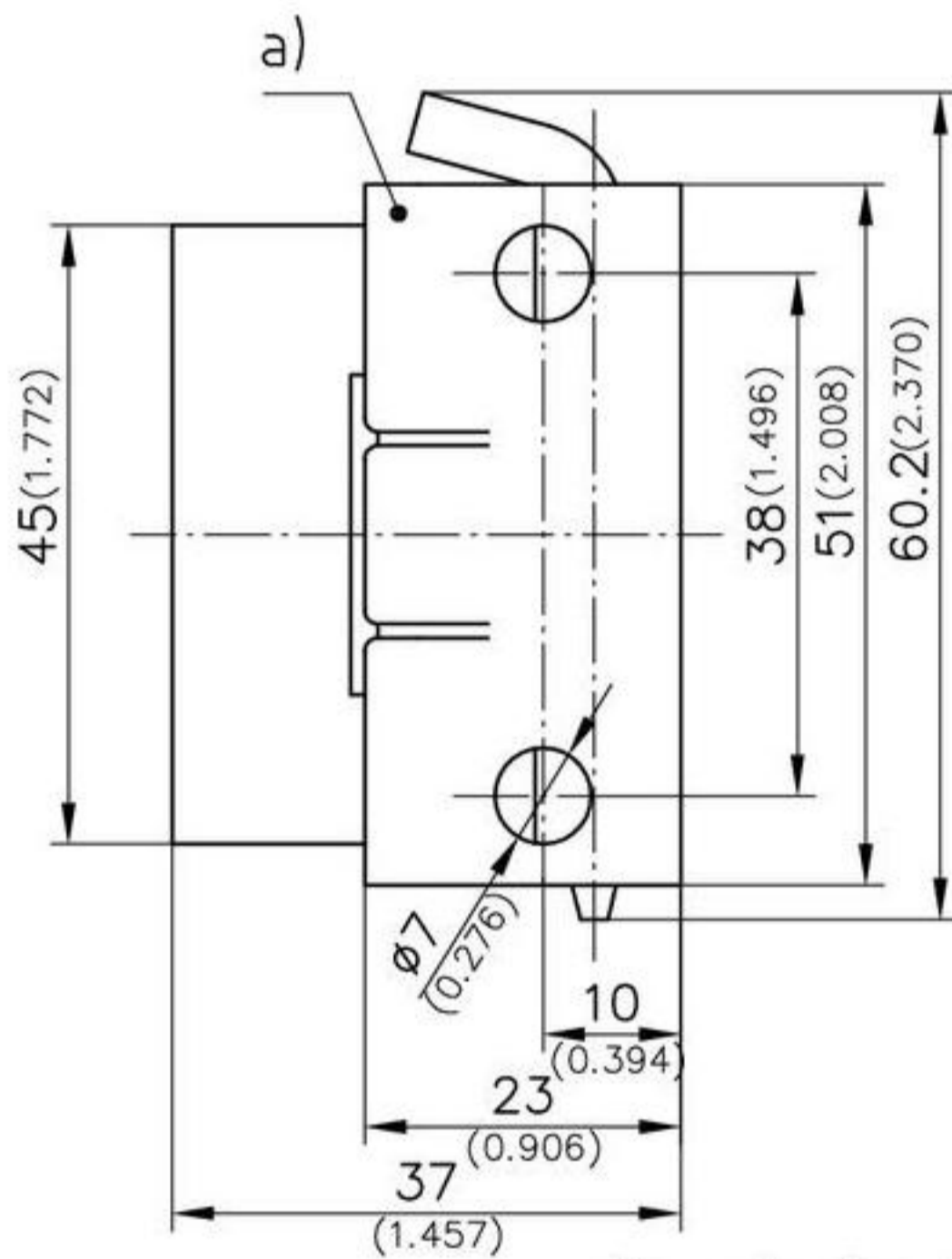


Hinge for surface mounted doors.

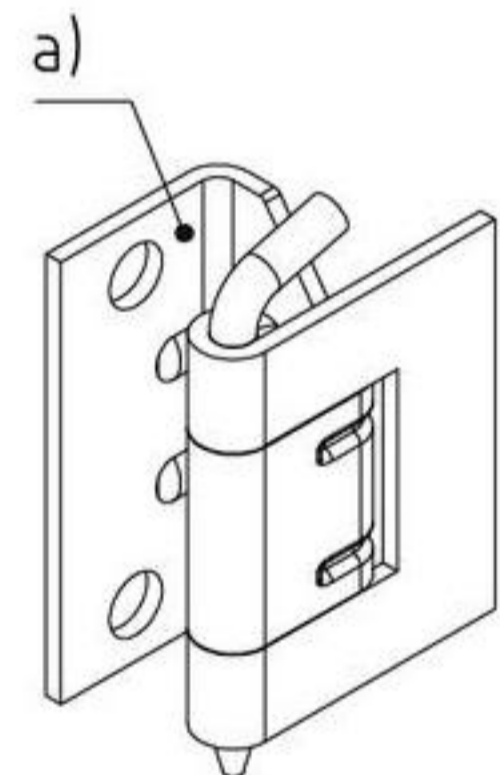
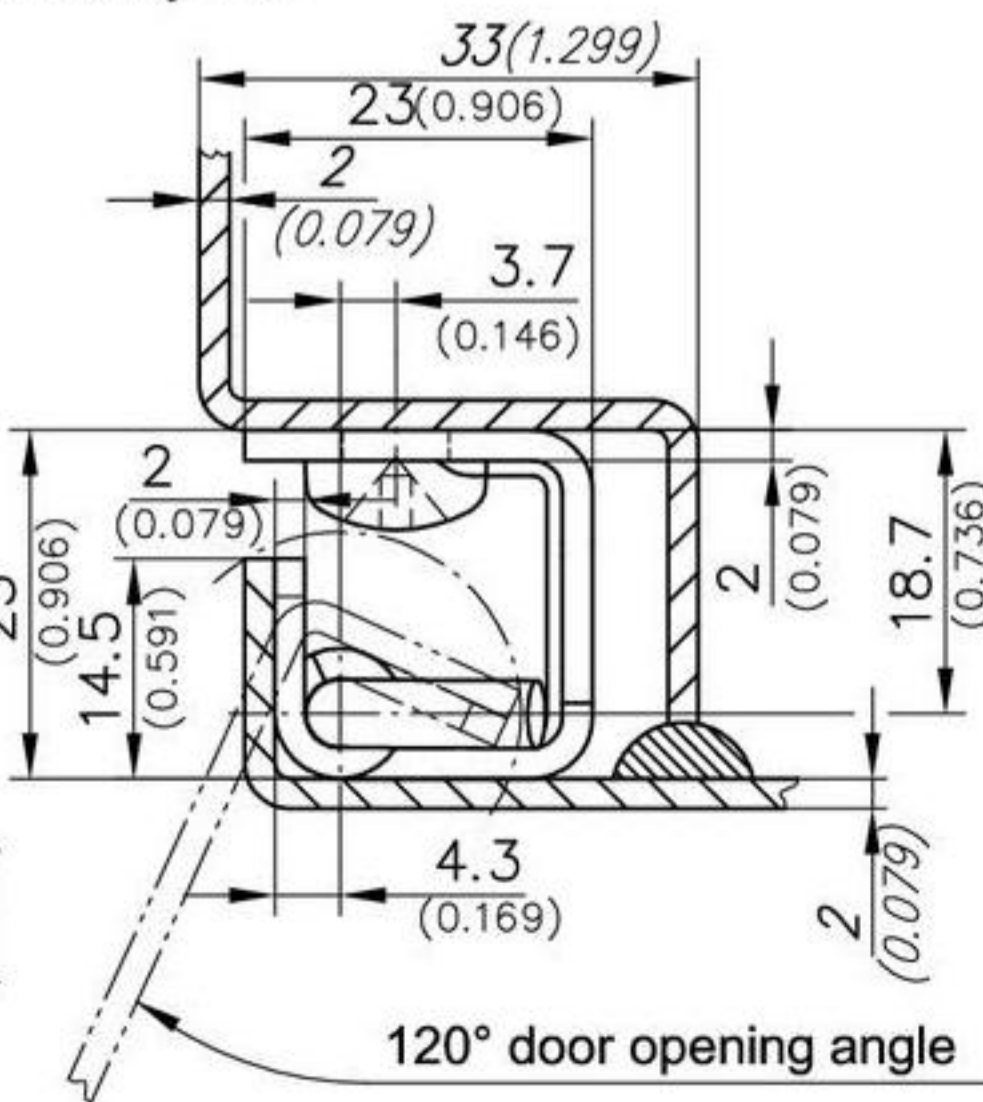
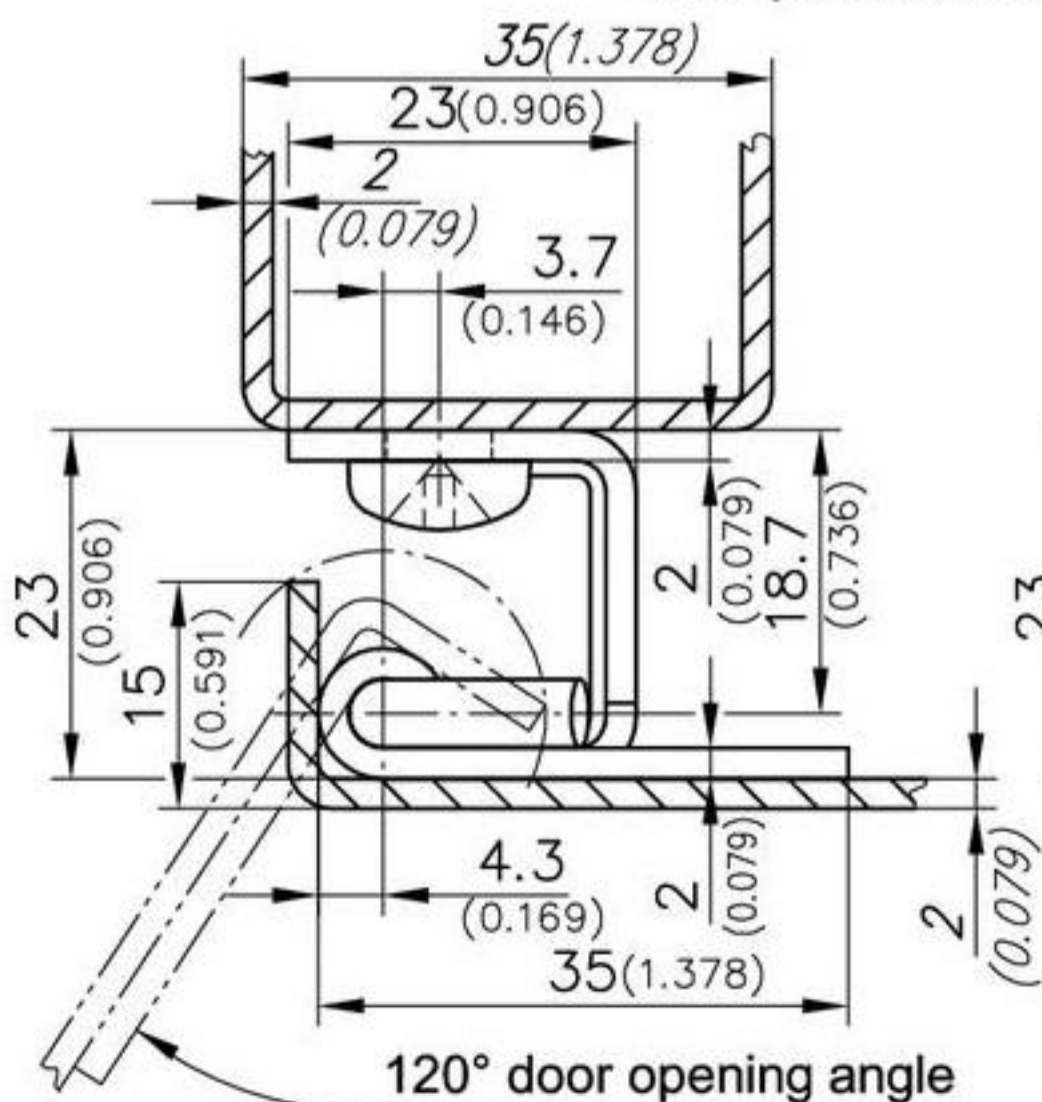
- Concealed
- Opening angle 120°
- Two different fastenings on the door:
 1. Door part to be weld-on on the door leaf.
 2. Door part to be weld-on on the door bending.
- RH and LH application.
- Frame part: screw-on e.g. cross recessed raised cheese head screw M6 DIN-EN-ISO 7045.

Material:

- **Door part:** steel, not plated
- **Frame part:** steel, zinc plated
- **Pin:** steel, zinc plated



Example of use turned by 180°



Version
a) Hinge
b) Hinge

Part No.
216-9008
216-9013