

4-140 Concealed Hinge Pr03 120°

Door bending 26mm for surface mounted door

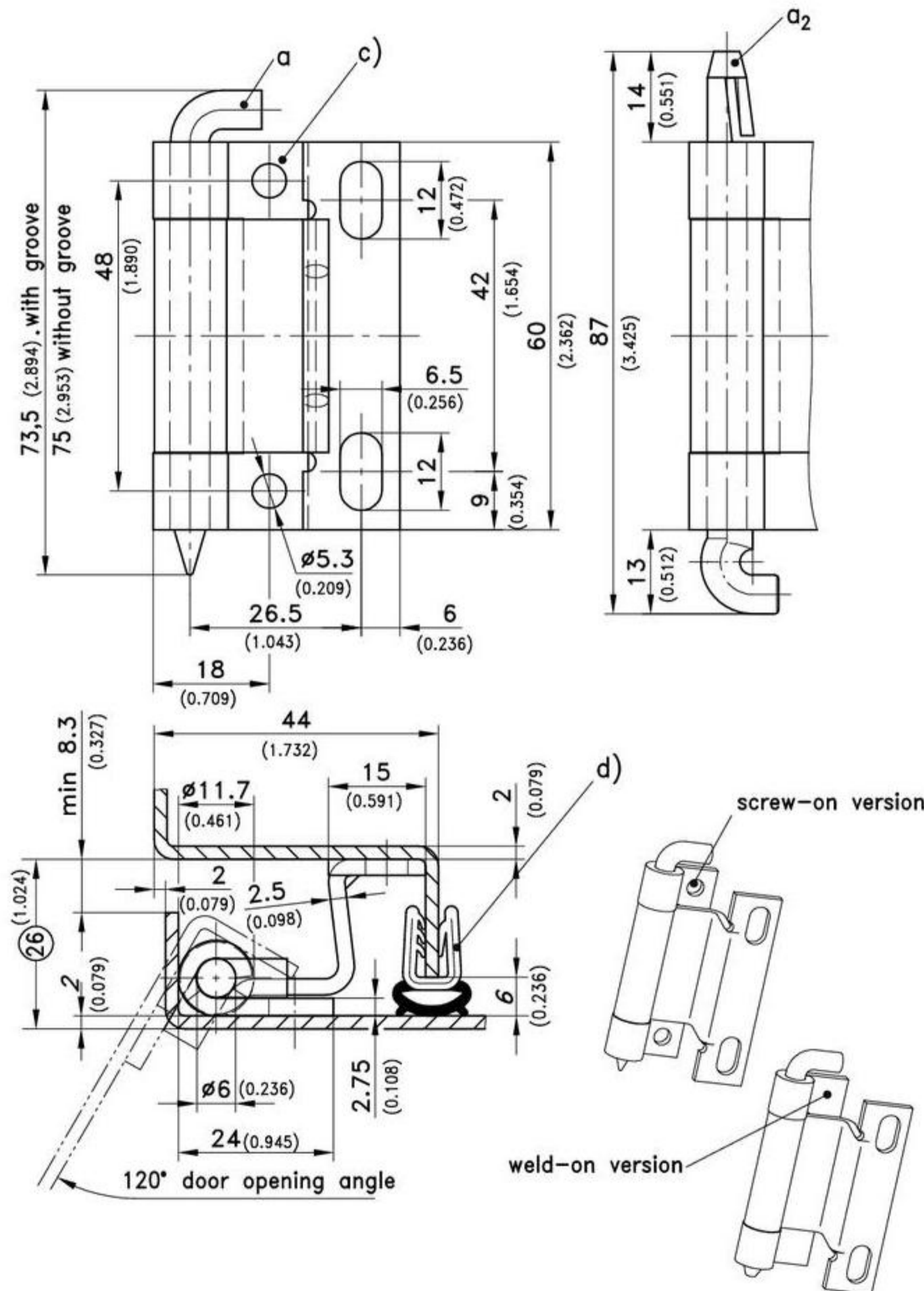


120° Concealed Hinge for surface mounted door

- RH or LH application.
- The hinge can also be supplied with a self-securing POM pin which can be mounted upside-down for very short enclosures.
- Door part: screw-on or weld-on.
- Frame part: Screw-on.

Material:

- **Frame part:** steel, zinc plated
- **Door part:** steel, not plated a) and a1)
- **Pin:** steel, zinc plated a2)
- **Pin:** POM natural



120° Hinge, door bending 26	door part screw-on	door part weld-on	see page
a) Pin without groove	216-9004	216-9029	
a1) Pin with groove for retaining ring	216-9012	216-9028	
a2) Pin POM self-securing	216-9007	216-9030	
Please order separately:			
b) Retaining ring DIN 6799 RS4 for versions a1)	800-0137	800-0137	
Stainless steel version			10.61
c) Door part like roll $\phi 6$			06.44
d) i.e. Clip-On Profiles		209-0201	07.19