

## 4-130 Concealed Hinge Pr03 120°

Door bending 20mm for surface mounted door

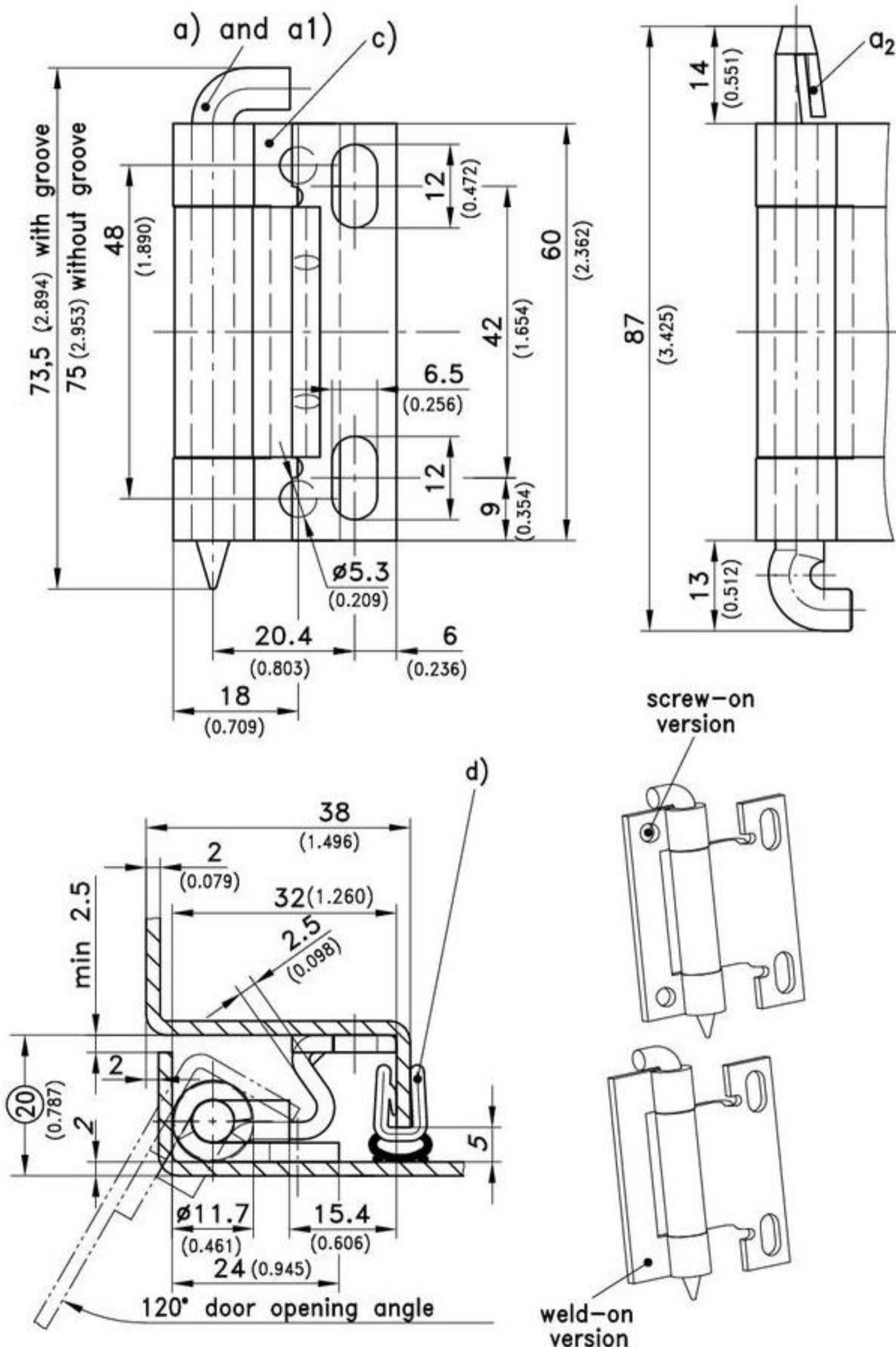


120° concealed hinge for surface mounted door

- RH or LH application.
- The width of the door part allows for easy spot welding. The hinge can also be supplied with a self-securing DELRIN pin which can be mounted upside-down for very short enclosures.
- Door part screw-on or weld-on.
- Frame part: Screw-on.

**Material:**

- **Frame part:**  
steel, zinc plated
- **Door part:**  
steel, not plated  
a) and a1)
- **Pin:**  
steel, zinc plated  
a2)
- **Pin:**  
POM natural



120° Hinge, door bending 20	door part screw-on	door part weld-on	see page
a) Pin without groove	216-9003	216-9024	
a1) Pin with groove for retaining ring	216-9011	216-9025	
a2) Pin POM self-securing	216-9006	216-9026	
<b>Please order separately:</b>			
b) Retaining ring DIN 6799 RS4 for versions a1)	800-0137	800-0137	
c) Door part like roll Ø6			06.44
d) i.e. Clip-On Profiles	209-0205	209-0205	07.19
Stainless steel version			10.58