



6-060 Wire catch

Polyamide

Wire-Catch for cable management inside cabinets.

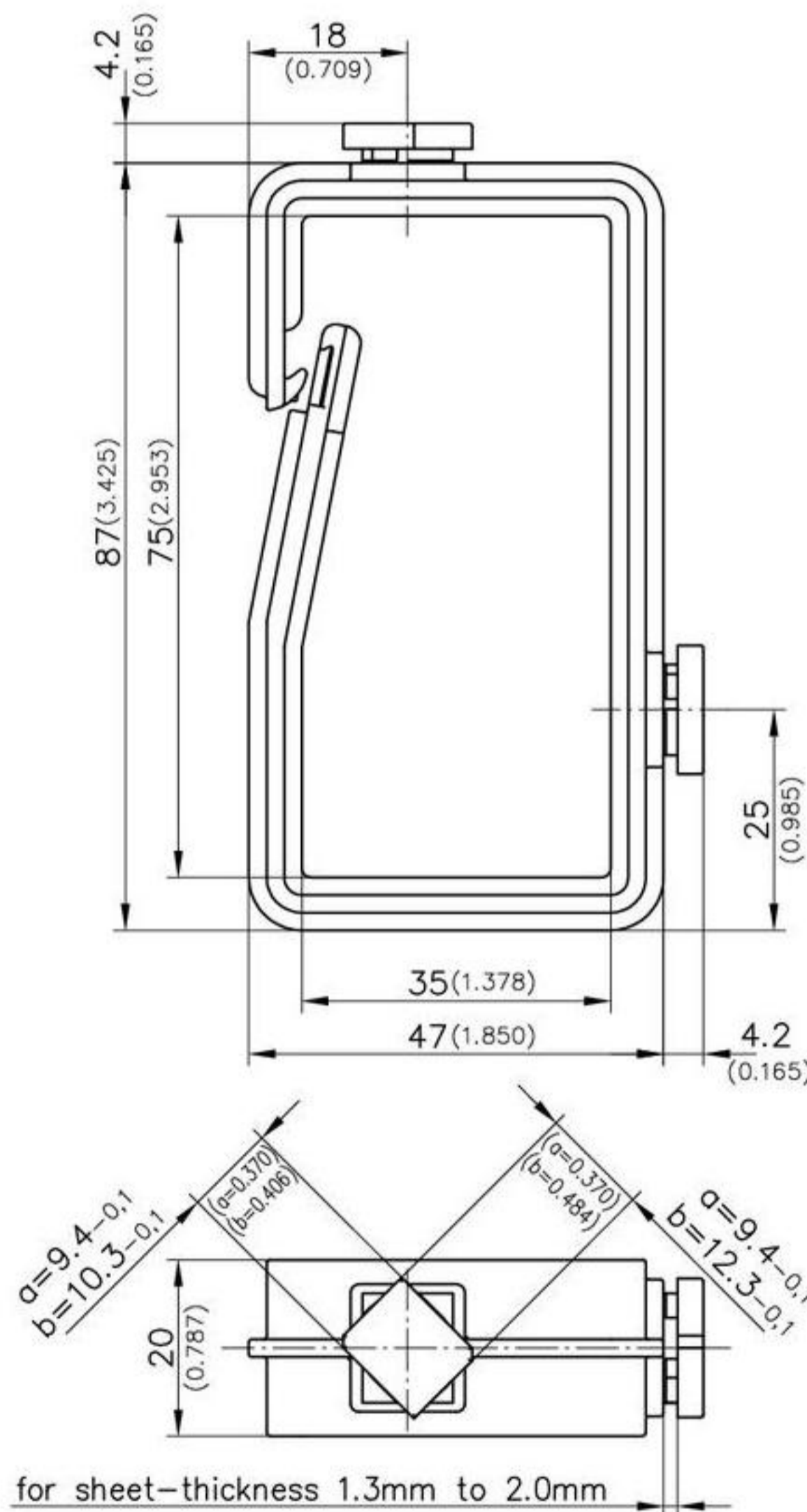
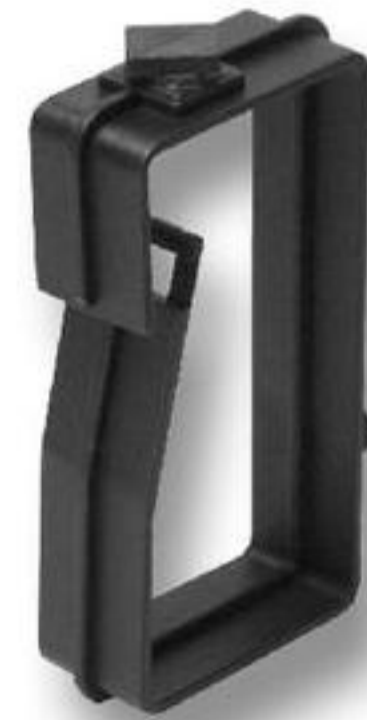
- The Wire-Catches can be fitted onto pre-punched channels/profiles.
- Time-saving installation.
- Automatic, built-in catch device to prevent widening.

Advantages:

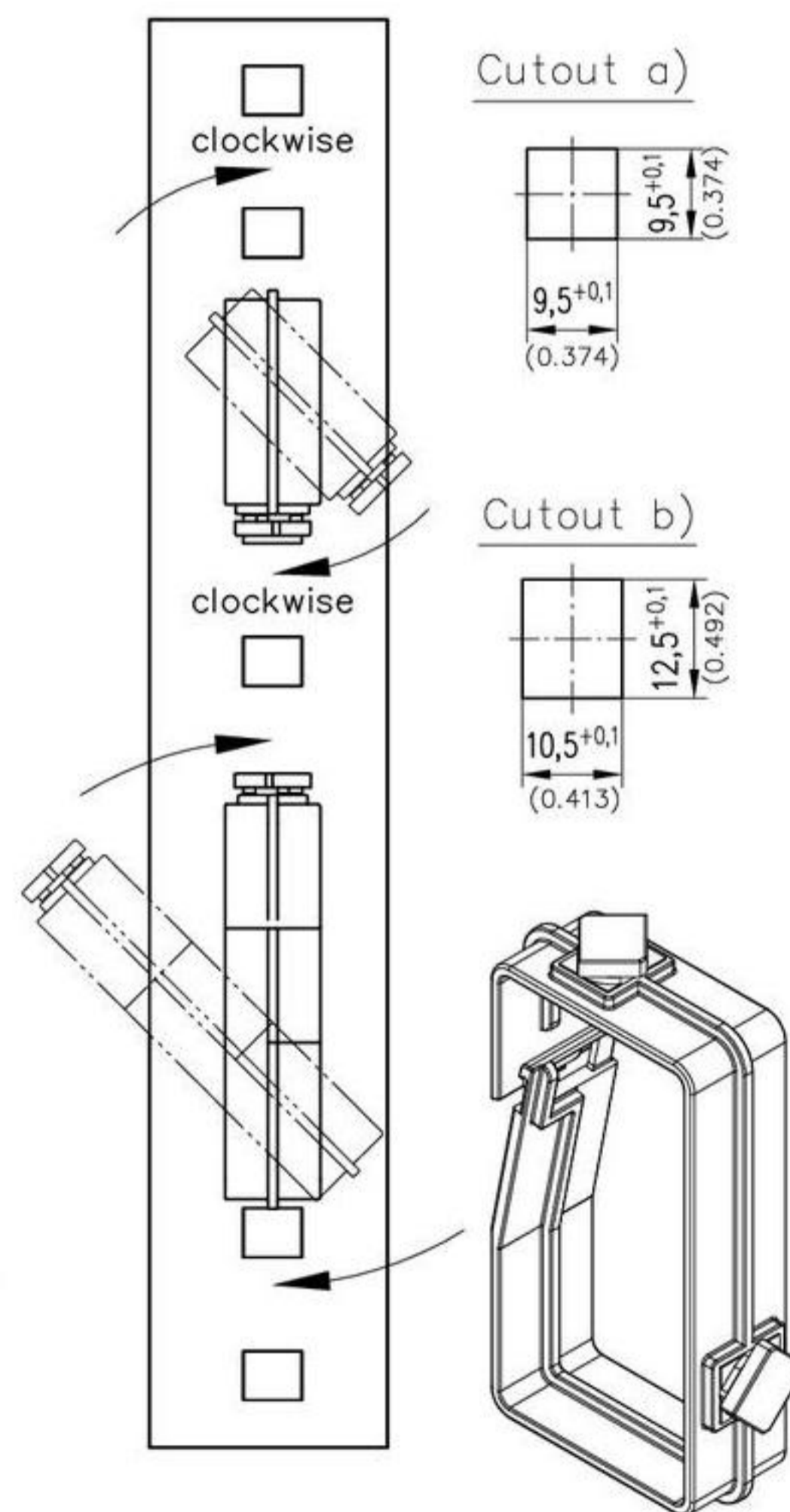
- Easy installation in a suitable square hole by turning 45°.
- The jamming of the bow parts in the range of the opening when the cable support is filled.
- In the end this increases the stability and possibly avoids a breaking.
- **Installation:** Enter the wire-catch in an angle of about 45° into the cutout and turn 45° clockwise. At this end position the special shape makes the wire-catch fixed in the cutout.

Material:

PA, black



Example of application



Version	Part No.
a) Wire catch 9,5x9,5	214-0106.50-00013
b) Wire catch 12,5x10,5 (as drawn)	214-0105.50-00013

Other cutouts and sheet-thicknesses on request.