



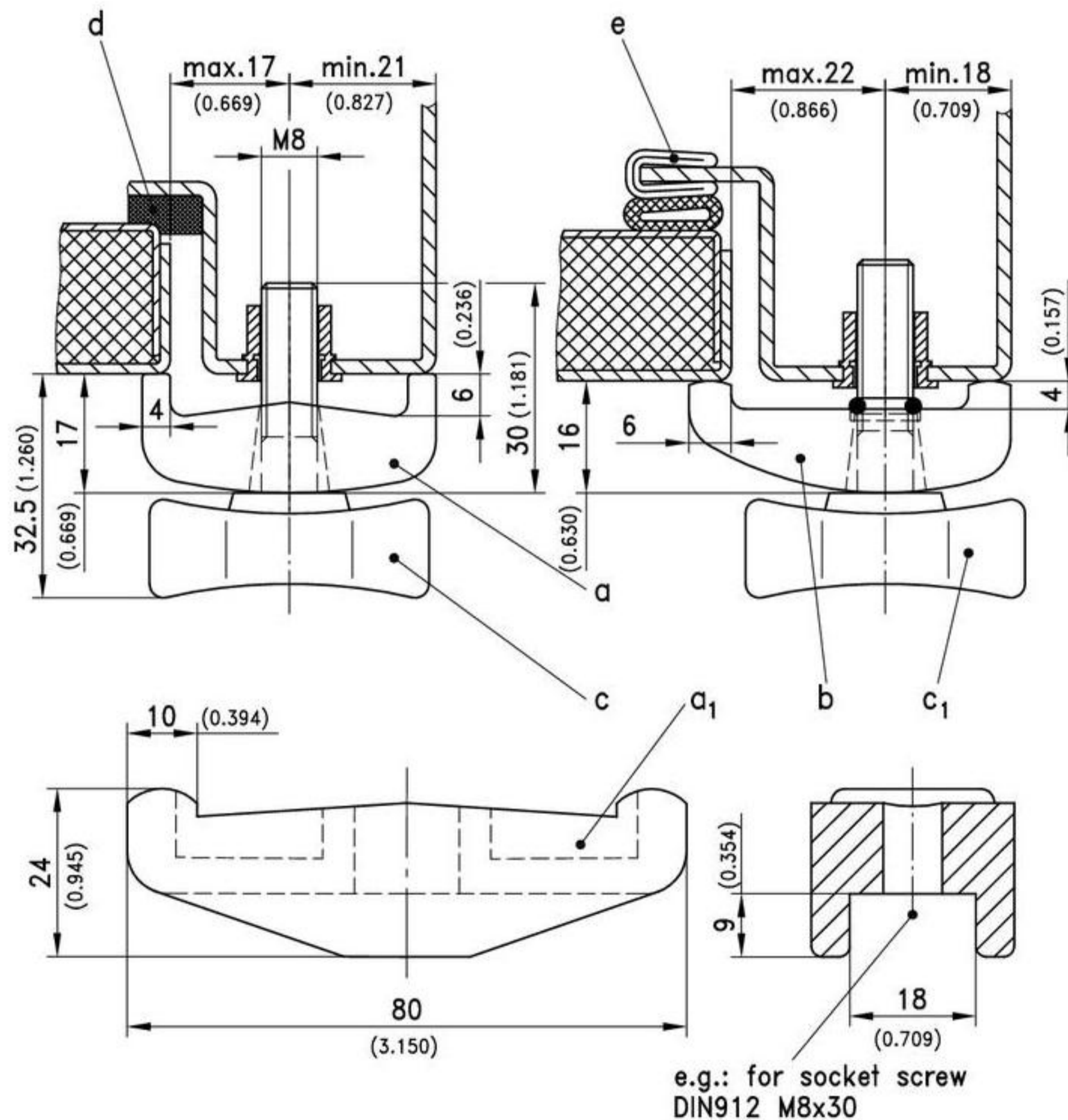
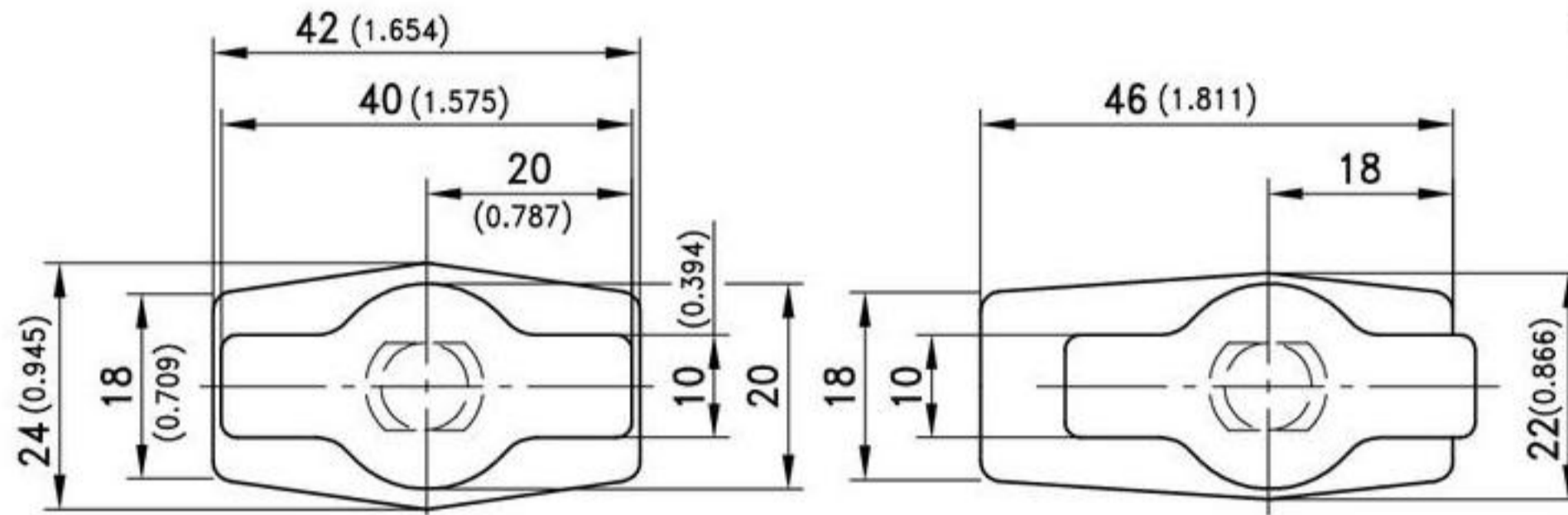
6-140 Bridge Clamp

Bridge clamp with large adjustment for machine doors.

- to c1) O-Ring for opening positioning of the bridge.
- Not for application with clamp a1).

Material:

- Bridge clamp and tommy screw: PA, black



Version	Part No.	see page
a) Bridge symmetrical	214-0101.03	
a1) Bridge symmetric and reinforced for clamping two doors / panels	214-0103.03	
b) Bridge asymmetrical	214-0102	
c) Tommy screw	214-0201.03	
c1) Tommy screw with O-ring	214-9001	
d) i.e. Rectangular Profiles		07.11
e) i.e. Clip-on Profile	209-0202	07.20