



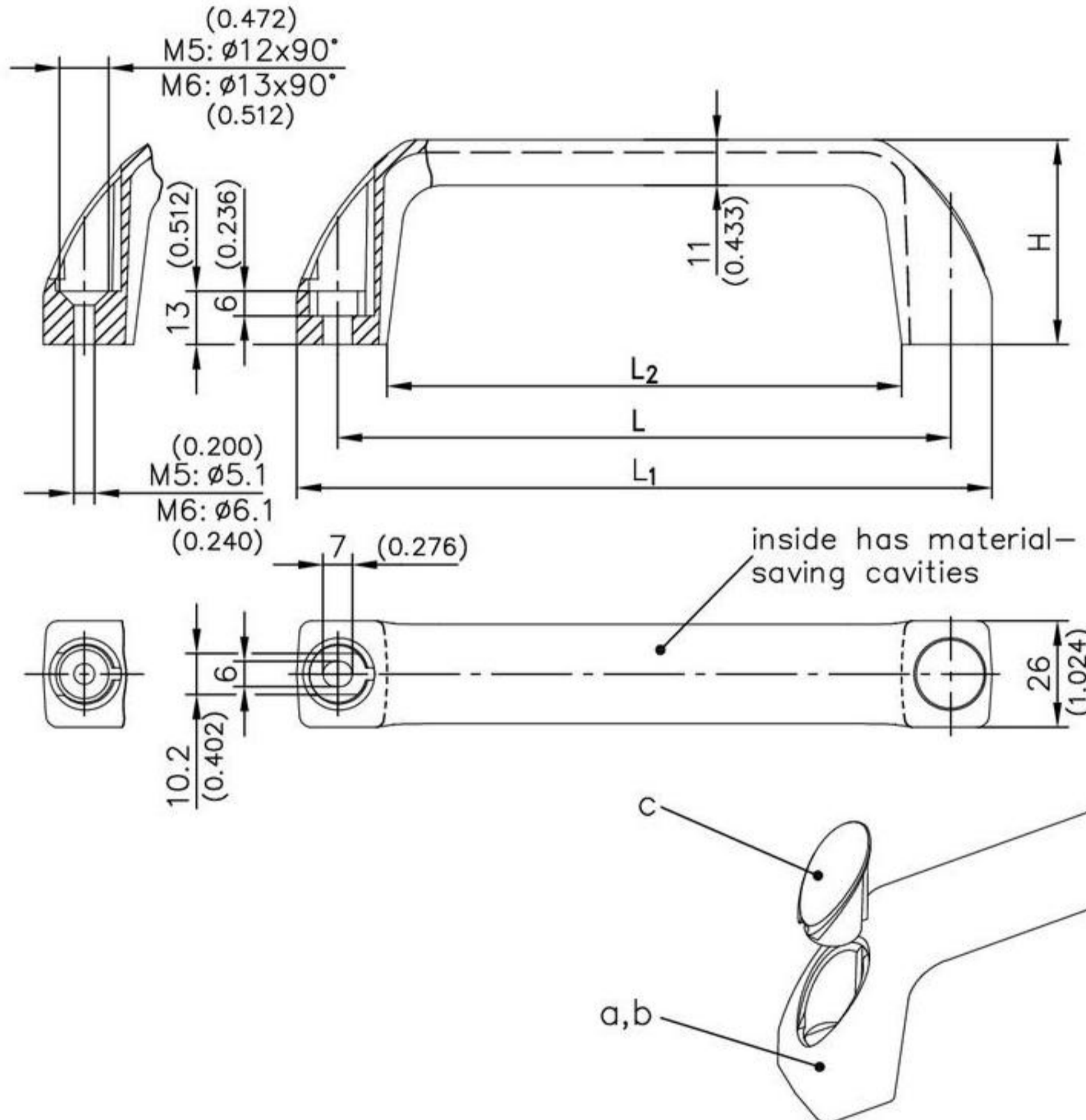
6-1000 Bridge Handle

Polyamide, with plugs

Polyamide handle, two sizes.

- Fastening by hex. socket head cap screws, or hex. screws or with countersunk screws.
- Plugs in different colors or with logo on request.

Material:
PA, black



		L	L1	L2	H	Part No.	see page
a) Polyamide handle complete, with 2 plugs							
a1) for hex. socket head cap screws / hex. screws	M6	150/ 5.906	170/ 6.693	126/ 4.961	50/ 1.969	213-9201	
a2) for countersunk screws	M5	150	170	126	50	213-9202	
a3) for hex. socket head cap screws / hex. screws	M6	122/ 4.803	142/ 5.591	98/ 3.543	50	213-9203	
a4) for countersunk screws	M5	122	142	98	50	213-9204	
a5) for countersunk screws	M6	122	142	98	50	213-9205	
a6) for hex. screws	M6	122	142	98	41/1.614	213-9206	
a7) for countersunk screws	M5	122	142	98	41	213-9207	
b) Polyamide handle only (without plugs)							
b1) for hex. socket head cap screws / hex. screws	M6	150	170	126	50	213-0205.03-00000	
b2) for countersunk screws	M5	150	170	126	50	213-0206.03-00000	
b3) for hex. socket head cap screws / hex. screws	M6	122	142	98	50	213-0208.03-00000	
b4) for countersunk screws	M5	122	142	98	50	213-0209.03-00000	
b5) for countersunk screws	M6	122	142	98	50	213-0210.03-00000	
c) Plugs (2 plugs per handle)						213-0207.03-00000	
Screws							