



6-1380 Hinged Recessed Handle

zinc die

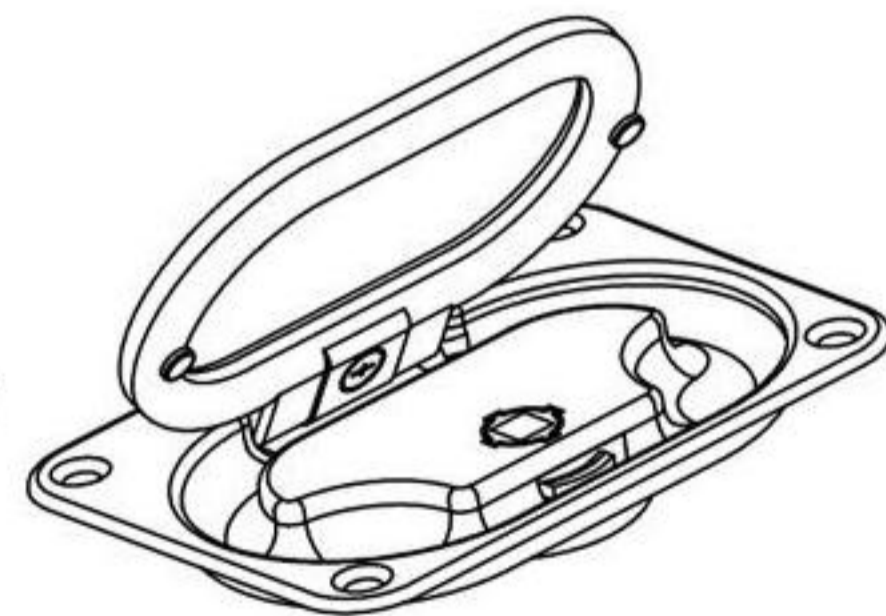
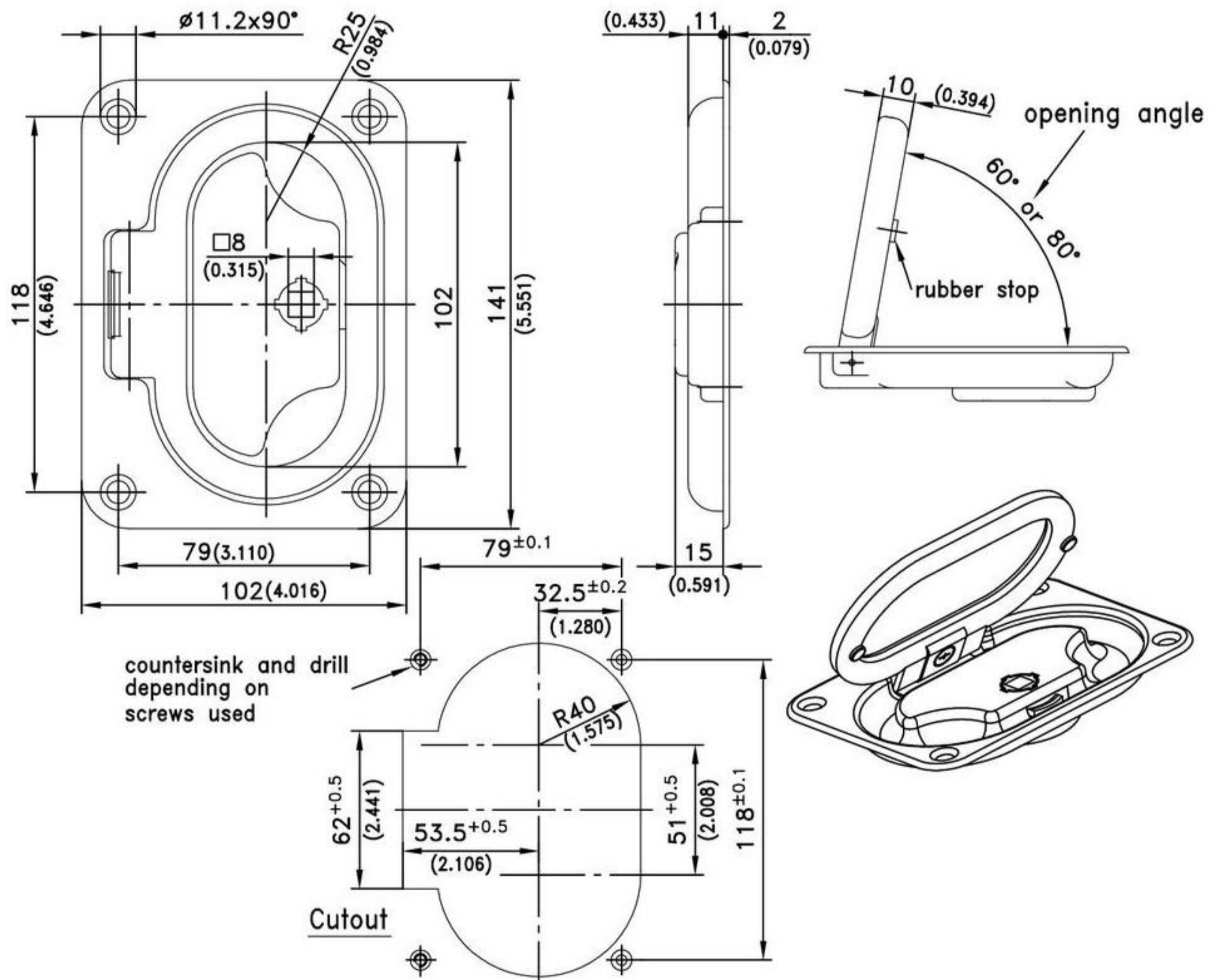
Flush-mounted hinged, recessed handle. Zinc die with or without lock and opening angle about 60° or 80°.

- A low overall depth!
- Designed for vertical or horizontal uses.
- The vibration proof construction makes it possible to use this flush-mounted handle also in special areas such as road vehicles and railcars/ wagons.
- Unauthorized activation of the recessed hinged handle is prevented by an integrated safety Quarter-Turn, which is operated by means of fastener key. This security feature is enhanced by construction, which also prevents accumulation of dirt due to the completely closed housing surface.

- Weight 510g
- Material properties on request.

Material:

- **Hinged recessed handle**
zinc die, chrome plated or black coated



	see page	
Hinged recessed handle, chrome plated	Opening angle 60°	Opening angle 80°
with lock	213-9101.00-00060	213-9101.00-00080
without lock	213-9001.00-00060	213-9001.00-00080
Hinged recessed handle, black coated		
with lock	213-9102.00-00060	213-9102.00-00080
without lock	213-9002.00-00060	213-9002.00-00080
Key, zinc die		