

## 6-1410 Dish Handle

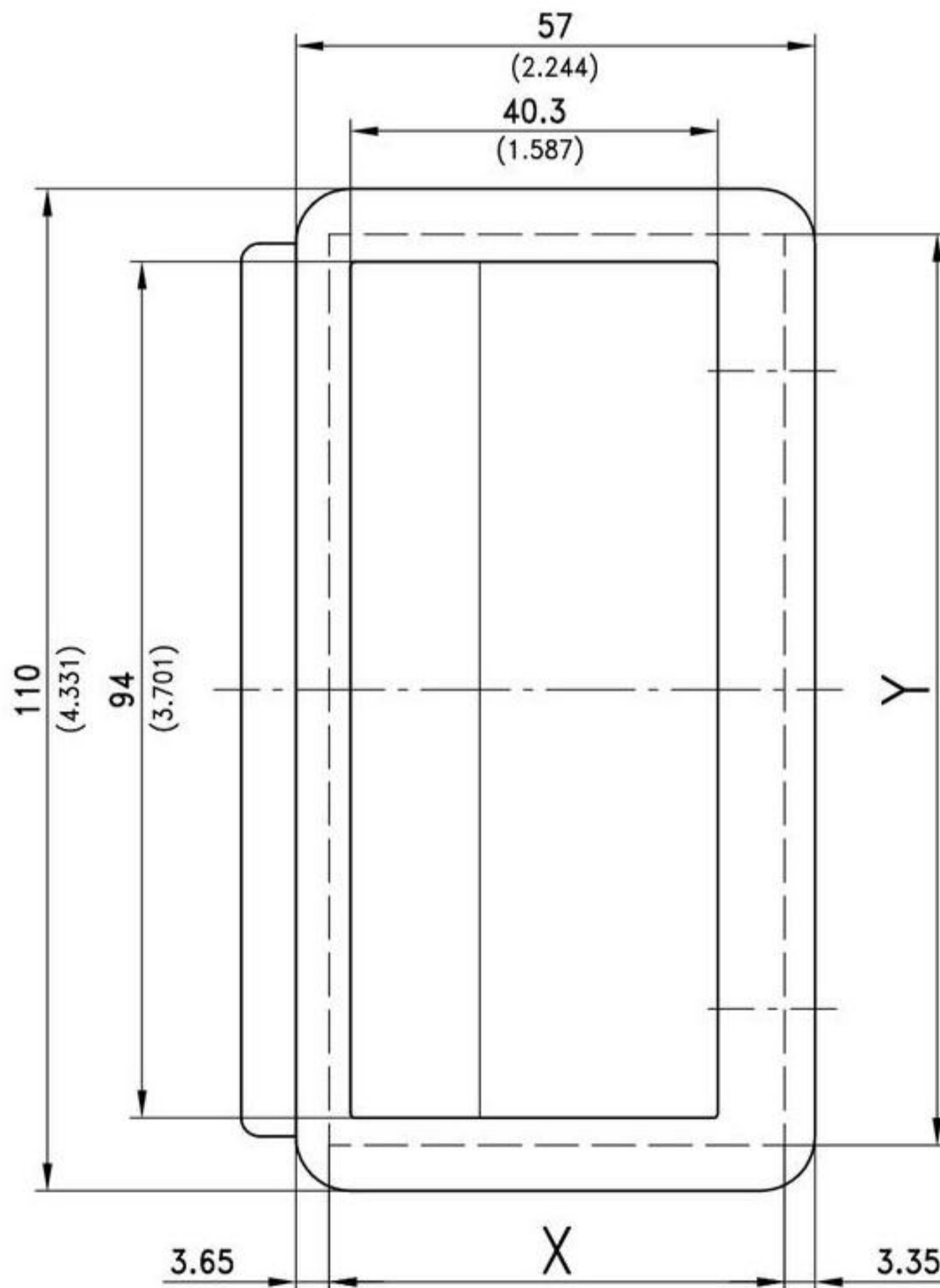
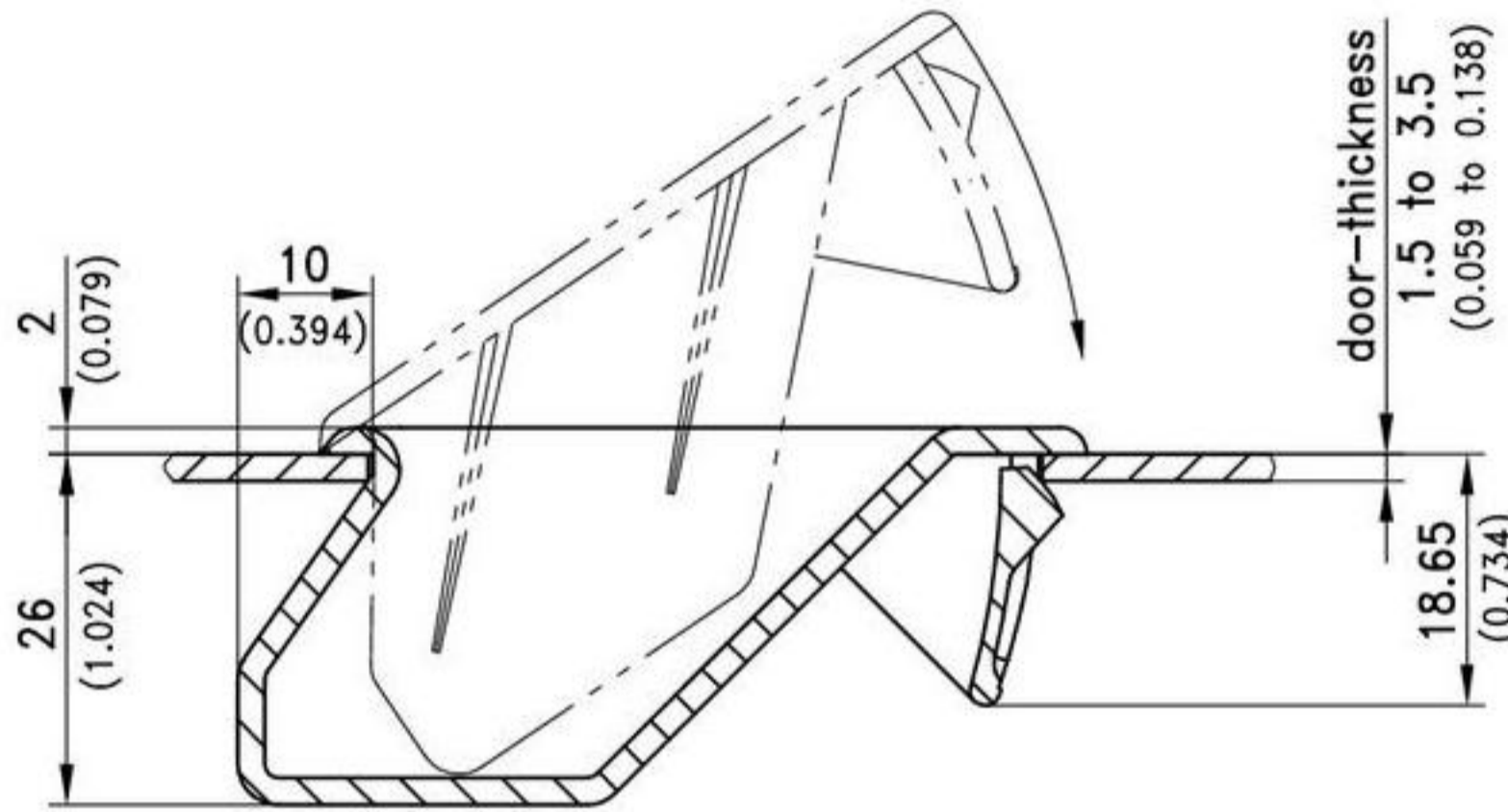
Polyamide



Dish Handle, clip-in for door-thickness  
1.5 to 3.5mm (0.059 to 0.138)

**Material:**  
• PA, black

- The dimensions of the cutouts for different door-thicknesses are indicated in the table mentioned below.



Dish Handle

Part No.

213-0705.51

Door thickness in mm

Dimensions of cutout in mm

X

Y

1,5-2,0

49,6+0,2

100-0,5

2,0-3,2

50,3+0,3

100-0,5

3,2-3,5

51+0,3

100-0,5