

6-1107 Finger Pull Handle

aluminium

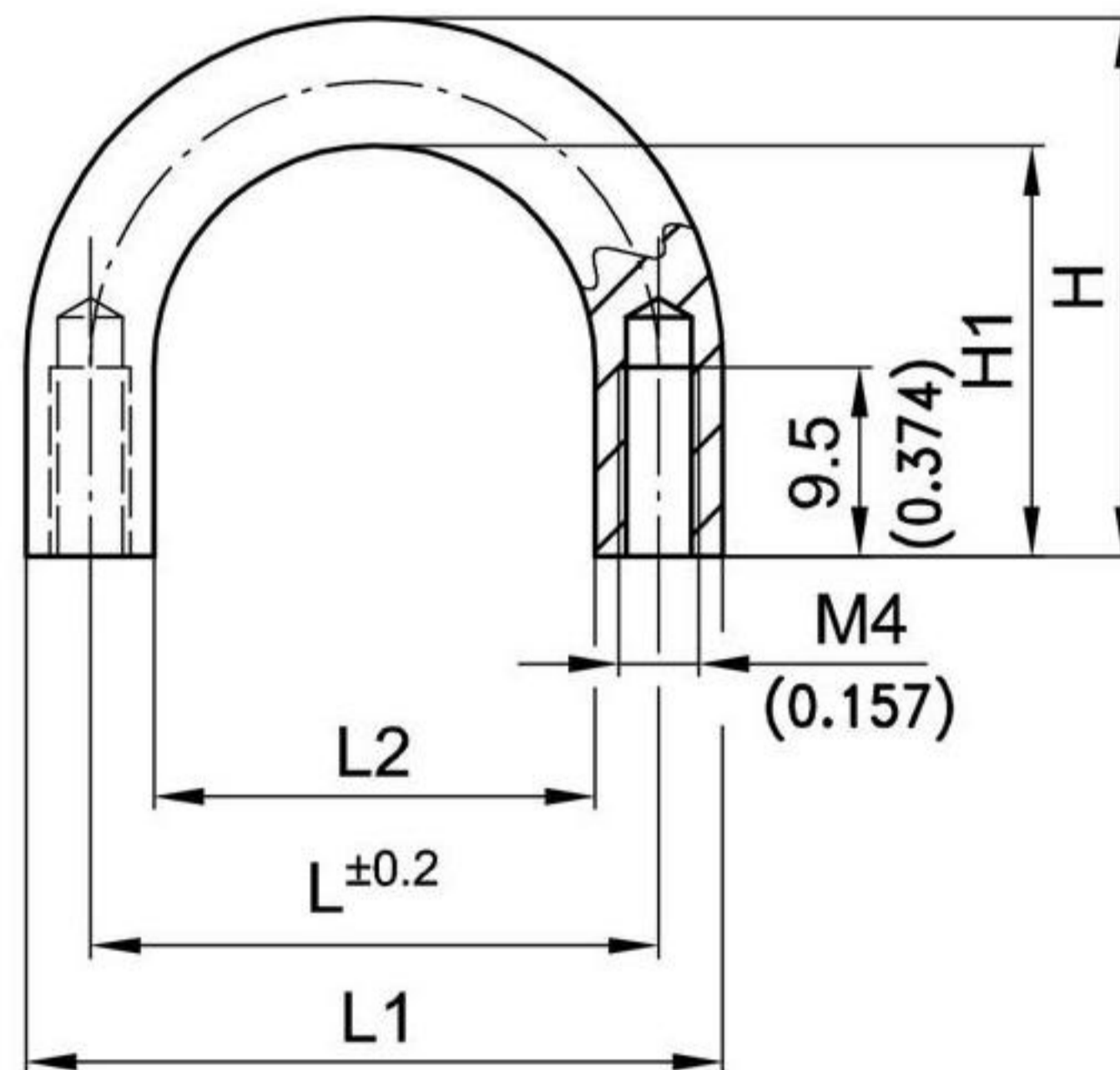
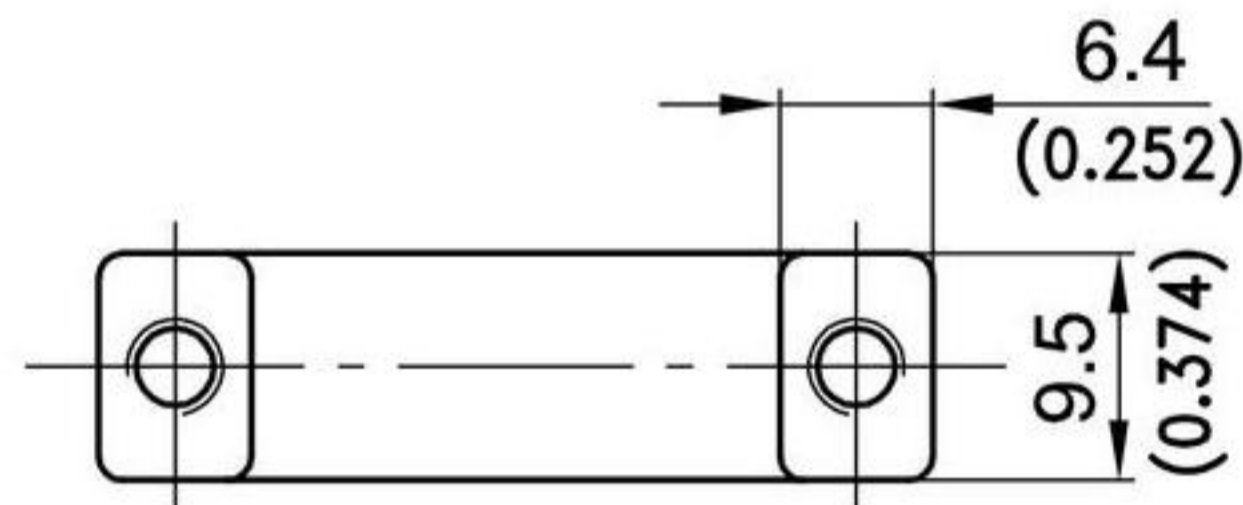


Solid aluminium handle, modern industrial design.

- This Handle is suitable for the computer industry, 19" technology, insertions and equipments and other applications.
- Designed for vertical or horizontal uses.
- For screws M4.

Material:

- aluminium, anodized natural (silver)
- Other surfaces: on request



Finger Pull Handle	L	L1	L2	H	H1	Aluminium anodized
mm / inch	28.5 / 1.122	35 / 1.378	22.2 / 0.874	27 / 1.063	20.5 / 0.807	213-0510.96-00285