

6-1031 Bridge Handle

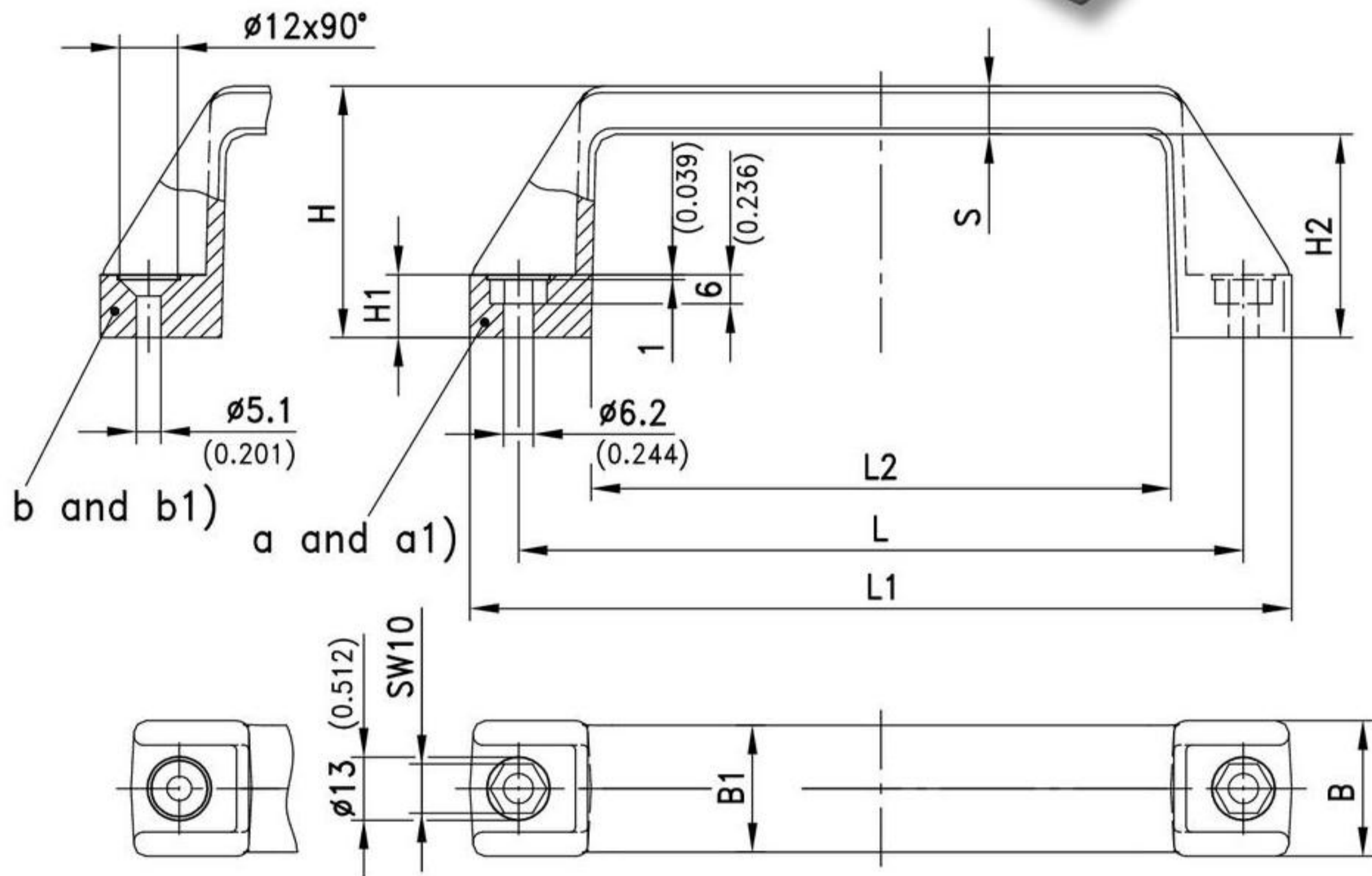
Polyamide



Polyamide handle, two sizes.

Material:

- Fastening with cap screws or hexagon head screws (version a and a1) or with countersunk head screws (version b and b1).
- New versions please refer to page 08.4.



Version a) with hexagon socket M6										see page
L	L1	L2	B	B1	H	H1	H2	S	Part-No.	
122/4.803	142/5.591	98/3.858	26/1.024	24/0.945	40/1.575	12/0.472	32/1.260	8/0.315	213-0201.03	

Version a1) with hexagon socket M6									
L	L1	L2	B	B1	H	H1	H2	S	Part-No.
150/5.906	170/6.693	120/4.724	28/1.102	26/1.024	52/2.047	13/0.512	42/1.654	10/0.394	213-0203.03

Version b) with countersunk M5									
L	L1	L2	B	B1	H	H1	H2	S	Part-No.
122/4.803	142/5.591	98/3.858	26/1.024	24/0.945	40/1.575	12/0.472	32/1.260	8/0.315	213-0202.03

Version b1) with countersunk M5									
L	L1	L2	B	B1	H	H1	H2	S	Part-No.
150/5.906	170/6.693	120/4.724	28/1.102	26/1.024	52/2.047	13/0.512	42/1.654	10/0.394	213-0204.03

Screws	09.5
--------	------