

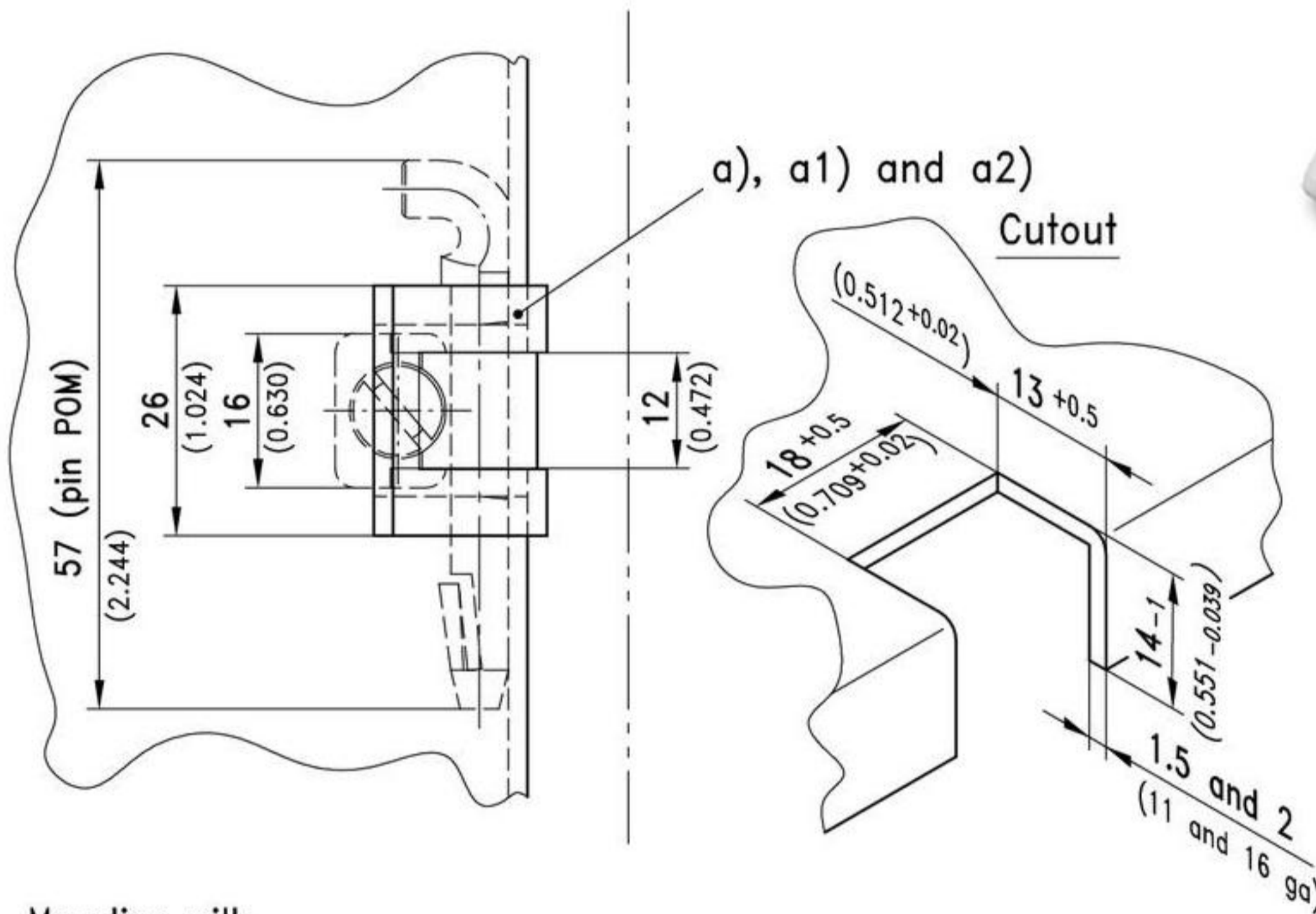
### 7-133 Hinge Pr05 180°

stainless steel AISI 316, Single cabinet, door bending 16mm, for surface mounted door

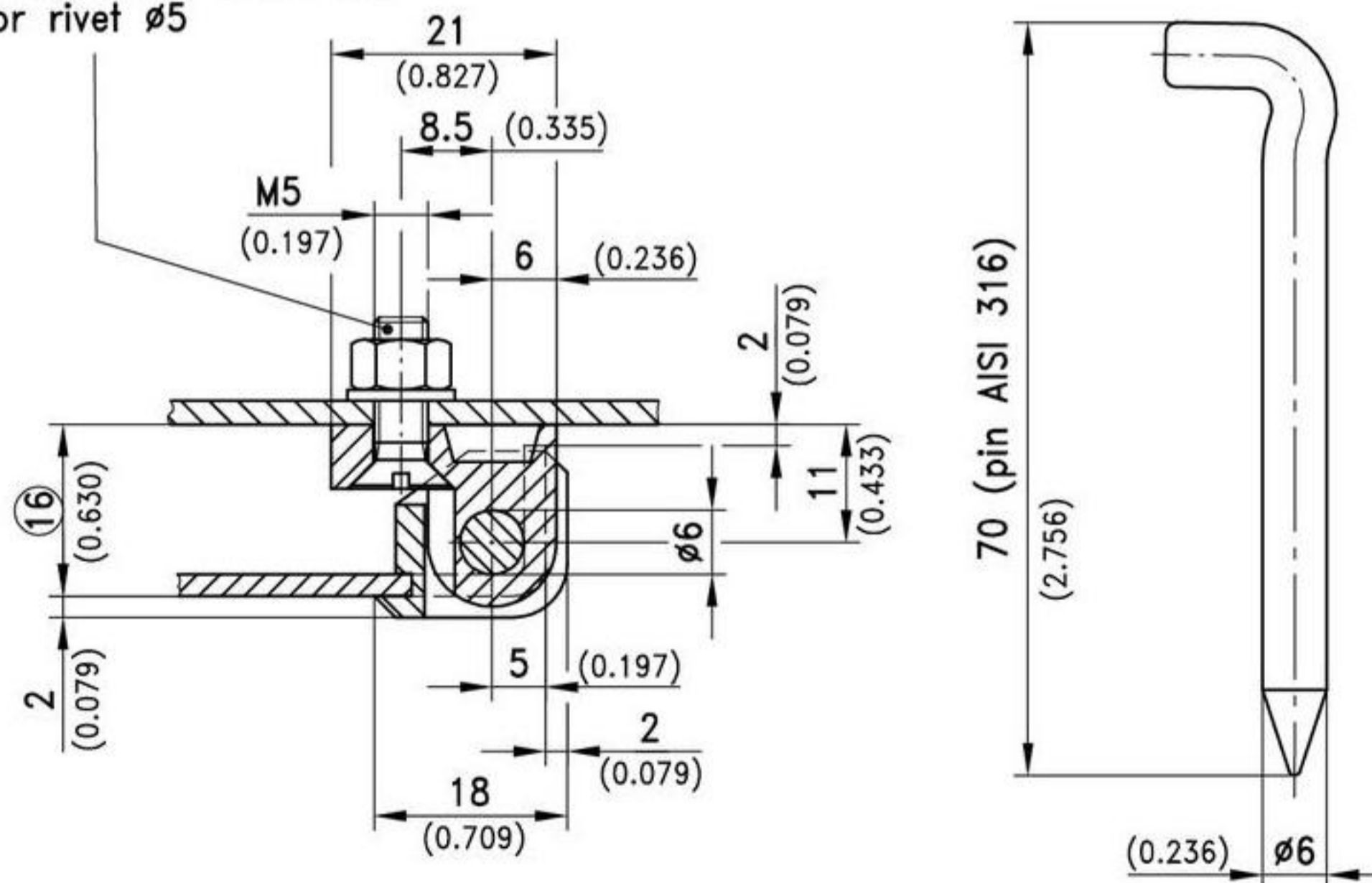


180° hinge, RH or LH application.  
• The POM pin is self-securing.

**Material:**  
• **Hinge Parts:**  
stainless steel  
• **Pin:**  
POM natural or stainless steel



Mounting with  
countersunk screw M5  
or rivet ø5



| 180° Hinge   | Part No. | see page |
|--|----------|----------|
| a) for door thickness 1.5mm/0.059 and pin-length 70mm/2.756 AISI 316 | 212-9704 |          |
| a1) for door thickness 2mm/0.079 and pin-length 70mm/2.756 AISI 316  | 212-9713 |          |
| a2) for door thickness 2mm/0.079 and pin-length 57mm/2.244 POM       | 212-9703 |          |