

7-136 Hinge Pr05 180°

stainless steel AISI 316, Single cabinet, door bending 25mm, for surface mounted door

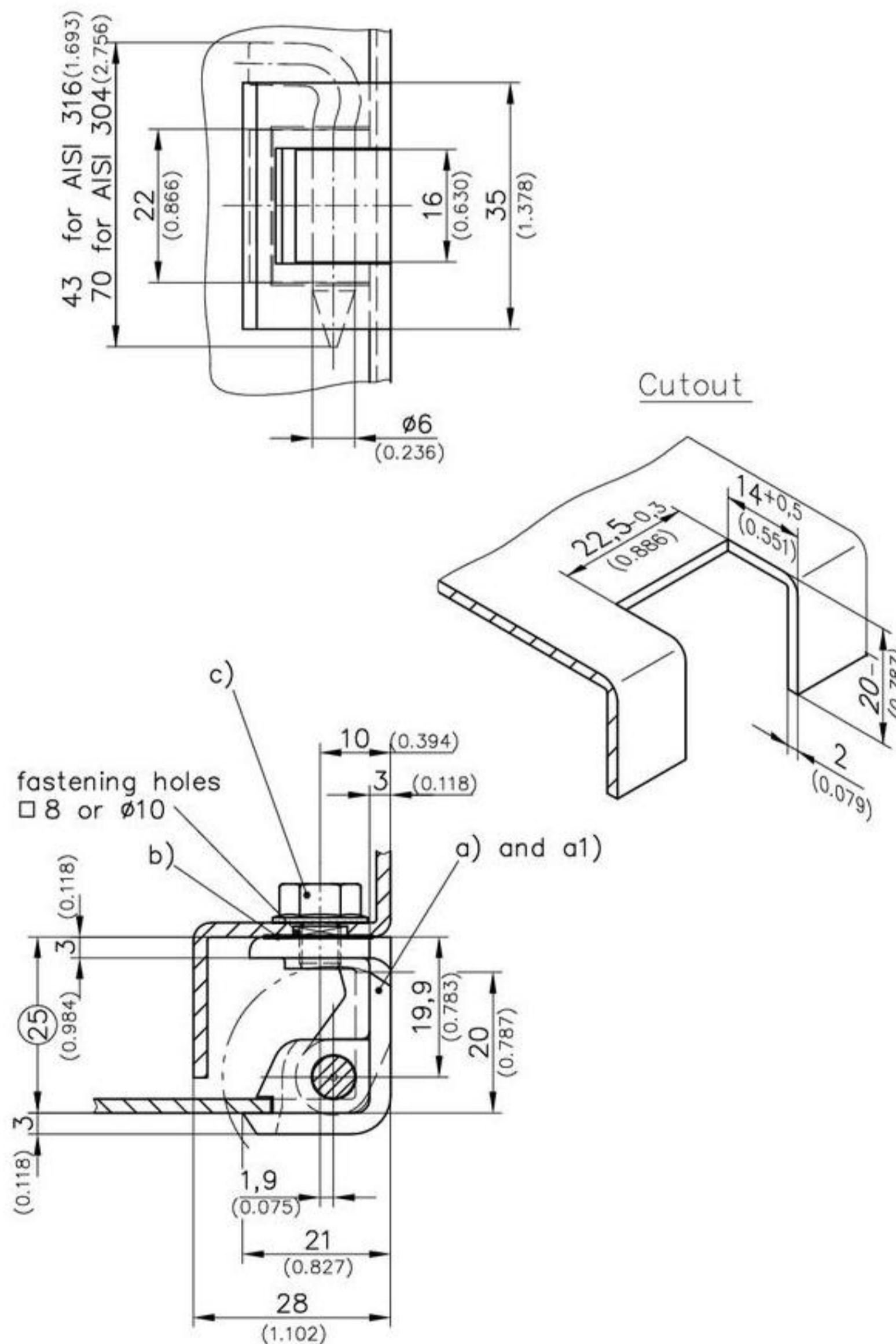


180° hinge for surface mounted door.

- RH and LH application.
- The frame part has a M6 threaded square stub for installation from inside.
- The frame part has a reinforcement rib.

Material:

- **Frame, bridge and pin:**
stainless steel



180° Hinge	Part No.	see page
a) for door thickness 2mm/0.079 and pin-length 43mm/1.693 AISI 304	212-9712	
a1) for door thickness 2mm/0.079 and pin-length 70mm/2.756 AISI 316	212-9715	
b) Flat external seal for IP65	212-0425	
c) Selflocking hexagon screw M6x6		09.4