

## 7-132 Hinge Pr05 180°

stainless steel AISI 316, Single cabinet, door bending 20mm, for surface mounted door

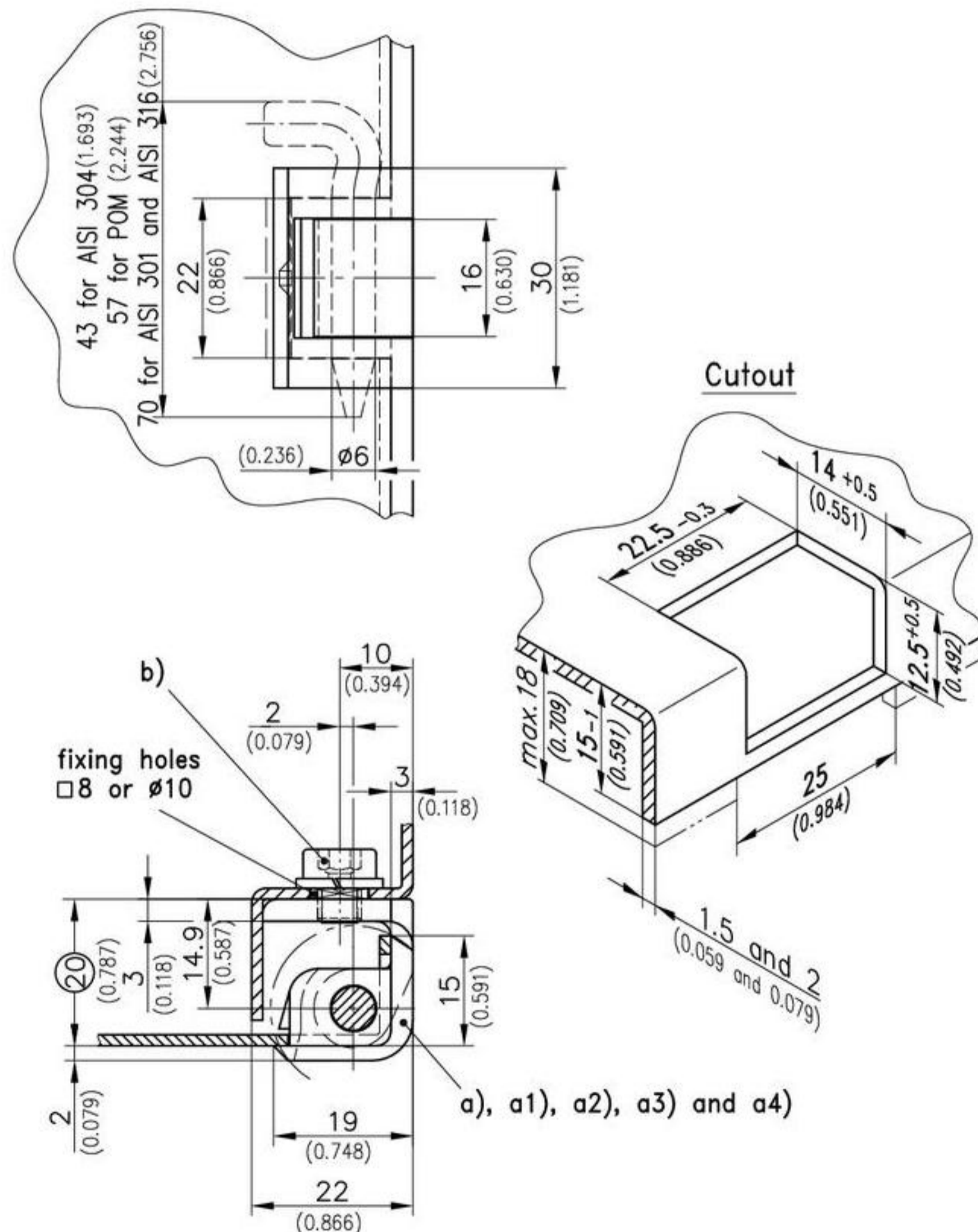


180° hinge for surface mounted door.

- RH or LH application.
- The frame part has a M6 threaded square stub for installation from inside.
- Closed cutout provides a stronger bending.

**Material:**

- **Frame part and door part:**  
stainless steel
- **Pin:**  
stainless steel or POM



180° Hinge	Part No.	see page
a) for door thickness 1.5mm/0.059 and pin-length 70mm/2.756 AISI 301	212-9707	
a1) for door thickness 1.5mm/0.059 and pin-length 70mm/2.756 AISI 316	212-9716	
a2) for door thickness 2mm/0.079 and pin-length 70mm/2.756 AISI 316	212-9714	
a3) for door thickness 2mm/0.079 and pin-length 43mm/1.693 AISI 304	212-9705	
a4) for door thickness 2mm/0.079 and pin-length 57mm/2.244 POM	212-9706	
b) Serrated screw	202-0606	09.5