

## 7-135 Hinge Pr05 180°

stainless steel AISI 316, Adjacent cabinets, door bending 20mm, for surface mounted door

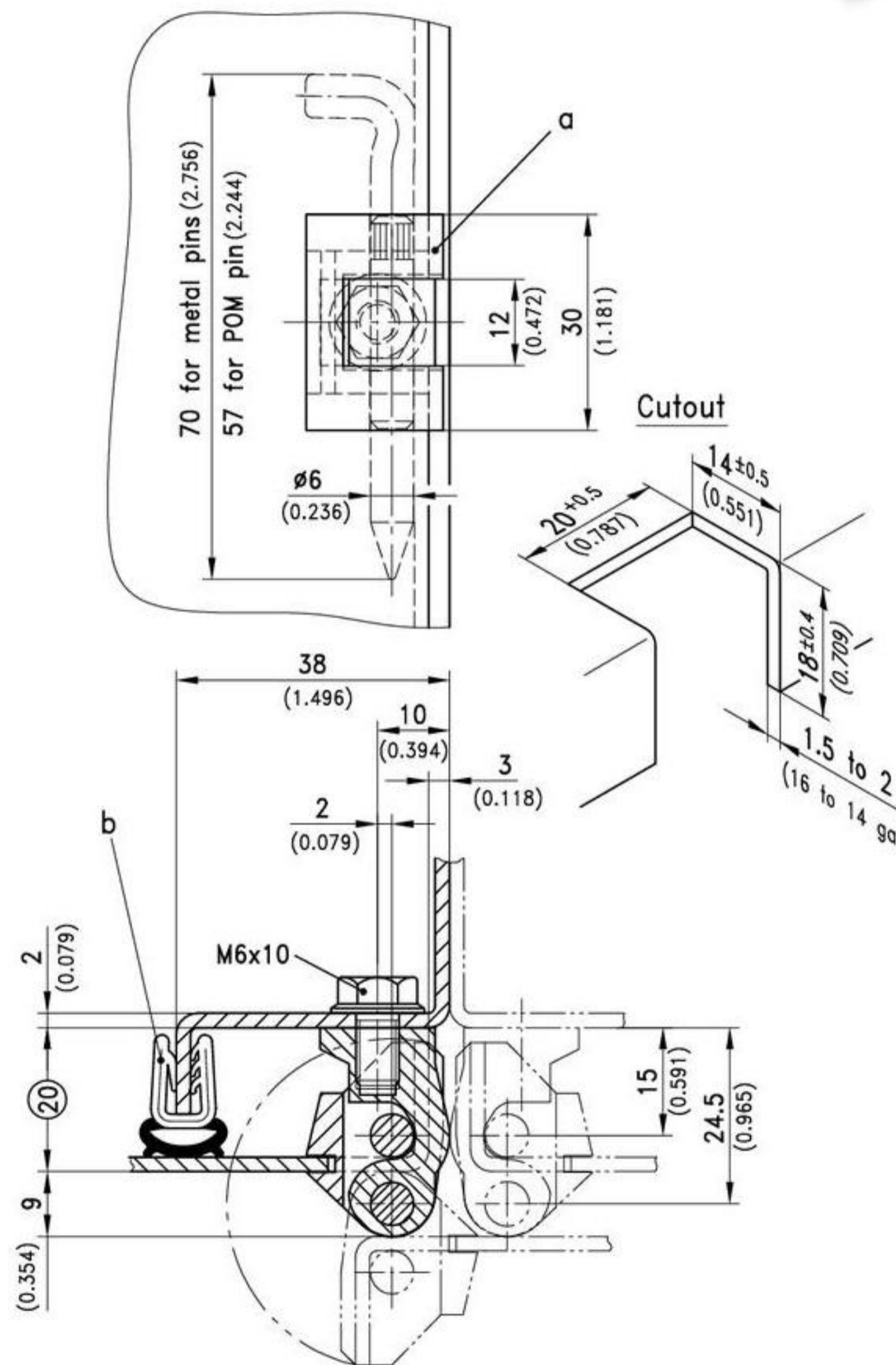


180° hinge for surface mounted door.

- RH or LH application.
- 180° opening angle even with adjacent doors.
- The POM pin is self-securing.

**Material:**

- **Hinge Parts:**  
stainless steel
- **Pin:**  
stainless steel or POM, natural



180° Hinge	Part No.	see page
a) with pin, stainless steel	212-9701	
a1) with pin, POM	212-9702	
b) e.g. Clip-on profile	209-0201	07.19

Screws

09.4