

4-182.01SL Hinge Pr05 SNAP-LINE 180°

Adjacent cabinets, door bending 25mm, surface mounted door, frame and door snap-in

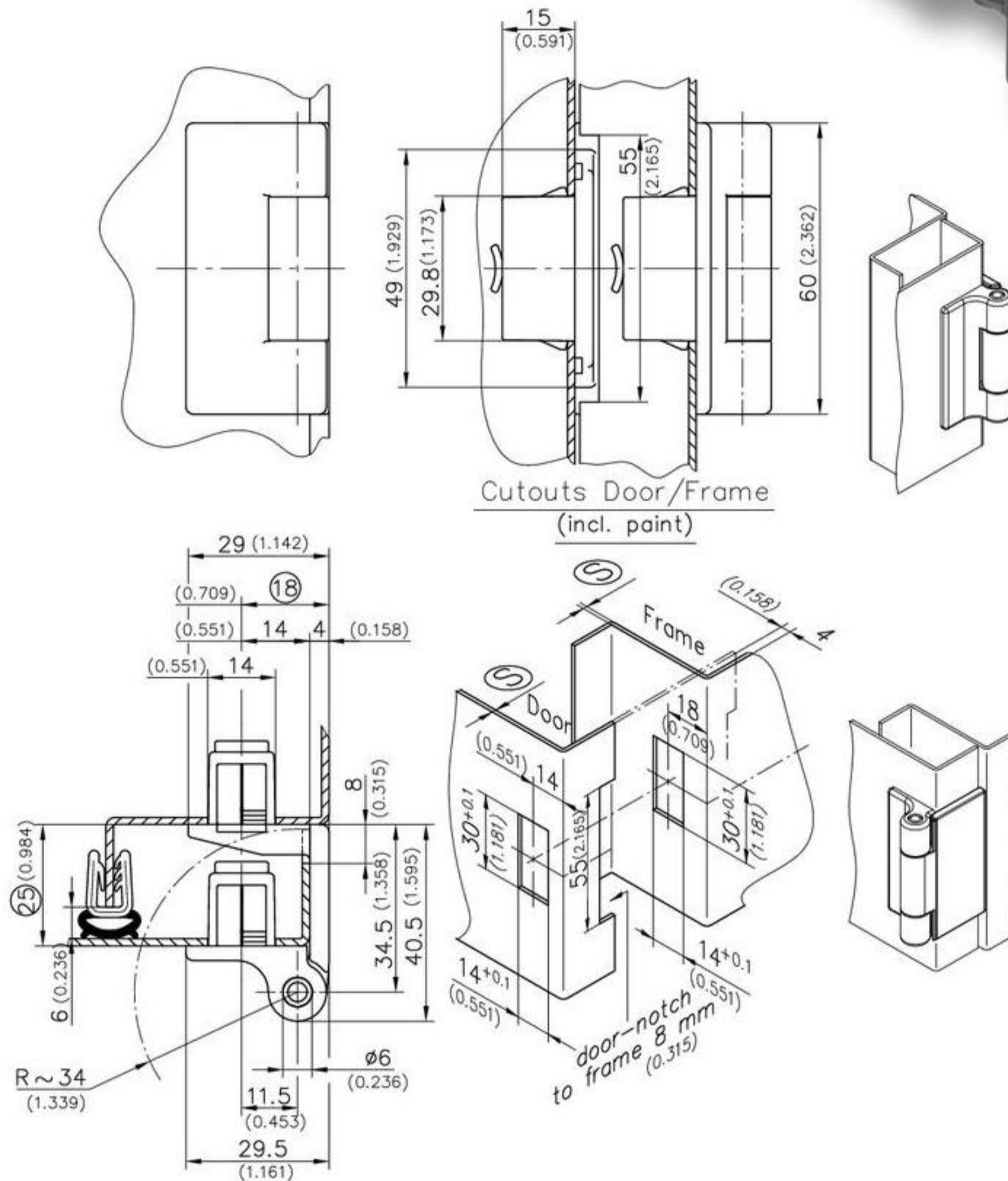


180° SNAP-LINE hinge.

- Installation of both door part and frame part by simple snap-in.
- Seal for frame-part to Frame: on request.
- Dual hook SNAP-LINE with system dimension $\textcircled{18}$: see page 01.33.
- Water and dust tight according to IP65 DIN EN 60529 by using the O-ring (not included).
- For uninstallation see page 01.79.

Material:

- **Frame part:**
zinc die, black
- **door part:**
zinc die, black
- **Snap wedges:**
sintered metal, plated
- **Pin:**
stainless steel
- **Washer:**
brass



	Material thickness Door/Frame different e.g.:	Part No.	see page
	clamping range \textcircled{S} - Door clamping range \textcircled{S} - Frame		
Hinge, snap-in	1,2 - 1,7	412-8001.00-01525	
	Material thickness Door/Frame identical e.g.		
	clamping range Door/Frame \textcircled{S}		
Hinge, snap-in	1,2 - 1,7	412-9001.00-00015	
	1,7 - 2,2	412-9001.00-00020	
	2,2 - 2,7	412-9001.00-00025	
	2,7 - 3,2	412-9001.00-00030	
	3,2 - 3,7	412-9001.00-00035	
O-ring		200-1005.00-02420	
Cover for cutout 30x14		292-0402.00-03014	01.106
Reinforcement plate for thin-walled sheets and for higher loads:		292-0701.15-01530	01.108
Tool for uninstallation		292-0306.80-02530	01.109
or		292-0301.15-00000	01.109

4-182.02SL Hinge Pr05 SNAP-LINE 180°

Single cabinets, door bending 25mm, surface mounted door, frame snap-in, door screw-on



Hinge SNAP-LINE

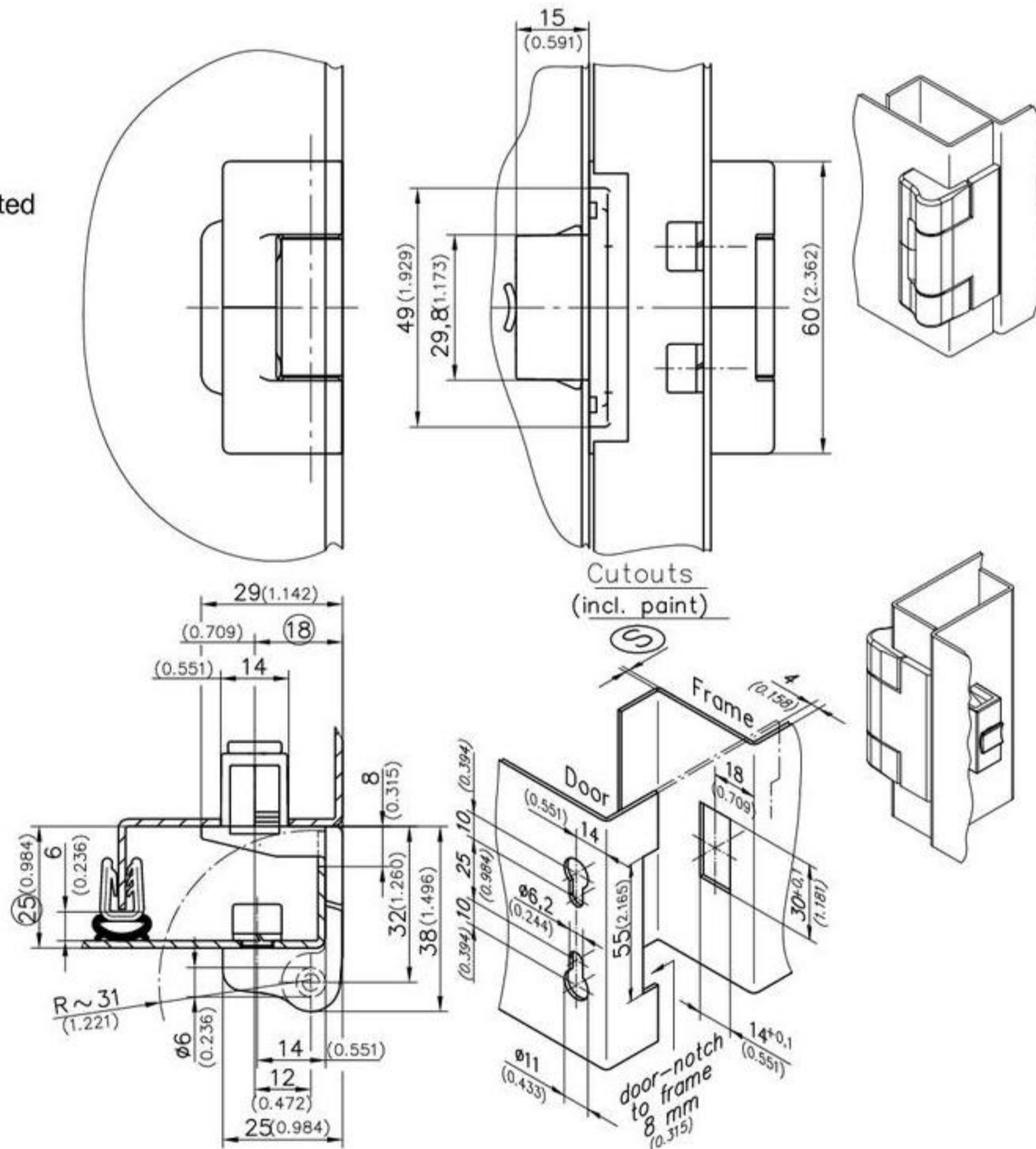
- 180° opening angle for single cabinets.
- 140° opening angle for adjacent cabinets/hinges.
- Installation of the frame-part by simple snap-in.
- Door-part see page 06.81.
- Seal for frame-part to Frame: on request.
- Dual hook SNAP-LINE with system dimension ⑱ : see page 01.33.
- Water and dust tight according to IP65 DIN EN 60529 by using the O-ring (not included).
- For uninstallation see page 01.79.

- **Pin ø6x15:**
stainless steel
- **Pin ø6x50:**
steel, zinc plated
- **Washers:**
brass, nickel plated
- **Socket cylinder screws:**
steel, zinc plated
- **Spring washers**
steel, zinc plated



Material:

- **Frame part:**
zinc die, black
- **door part:**
zinc die, black
- **Snap wedge:**
sintered metal, plated



	clamping range ⑳ -	Part No.	see page
	Frame		
Hinge	1,2 - 1,7	412-9002.00-00015	
	1,7 - 2,2	412-9002.00-00020	
	2,2 - 2,7	412-9002.00-00025	
	2,7 - 3,2	412-9002.00-00030	
	3,2 - 3,7	412-9002.00-00035	
2 socket cylinder screws M6x10 DIN7984 and 2 spring washers DIN7980 are included.			
O-ring		200-1005.00-02420	
Cover for cutout 30x14		292-0402.00-03014	01.106
Reinforcement plate for thin-walled sheets and for higher loads:		292-0701.15-01530	01.108
Tool for uninstallation		292-0306.80-02530	01.109
or		292-0301.15-00000	01.109

4-182.03SL Hinge Pr05 SNAP-LINE 180°

Adjacent cabinets, door bending 25mm, surface mounted door, frame screw-on, door snap-in



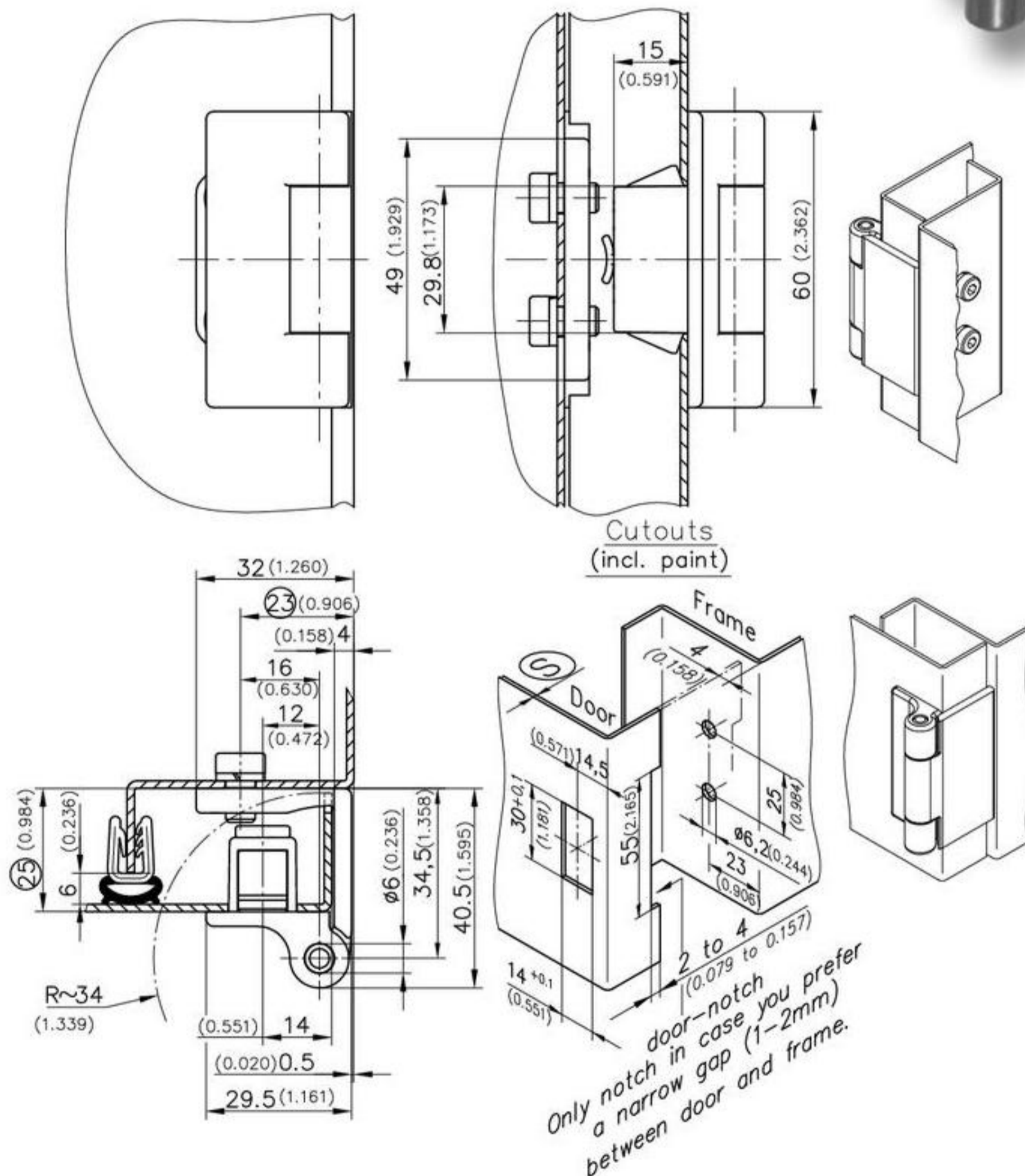
180° SNAP-LINE hinge.

- Frame-part screw-on.
- Door-part Snap-in.
- Dual hook with system dimension $\textcircled{23}$: see page 04.40 and 04.30.
- For uninstallation see page 01.79.

Material:

- **Frame part:**
zinc die, black
- **door part:**
zinc die, black
- **Snap wedges:**
sintered metal, plated

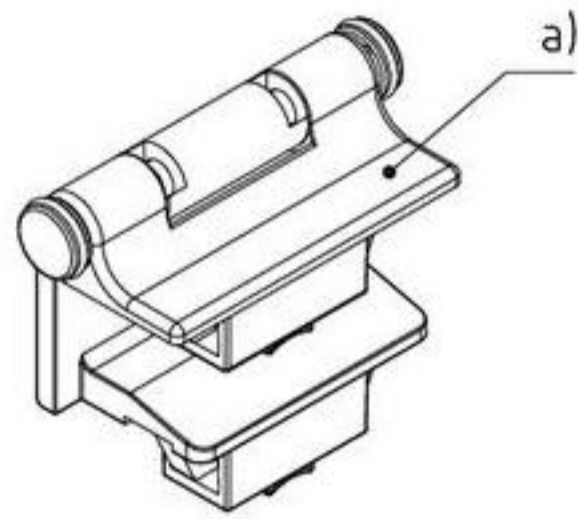
- **Pin $\text{ø}6 \times 60$:**
stainless steel
- **Washers:**
brass, nickel plated
- **Socket cylinder screws:**
steel, zinc plated
- **Nuts:**
steel, zinc plated
- **Spring washers**
steel, zinc plated



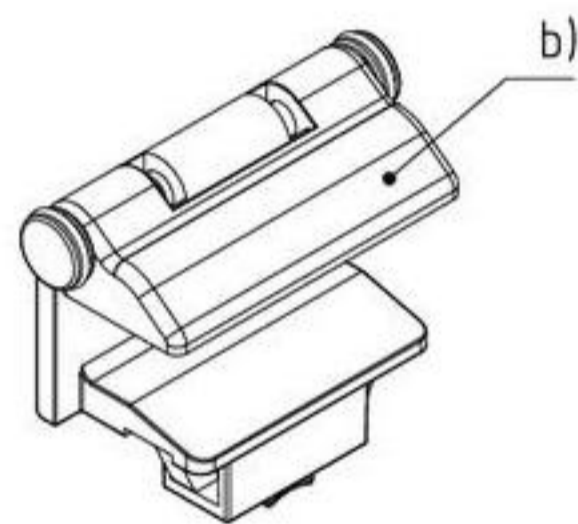
	clamping range \textcircled{S} - Door	Part No.	see page
Frame part screw-on, door part snap-in.	1,2 - 1,7	412-9004.00-00015	
	1,7 - 2,2	412-9004.00-00020	
	2,2 - 2,7	412-9004.00-00025	
	2,7 - 3,2	412-9004.00-00030	
	3,2 - 3,7	412-9004.00-00035	
2 socket cylinder screws M6x10 DIN7984, 2 spring washers DIN7980 and 2 nuts M6 DIN 439 are included.			
Cover for cutout 30x14		292-0402.00-03014	01.106
Reinforcement plate for thin-walled sheets and for higher loads:		292-0701.15-01530	01.108
Tool for uninstallation		292-0306.80-02530	01.109
or		292-0301.15-00000	01.109

4-182.04SL Hinge combination SNAP-LINE 180°

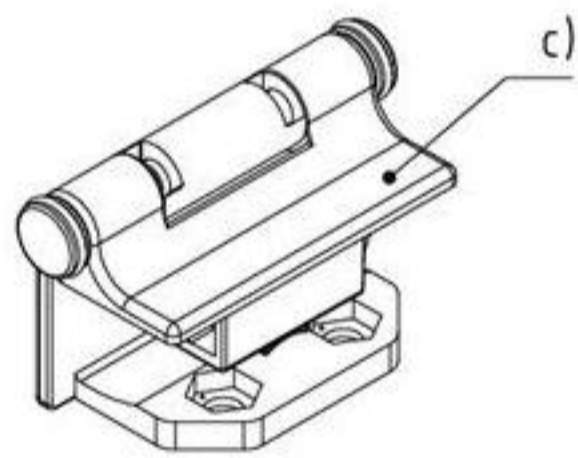
Door is lift-off.



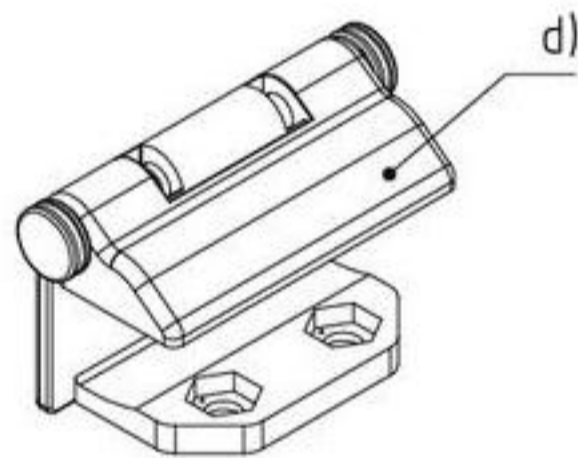
a)
 Frame part with D-SNAP technology
 Door part with D-SNAP technology



b)
 Frame part with D-SNAP technology
 Door part screw on

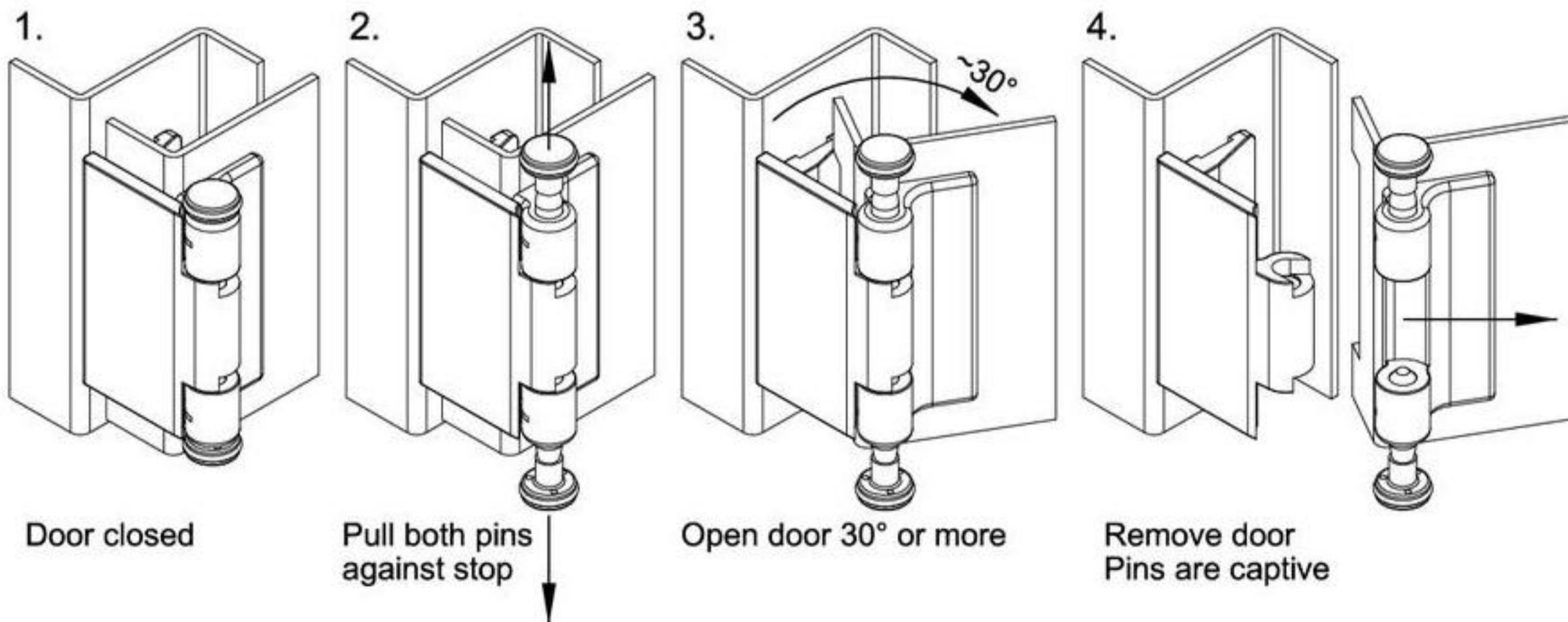


c)
 Frame part screw on
 Door part with D-SNAP technology



d)
 Frame part screw on
 Door part screw on

Removing the door



	see page
a)	01.84
b)	01.85
c)	01.86
d)	01.87

4-182.05 Hinge Pr05 180°

Lift-off, Adjacent cabinets, door bending 25mm for surface mounted door



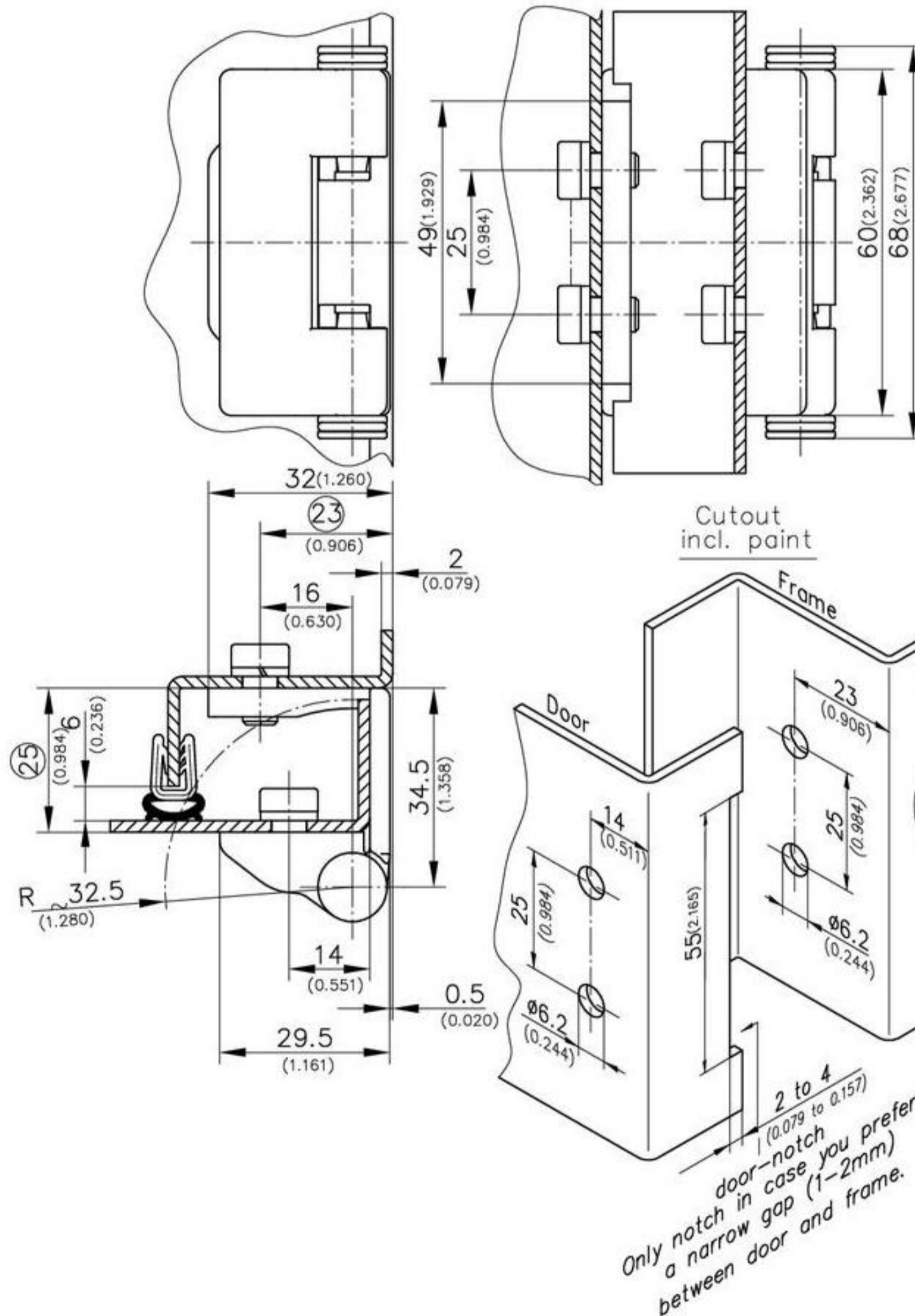
180° hinge, door is lift-off.

- Fitting from inside and outside.
- RH or LH application.
- The installation of the door part, with already pre-fitted pin-halves, is achieved by a simple push into the appropriate cutout.
- To merge the door part and the frame part: at about 30° door opening, enter the door part into the matching openings in the frame part. Close the door and fully push the pin-halves towards each other.

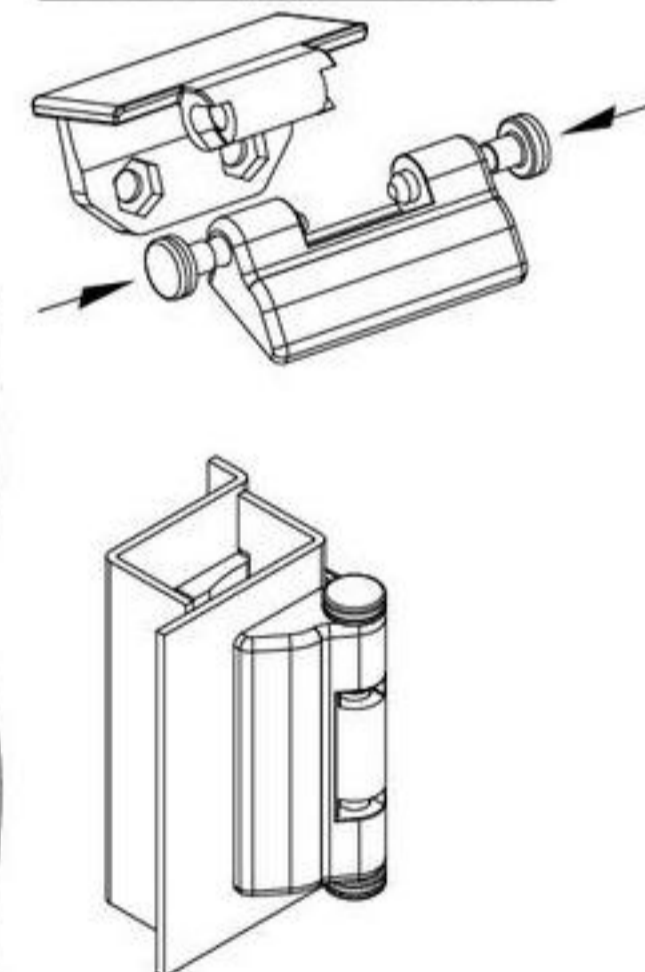
- After retracting the pin-halves, the door can be pulled out horizontally at about 30° door opening.
- Special wire springs, fitted into the door part, make the pin-halves captive and the pin-halves have a detent in both positions.
- Frame holes layout is also suitable for mounting dual hooks as on page 04.30 and 04.40 shown allowing reversibility of door.

Material:

- **Frame part, door part and pin:** zinc die, black coated
- **Detent spring:** spring steel



Assembling situation



Hinge 180°

Hinges are supplied including 4 hex. socket screws M6x10 DIN 7984, 4 washers 6 DIN 7980 and 2 nuts M6 DIN 439.

Part No.
212-9085

4-182.05SL Hinge Pr05 SNAP-LINE 180°

Bending 25mm for surface mounted door, frame part and door part with D-SNAP-technology



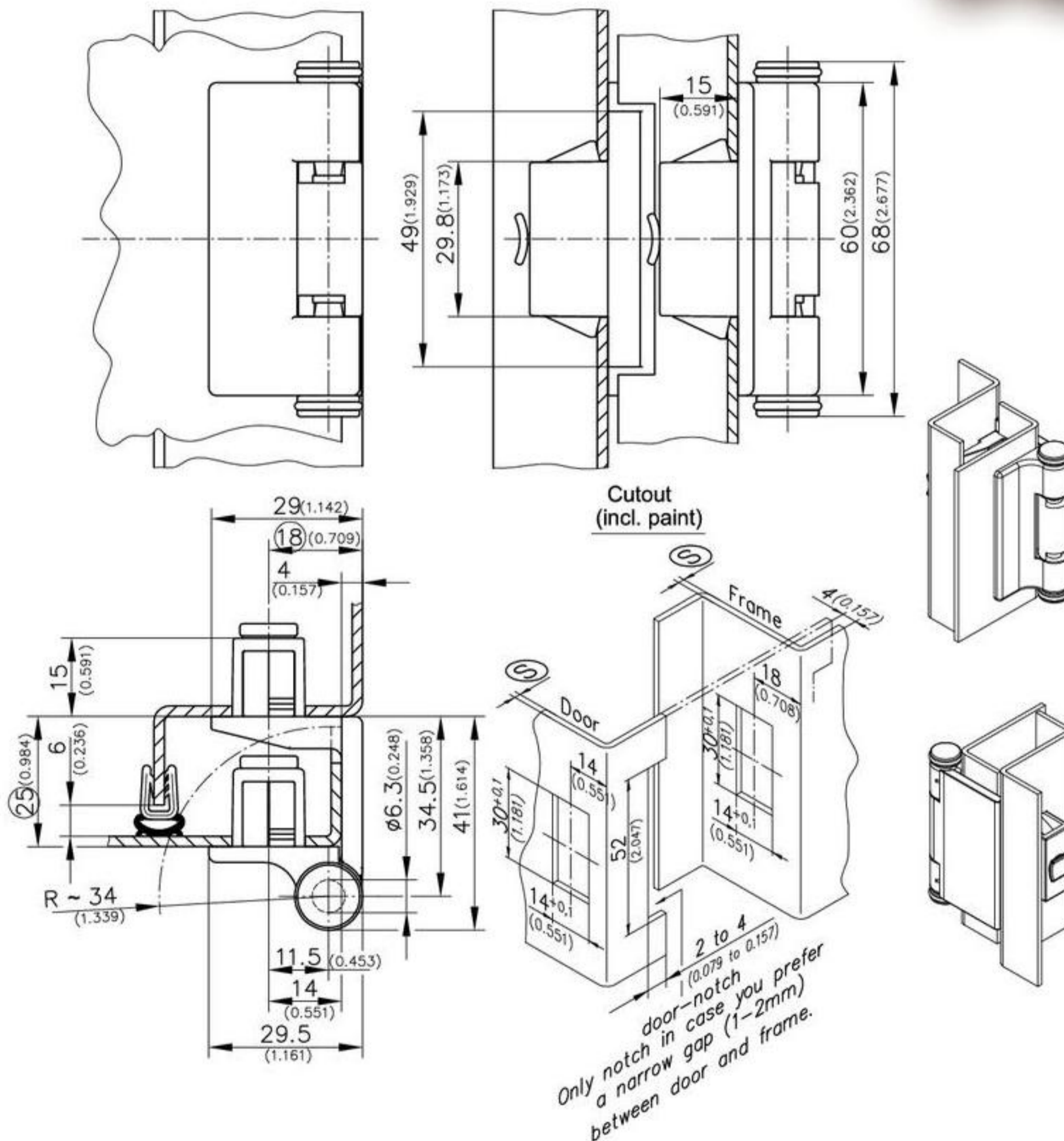
180° SNAP-LINE hinge.

- Door is lift-off.
- Installation of both door part and frame part by simple snap-in.
- RH and LH application.
- After retracting the pin-halves, the door can be pulled out horizontally at about 30° door opening.
- Special wire springs, fitted into the door part, make the pin-halves captive and the pin-halves have a detent in both positions.
- Removing of the door: please refer to page 01.83.

- Uninstallation of the hinge: please refer to page 01.79.
- Water and dust tight according to IP65 DIN EN 60529 by using the O-ring (not included).

Material:

- **Frame part, door part and pin:** zinc die, black
- **Snap wedges:** sintered metal, plated
- **Detent spring:** spring steel



	clamping range [Ⓢ]	Part No.	see page
Hinge	1,2 - 1,7	412-9020.00-00015	
	1,7 - 2,2	412-9020.00-00020	
	2,2 - 2,7	412-9020.00-00025	
	2,7 - 3,2	412-9020.00-00030	
	3,2 - 3,7	412-9020.00-00035	
O-ring		200-1005.00-02420	
Cover for cutout 30x14		292-0402.00-03014	01.106
Reinforcement plate for thin-walled sheets and for higher loads:		292-0701.15-01530	01.108
Tool for uninstallation		292-0306.80-02530	01.109
or		292-0301.15-00000	01.109

4-182.06SL Hinge Pr05 SNAP-LINE 180°

Bending 25mm for surface mounted door, frame part: snap-in, door part: screw-on.



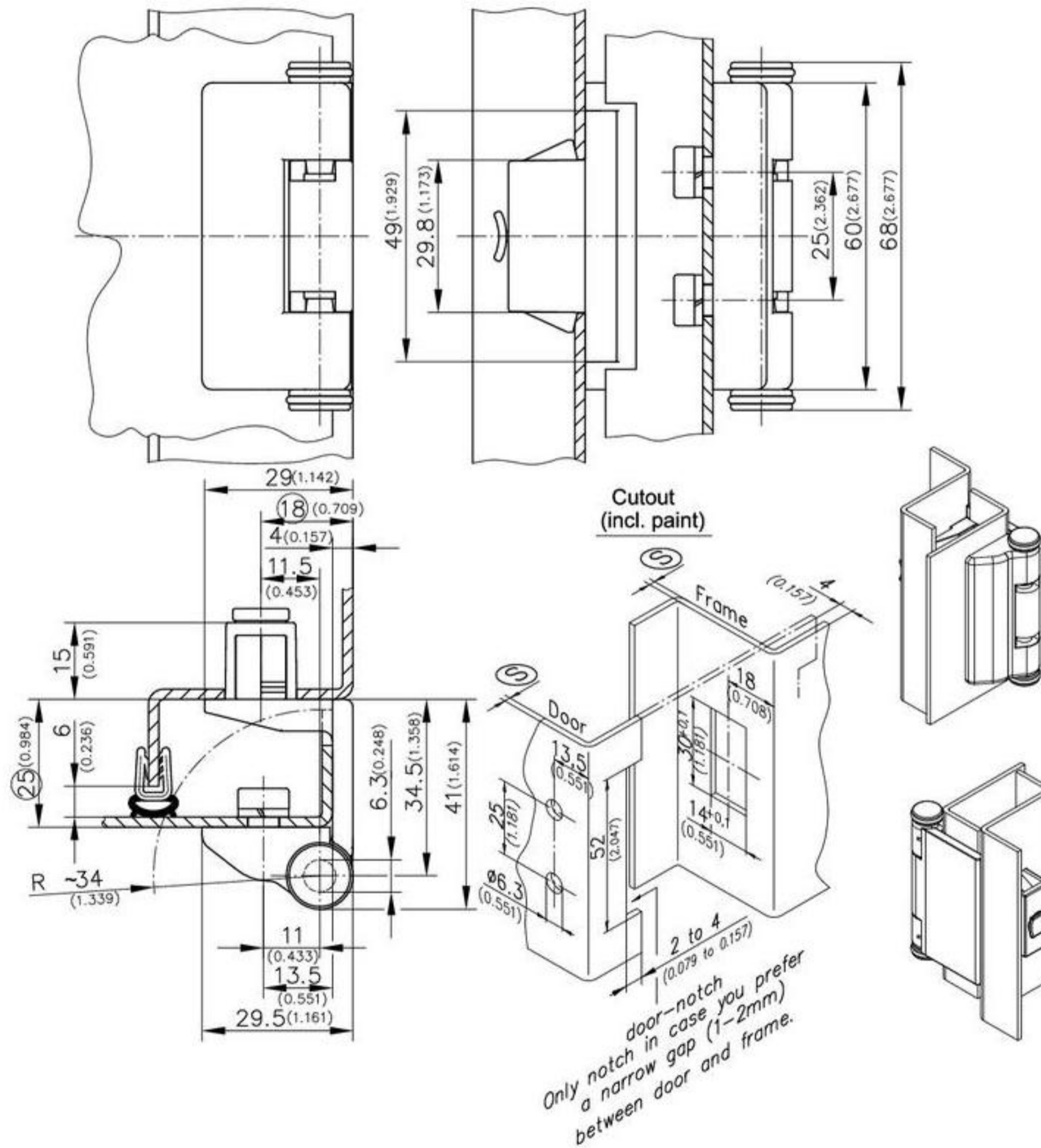
180° SNAP-LINE hinge.

- Door is lift-off.
- Frame-part with D-SNAP technology, door part screw-in.
- RH and LH application.
- The installation of the frame part, with already pre-fitted pin-halves, is achieved by a simple push into the appropriate cutout.
- After retracting the pin-halves, the door can be pulled out horizontally at about 30° door opening.
- Special wire springs, fitted into the door part, make the pin-halves captive and the pin-halves have a detent in both positions.

- Removing of the door: please refer to page 01.83.
- Uninstallation of the hinge: please refer to page 01.79.
- Water and dust tight according to IP65 DIN EN 60529 by using the O-ring (not included).

Material:

- **Frame part, door part and pin:** zinc die, black
- **Snap wedges:** sintered metal, plated
- **Detent spring:** spring steel



	clamping range ©	Part No.	see page
Hinge	1,2 - 1,7	412-9062.00-00015	
	1,7 - 2,2	412-9062.00-00020	
	2,2 - 2,7	412-9062.00-00025	
	2,7 - 3,2	412-9062.00-00030	
	3,2 - 3,7	412-9062.00-00035	
O-ring		200-1005.00-02420	
Cover for cutout 30x14		292-0402.00-03014	01.106
Reinforcement plate for thin-walled sheets and for higher loads:		292-0701.15-01530	01.108
Tool for uninstallation		292-0306.80-02530	01.109
or		292-0301.15-00000	01.109

4-182.07SL Hinge Pr05 SNAP-LINE 180°

Bending 25mm for surface mounted door, frame part: screw-on, door part with D-SNAP-technology



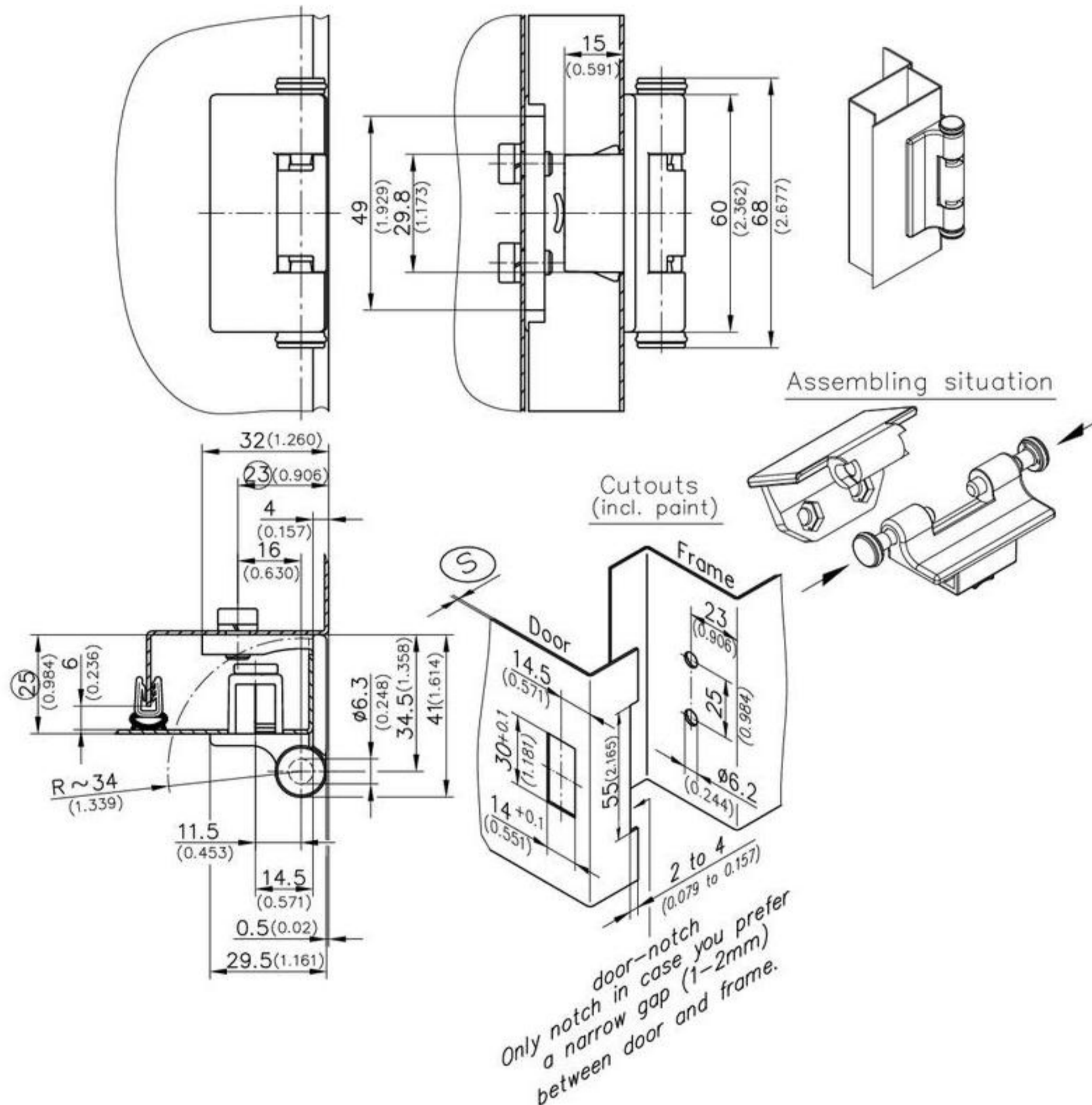
180° SNAP-LINE hinge.

- Door is lift-off.
- Frame-part screw-in, door part with D-SNAP technology.
- RH or LH application.
- The frame part can be fitted from outside and from inside.
- The installation of the door part, with already pre-fitted pin-halves, is achieved by a simple push into the appropriate cutout.
- To merge the door part and the frame part: at about 30° door opening, enter the door part into the matching openings in the frame part.

- Close the door and fully push the pin-halves towards each other.
- After retracting the pin-halves, the door can be pulled out horizontally at about 30° door opening.
- Special wire springs, fitted into the door part, make the pin-halves captive and the pin-halves have a detent in both positions.

Material:

- **Frame part, door part and pin:** zinc die, black
- **Snap wedge:** sintered metal, plated
- **Detent spring:** spring steel



Hinge, snap-in	clamping range ©	Part No.	see page
	1,2 - 1,7	412-9006.00-00015	
	1,7 - 2,2	412-9006.00-00020	
	2,2 - 2,7	412-9006.00-00025	
	2,7 - 3,2	412-9006.00-00030	
	3,2 - 3,7	412-9006.00-00035	
Cover for cutout 30x14		292-0402.00-03014	01.106
Reinforcement plate for thin-walled sheets and for higher loads:		292-0701.15-01530	01.108
Tool for uninstallation		292-0306.80-02530	01.109
or		292-0301.15-00000	01.109

4-182 Hinge Pr05 180°

Adjacent cabinets, door bending 25mm, for surface mounted door



180° Hinge fitting from inside and outside.

- RH or LH application.
- Easy lift-off through oblong holes.
- Frame holes layout is also suitable for mounting dual hooks as on page 04.30 and 04.40 shown allowing reversibility of door.

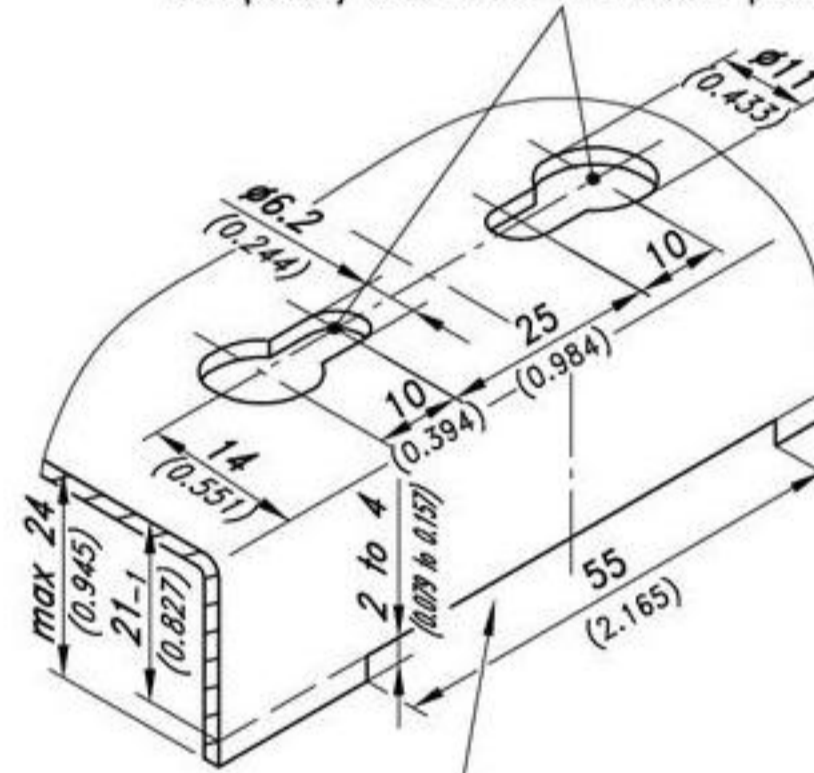
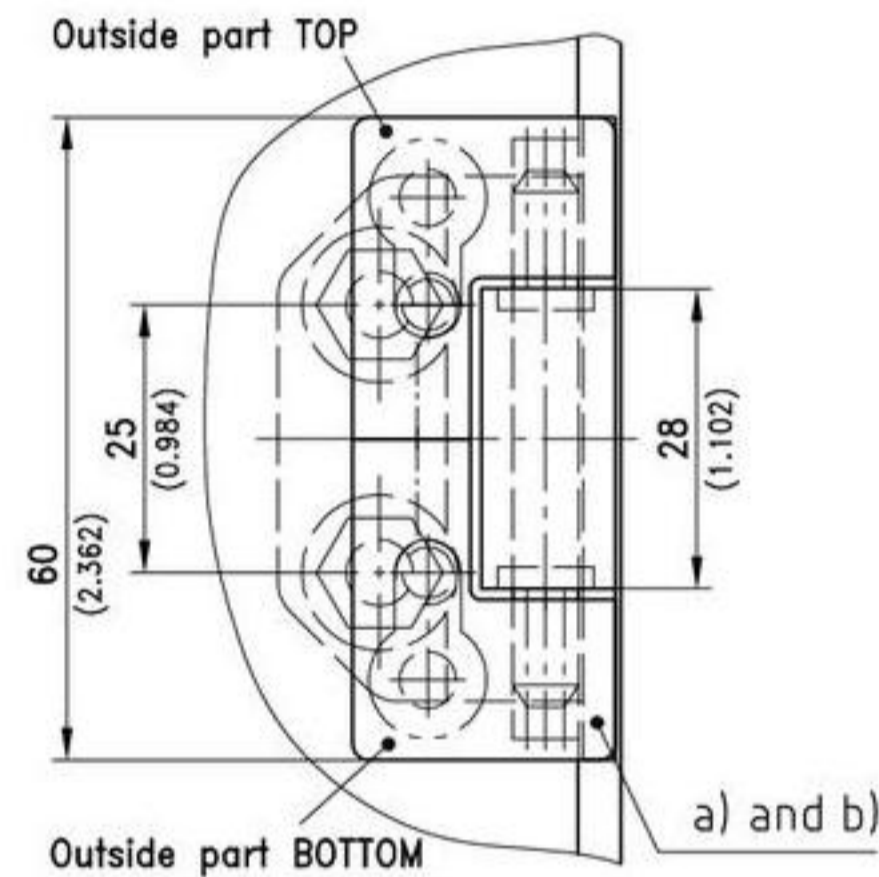
Material:

- **Frame part and door part:**
zinc die, black coated
- **Pin:**
steel, zinc plated
- **Washer:**
brass

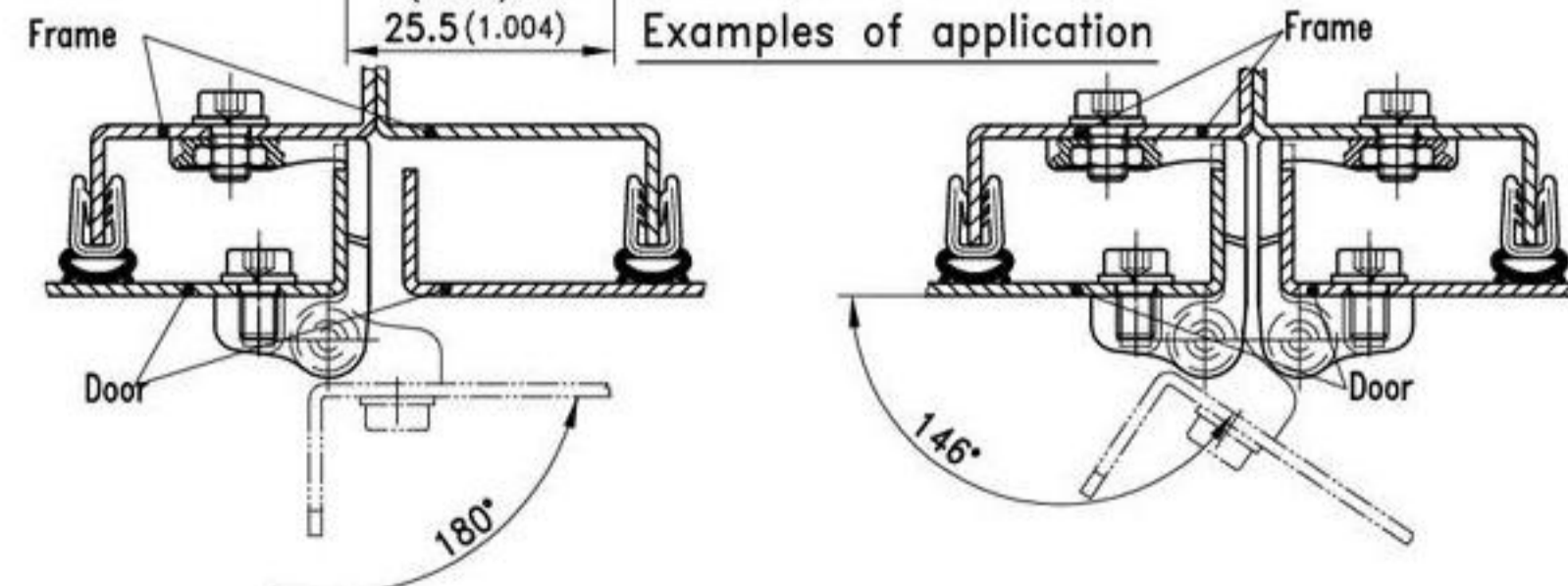
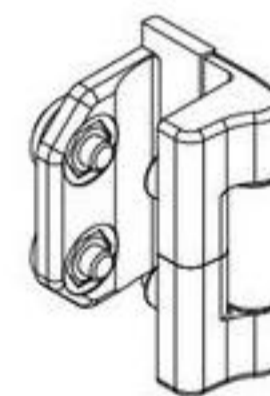
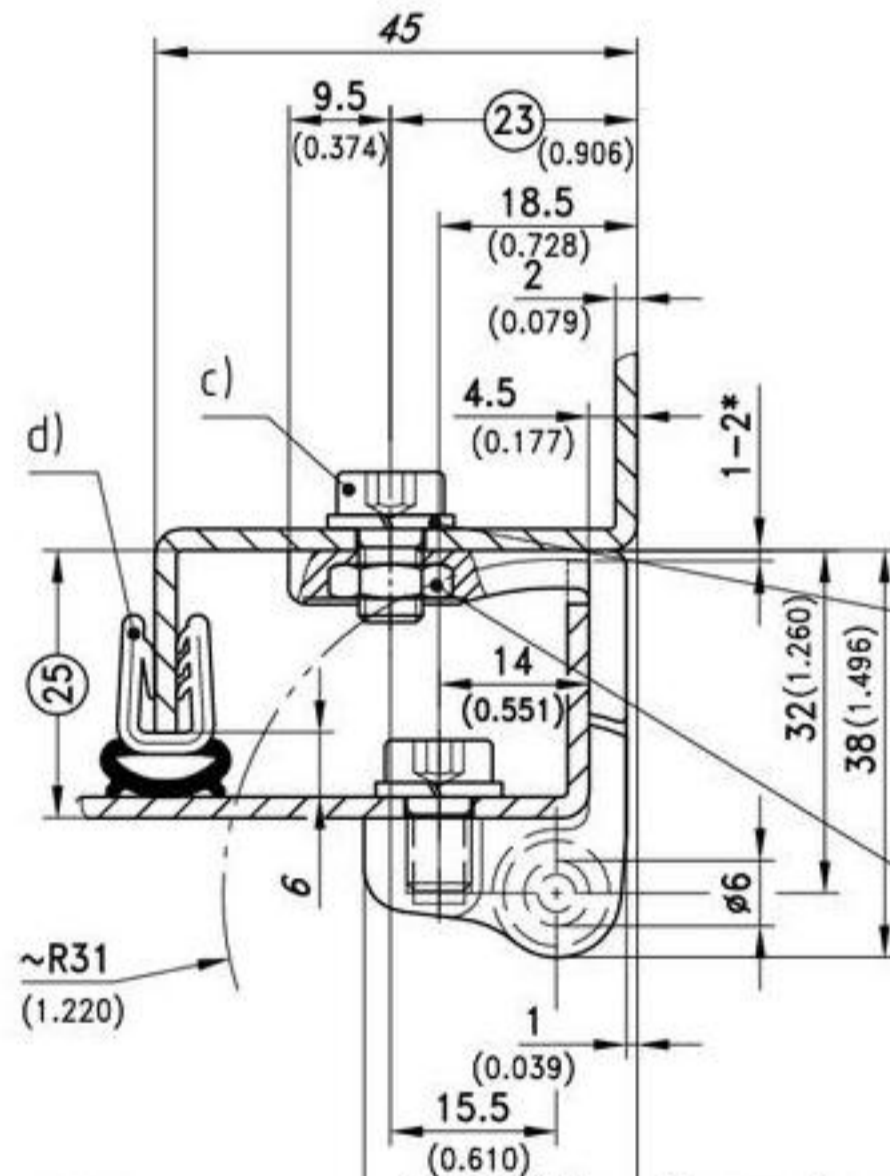


Cutout

- Holes as shown: undo lower bolt 1/4 turn, take off lower part and lift off door.
- 2 round holes $\varnothing 6,2\text{mm}$ (0.244), 25mm (0.984) apart: undo lower bolt completely and take off lower part.

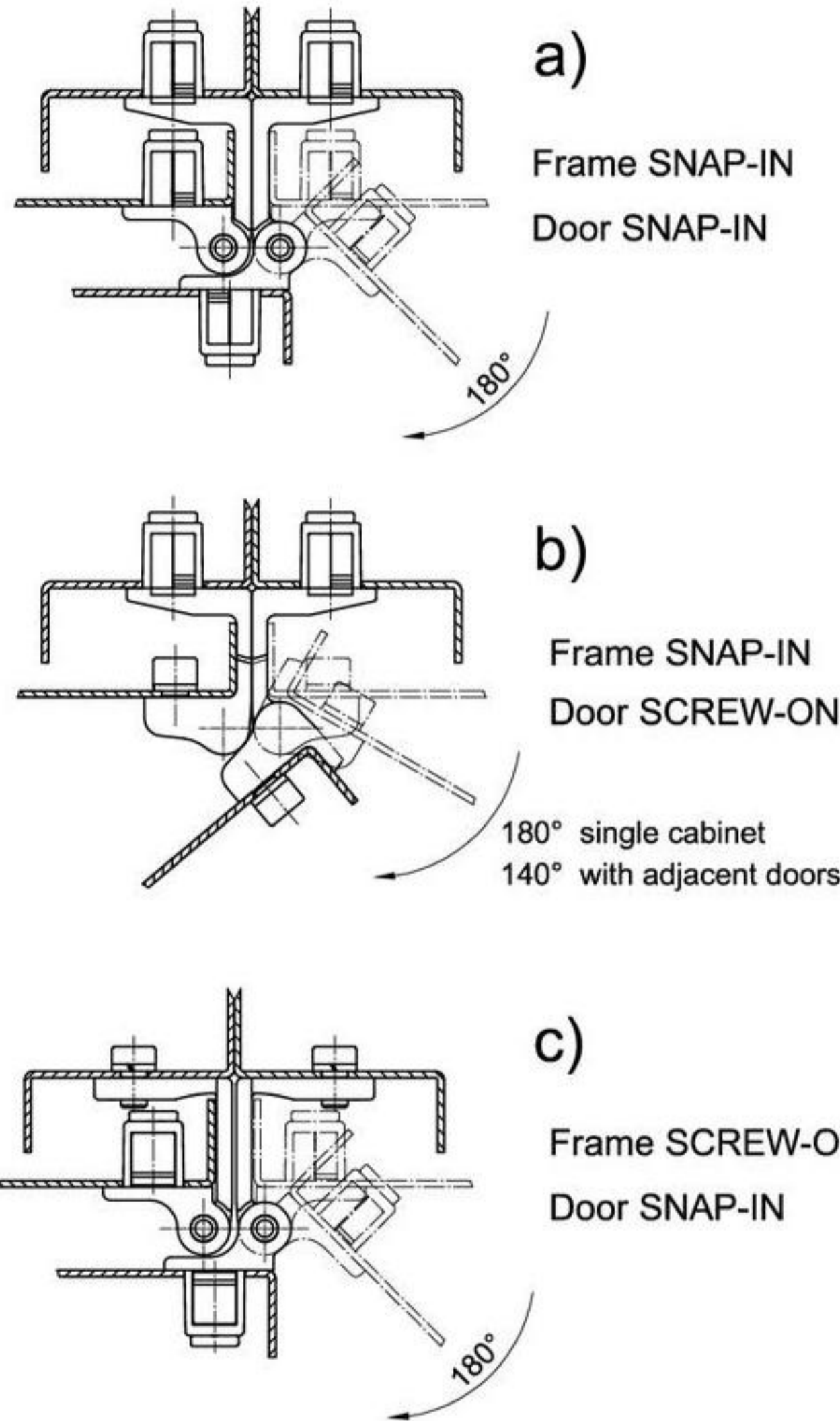


door-notch
*Only notch in case you prefer a narrow gap (1-2mm) between door and frame.

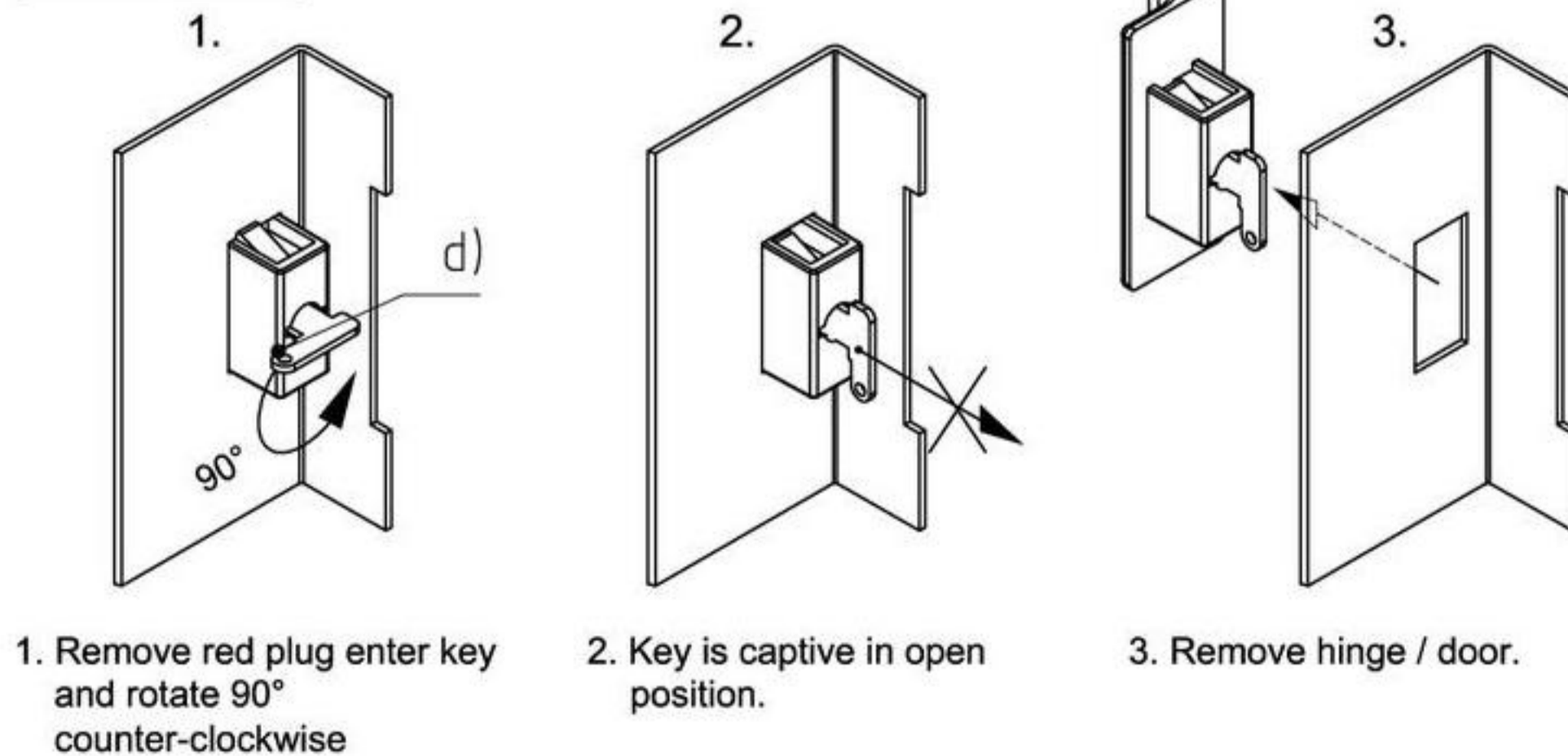


Hinge	Part No.	see page
a) Fastening from inside (as drawn), with fastening washer for frame hole $\square 8$ or $\varnothing 10$	212-9303	
b) Fastening from outside, with threaded frame / M6 nuts	212-9302	
Hinges are supplied including 4 hex. socket screws M6x10 DIN 7984 and 4 washers 6 DIN 7980.		
d) e.g. Clip-on profiles	209-0201	07.19

4-182SL Hinge combination SNAP-LINE 180°



Uninstallation



	Part No.	see page
a)		01.80
b)		01.81
c)		01.82
d) Tool for uninstallation	292-0301.15	01.109