

7-134 Hinge Pr05 180°

stainless steel AISI 316, Single cabinet, door bending 20mm, for surface mounted door

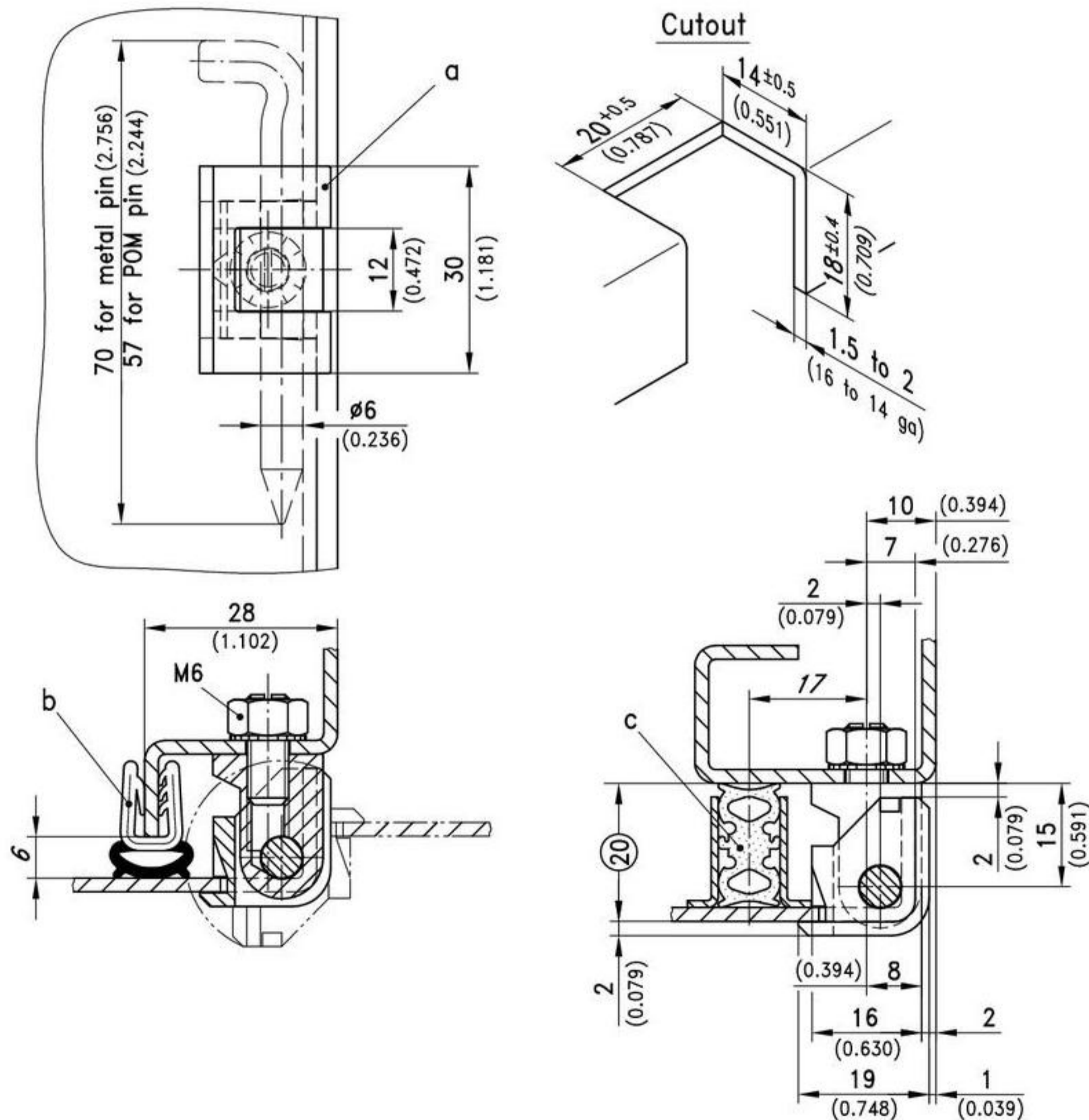


180° hinge for surface mounted door.

- RH or LH application.
- The POM pin is self-securing.

Material:

- **Hinge Parts:**
stainless steel
- **Pin:**
POM natural or stainless steel



180° Hinge	Part No.	see page
a) with pin, stainless steel	212-9201	
a1) with pin, POM	212-9202	
Stud, serrated washer and nuts are included.		
b) e.g. Clip-on profile	209-0201	07.19
c) e.g. Clip-on profile	209-0122	07.9