

4-182.05 Hinge Pr05 180°

Lift-off, Adjacent cabinets, door bending 25mm for surface mounted door



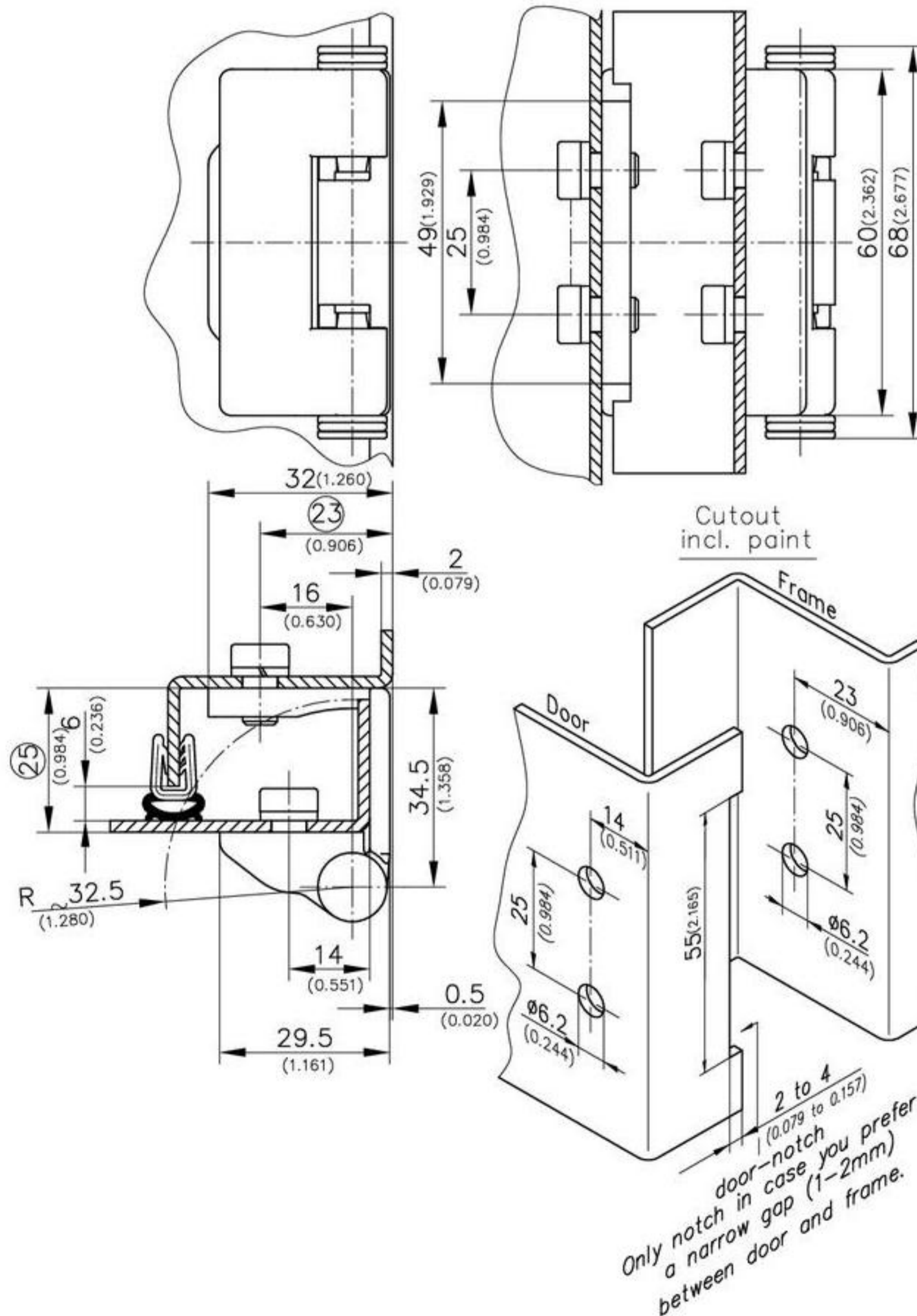
180° hinge, door is lift-off.

- Fitting from inside and outside.
- RH or LH application.
- The installation of the door part, with already pre-fitted pin-halves, is achieved by a simple push into the appropriate cutout.
- To merge the door part and the frame part: at about 30° door opening, enter the door part into the matching openings in the frame part. Close the door and fully push the pin-halves towards each other.

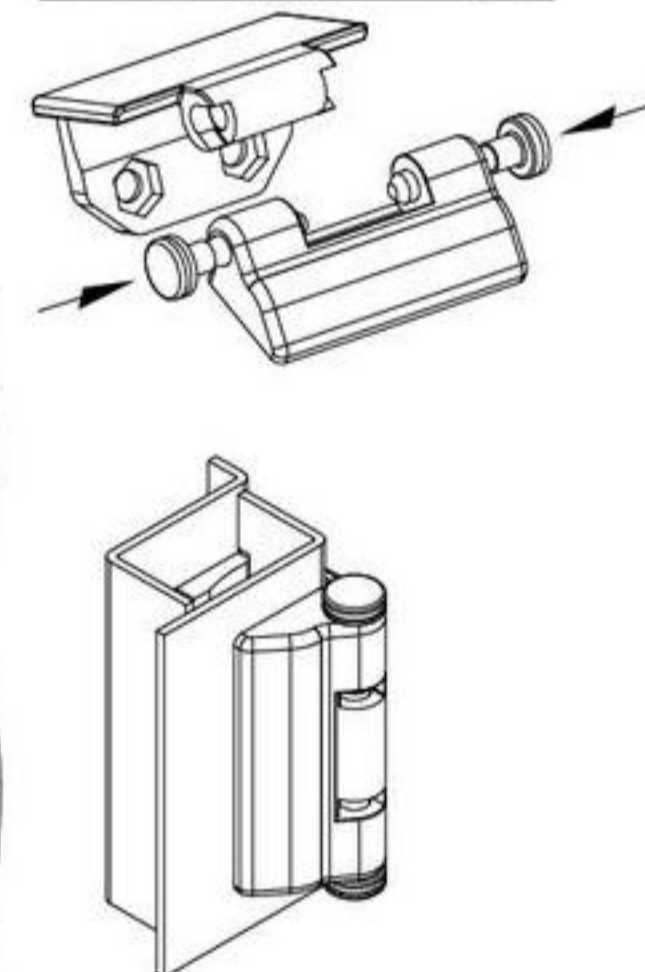
- After retracting the pin-halves, the door can be pulled out horizontally at about 30° door opening.
- Special wire springs, fitted into the door part, make the pin-halves captive and the pin-halves have a detent in both positions.
- Frame holes layout is also suitable for mounting dual hooks as on page 04.30 and 04.40 shown allowing reversibility of door.

Material:

- **Frame part, door part and pin:** zinc die, black coated
- **Detent spring:** spring steel



Assembling situation



Hinge 180°

Hinges are supplied including 4 hex. socket screws M6x10 DIN 7984, 4 washers 6 DIN 7980 and 2 nuts M6 DIN 439.

Part No.
212-9085

4-182.05SL Hinge Pr05 SNAP-LINE 180°

Bending 25mm for surface mounted door, frame part and door part with D-SNAP-technology



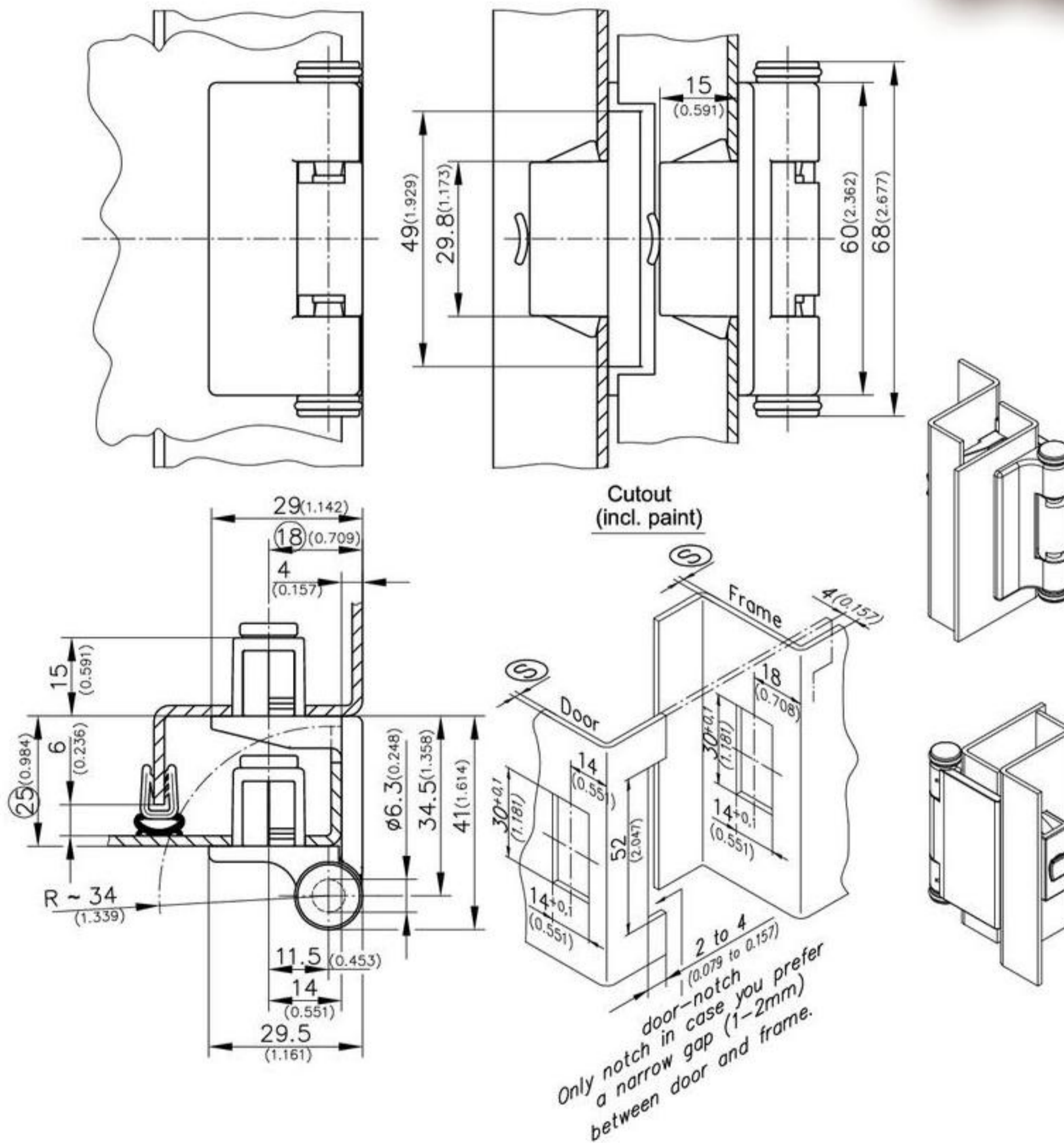
180° SNAP-LINE hinge.

- Door is lift-off.
- Installation of both door part and frame part by simple snap-in.
- RH and LH application.
- After retracting the pin-halves, the door can be pulled out horizontally at about 30° door opening.
- Special wire springs, fitted into the door part, make the pin-halves captive and the pin-halves have a detent in both positions.
- Removing of the door: please refer to page 01.83.

- Uninstallation of the hinge: please refer to page 01.79.
- Water and dust tight according to IP65 DIN EN 60529 by using the O-ring (not included).

Material:

- **Frame part, door part and pin:** zinc die, black
- **Snap wedges:** sintered metal, plated
- **Detent spring:** spring steel



	clamping range ©	Part No.	see page
Hinge	1,2 - 1,7	412-9020.00-00015	
	1,7 - 2,2	412-9020.00-00020	
	2,2 - 2,7	412-9020.00-00025	
	2,7 - 3,2	412-9020.00-00030	
	3,2 - 3,7	412-9020.00-00035	
O-ring		200-1005.00-02420	
Cover for cutout 30x14		292-0402.00-03014	01.106
Reinforcement plate for thin-walled sheets and for higher loads:		292-0701.15-01530	01.108
Tool for uninstallation		292-0306.80-02530	01.109
or		292-0301.15-00000	01.109