

4-185 Hinge Pr05 180°

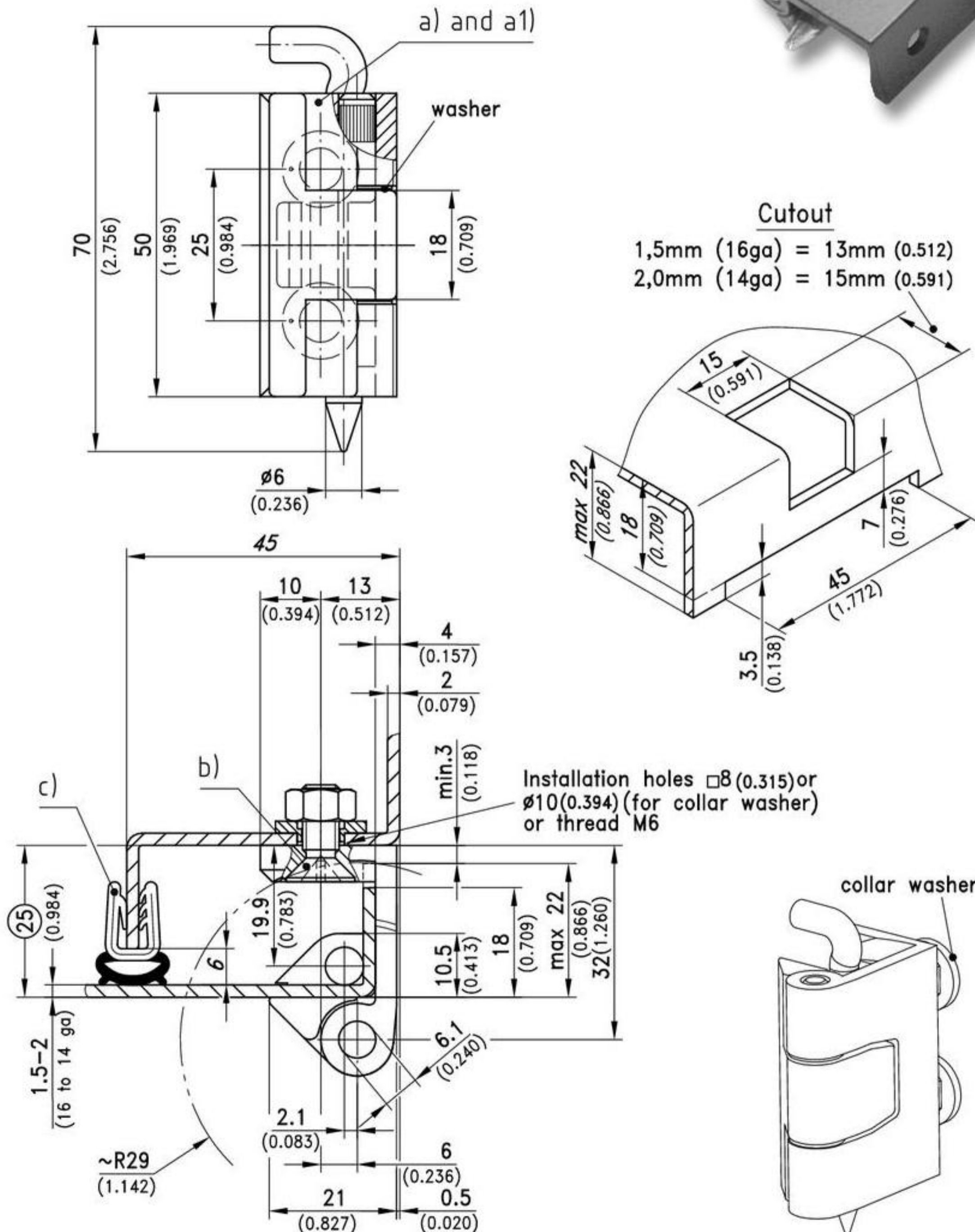
Adjacent cabinets, door bending 25mm, for surface mounted door



180° hinge for surface mounted door.
• RH or LH application.

Material:

- **Frame part and door part:**
zinc die, black or chrome plated
- **Washer:**
brass, nickel plated
- **Pin:**
steel, zinc plated
- **Collar washer:**
steel, zinc plated



Hinge	Zinc die, chrome plated	zinc die, black	see page
a) countersunk and collar washers, cutout $\phi 10$ or $\square 8$	212-9050	212-9037	
a1) countersunk for 6mm screws, cutout $\phi 6$	on request	212-9038	
b) Countersunk machine screws zinc plated			09.5
c) i.e. Clip-On Profiles		209-0201	07.19