

### 4-161 Hinge Pr05 180°

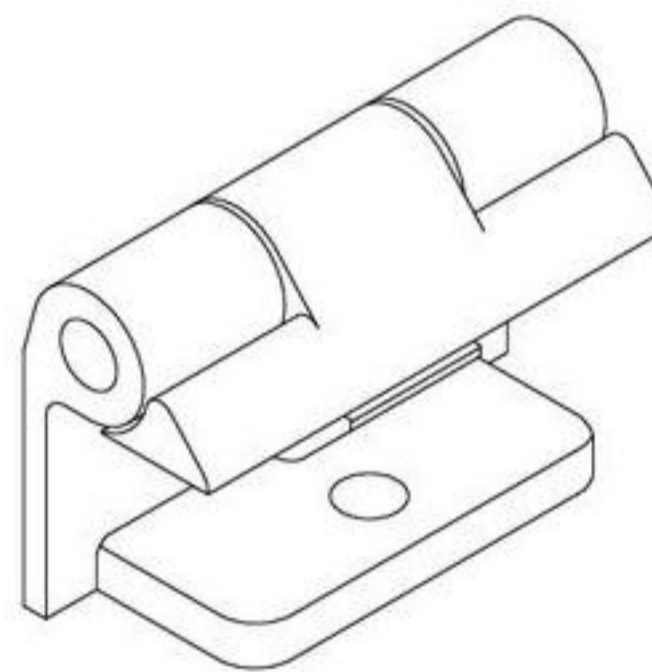
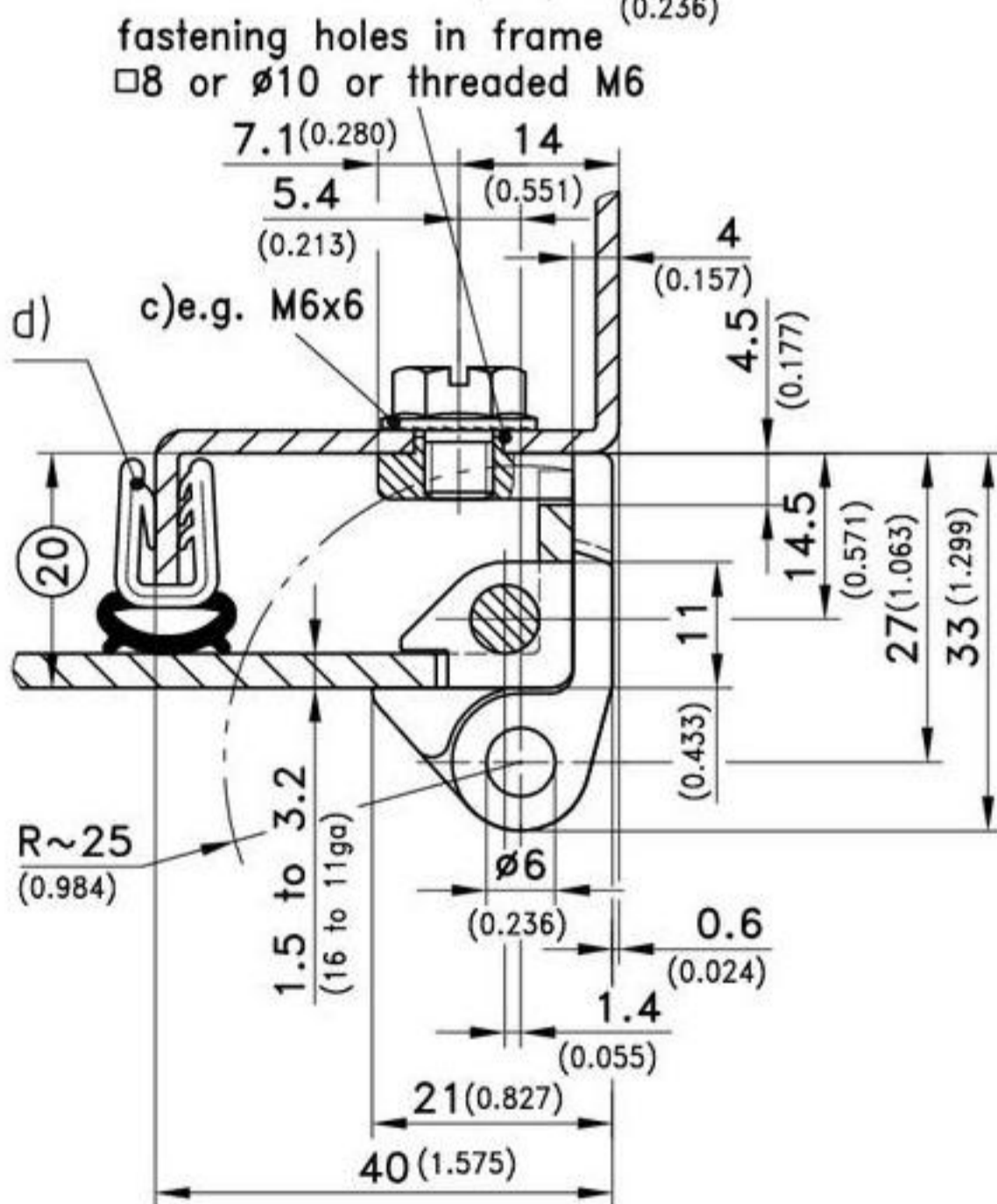
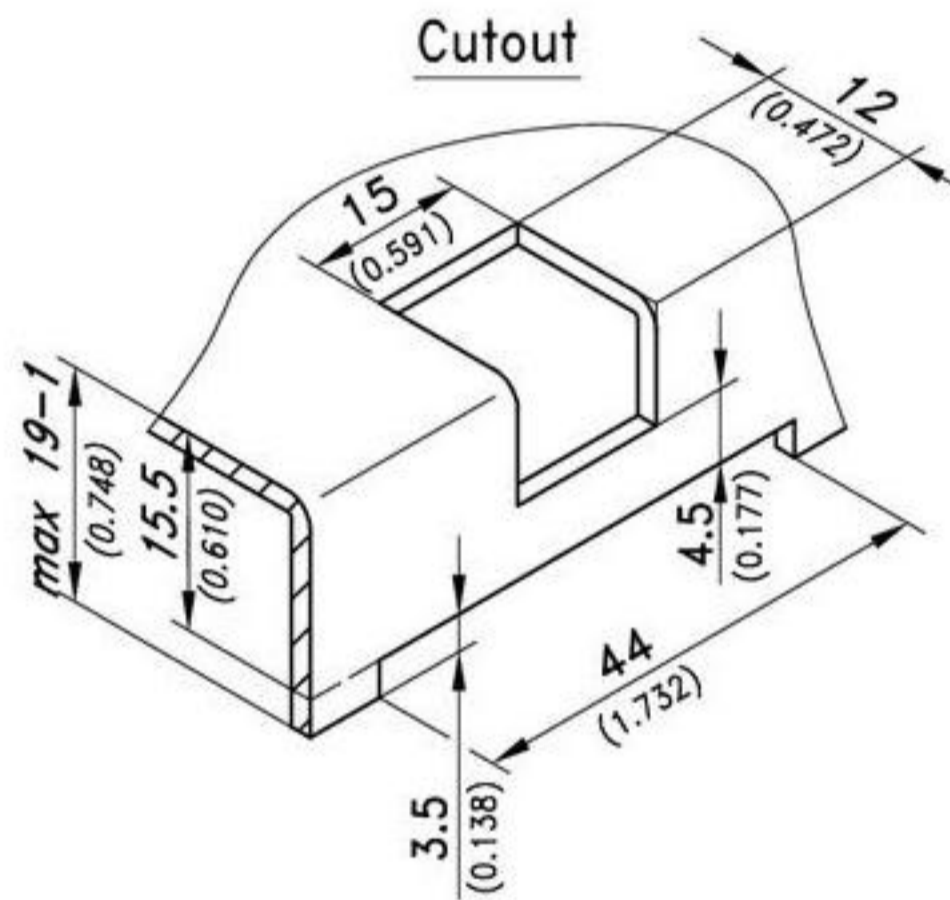
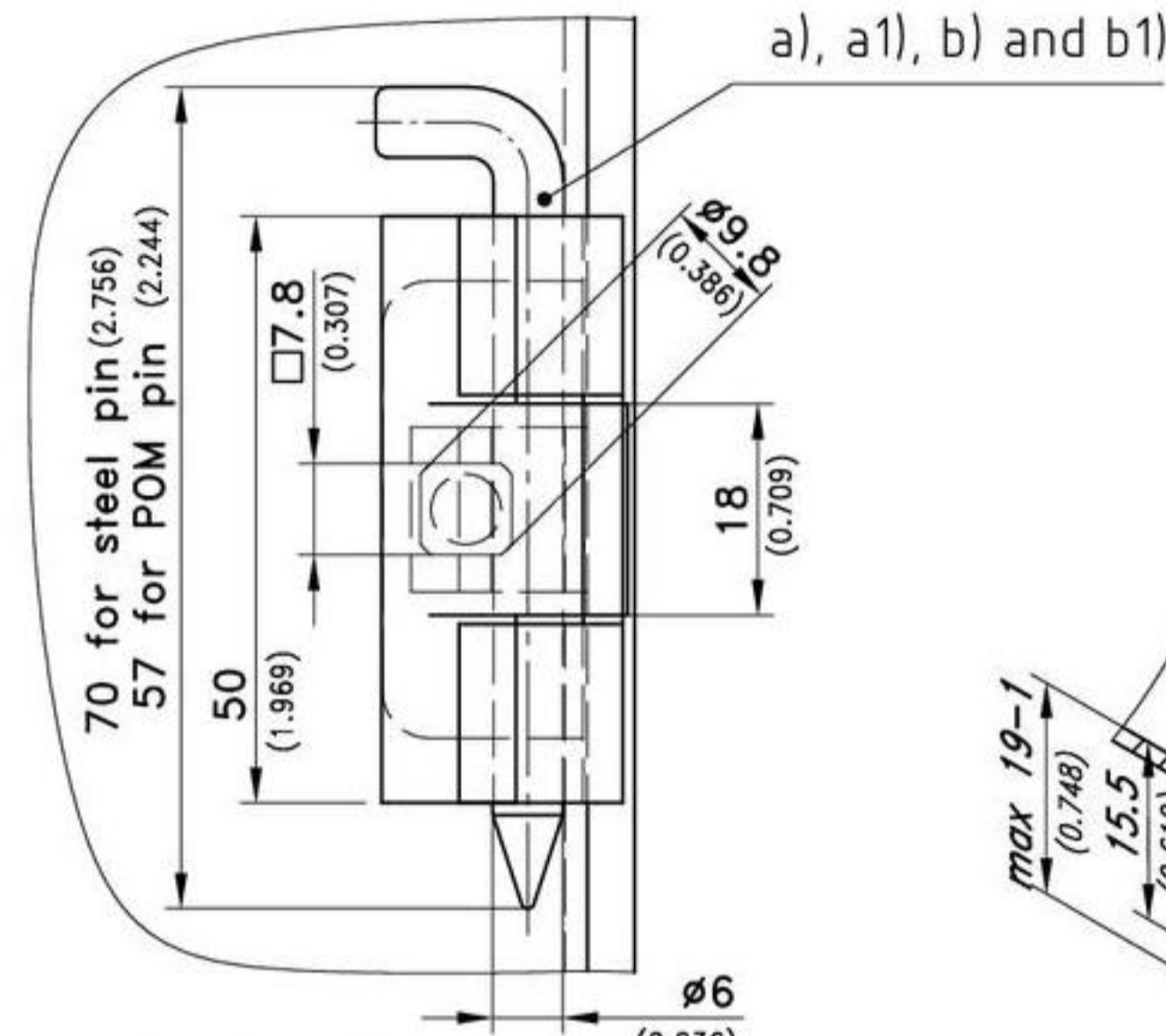
Adjacent cabinets, door bending 20mm, for nested door or surface mounted door



180° hinge for surface mounted door.  
• RH or LH application.

**Material:**

- **Frame part and door part:**  
zinc die, black or chrome plated
- **Washer:**  
brass, nickel plated
- **Pin:**  
steel, zinc plated or POM natural



	door gauge 1.5 to 2 (16 to 14ga)		door gauge 2.5 to 3.2 (12 to 11ga)	see page
<b>Frame part</b>	<b>black</b>	<b>chrome plated</b>	<b>black *</b>	
a) with M6 threaded stubs	212-9027	212-9025	212-9527	
a1) countersunk for M6	212-9028	212-9026	212-9528	
b) with M6 threaded stubs and pin, POM	212-9035	212-9033	212-9535	
b1) countersunk for 6mm and pin, POM	212-9036	212-9034	212-9536	

\* Chrome plated version on request

c) Fitting hardware	09.4, 09.5
d) i.e. Clip-On Profiles	209-0201 07.19



### 4-161SL Hinge Pr05 SNAP-LINE 180°

adjacent cabinets, bending 20mm, surface mounted door

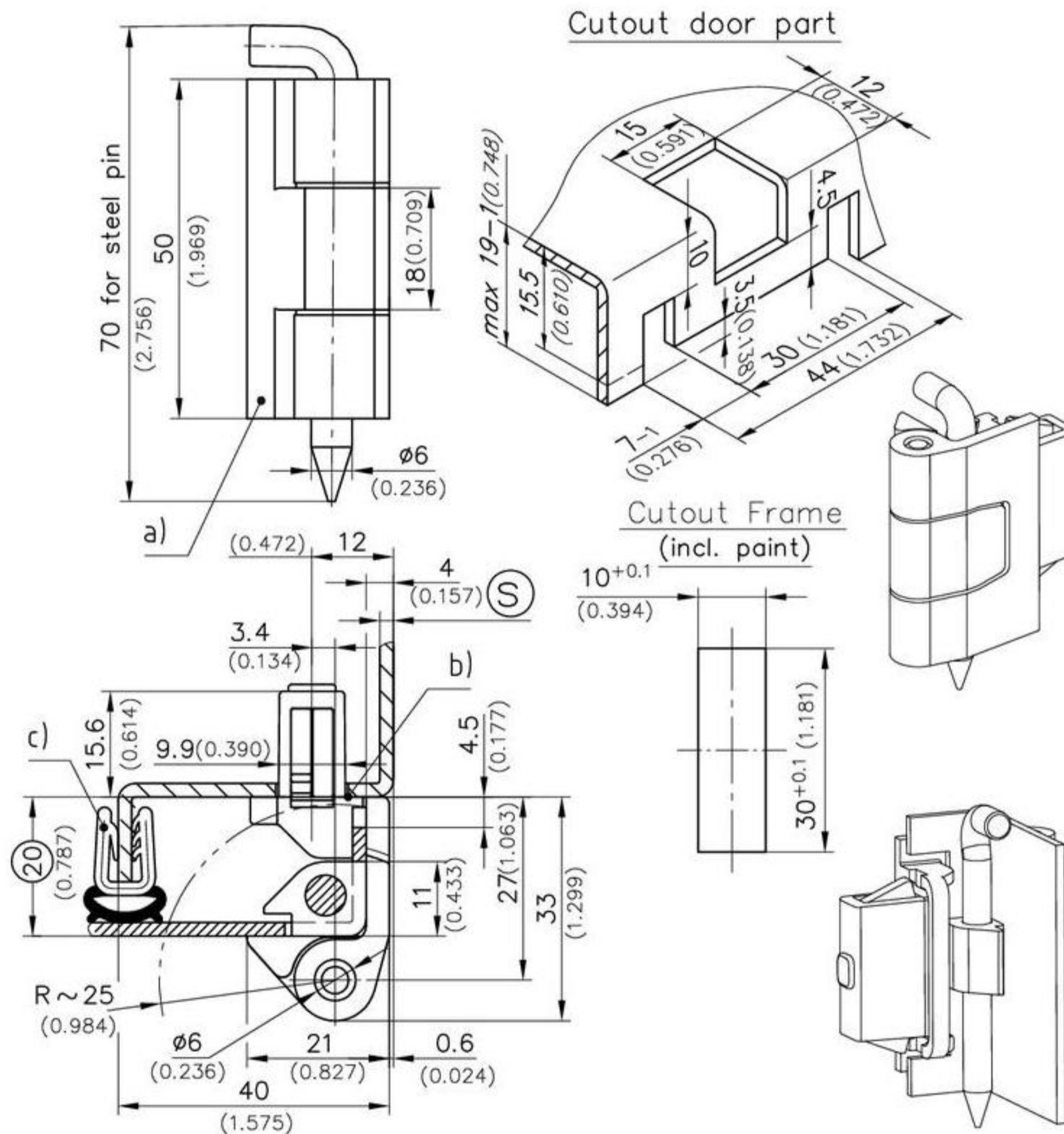


180° hinge SNAP-LINE for surface mounted door.

- RH or LH application.
- 180° also with adjacent doors/hinges.
- Closed cutout.
- Installation of the frame-part by simple push into the cutout
- Water and dust tight according to IP65 DIN EN 60529 by using the O-ring (not included).

**Material:**

- **Frame part and door part:** zinc die, black
- **Pin:** steel, zinc plated
- **Pivot pin:** steel, zinc plated
- **Washers:** brass, nickel plated
- **Snap wedges:** sintered metal, plated



a) Hinge, complete	clamping range <sup>Ⓢ</sup>	Part No.	see page
	1,2 - 1,7	412-9003.00-00015	
	1,7 - 2,2	412-9003.00-00020	
	2,2 - 2,7	412-9003.00-00025	
	2,7 - 3,2	412-9003.00-00030	
b) O-ring		200-1005.00-02420	
c) e.g. Clip-on profile		209-0201.00-00000	07.19
Cover for cutout 30x10		292-0401.00-03010	01.106
Reinforcement plate for thin-walled sheets and for higher loads:		292-0702.15-01030	01.108
Tool for uninstallation		292-0306.80-02530	01.109