

4-180 Hinge Pr05 180°

Lift-off, adjacent cabinets, door bending 25mm for nested or surface mounted door

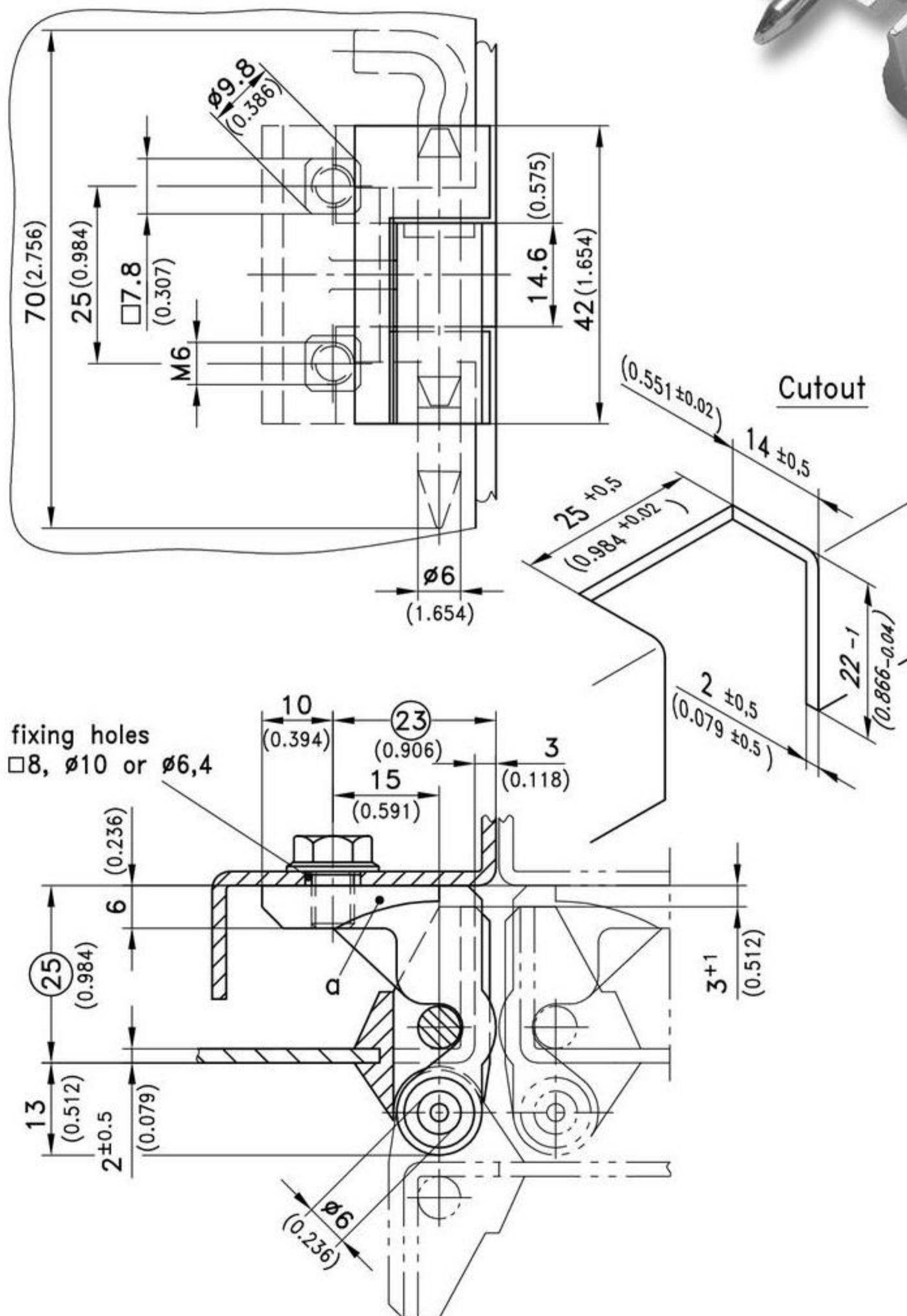


180° hinge for surface mounted door, with 90° lift-off.

- With M6 threaded stubs for fastening from inside or Ø6.4mm countersunk holes for fastening from outside.
- The hinge is designed for an easy fastening to the door.

Material:

- **Frame part and door part:**
zinc die, black or chrome plated
- **Pivot:**
stainless steel
- **Pin:**
steel, zinc plated



Frame part	chrome plated RH	chrome plated LH	black RH	black LH	see page
a) with 6mm threaded stubs	212-9021	212-9023	212-9015	212-9017	
a1) countersunk Ø6.4 for M6	212-9022	212-9024	212-9016	212-9018	
Hinges for door thickness > 2mm					06.85
Screws					09.4, 09.5