

4-170 Hinge Pr05 180°

for single cabinet, door bending 25mm, for nested door or surface mounted door

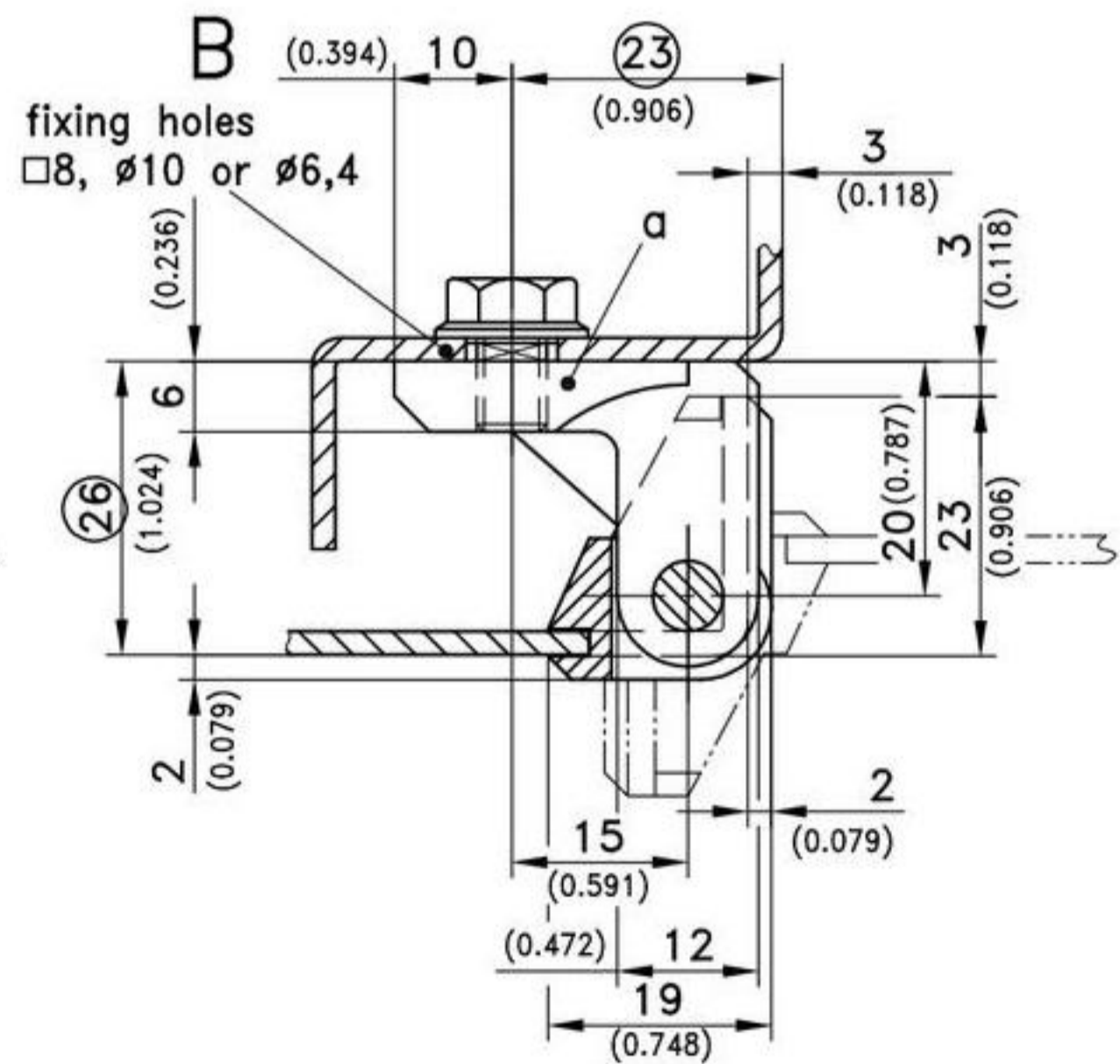
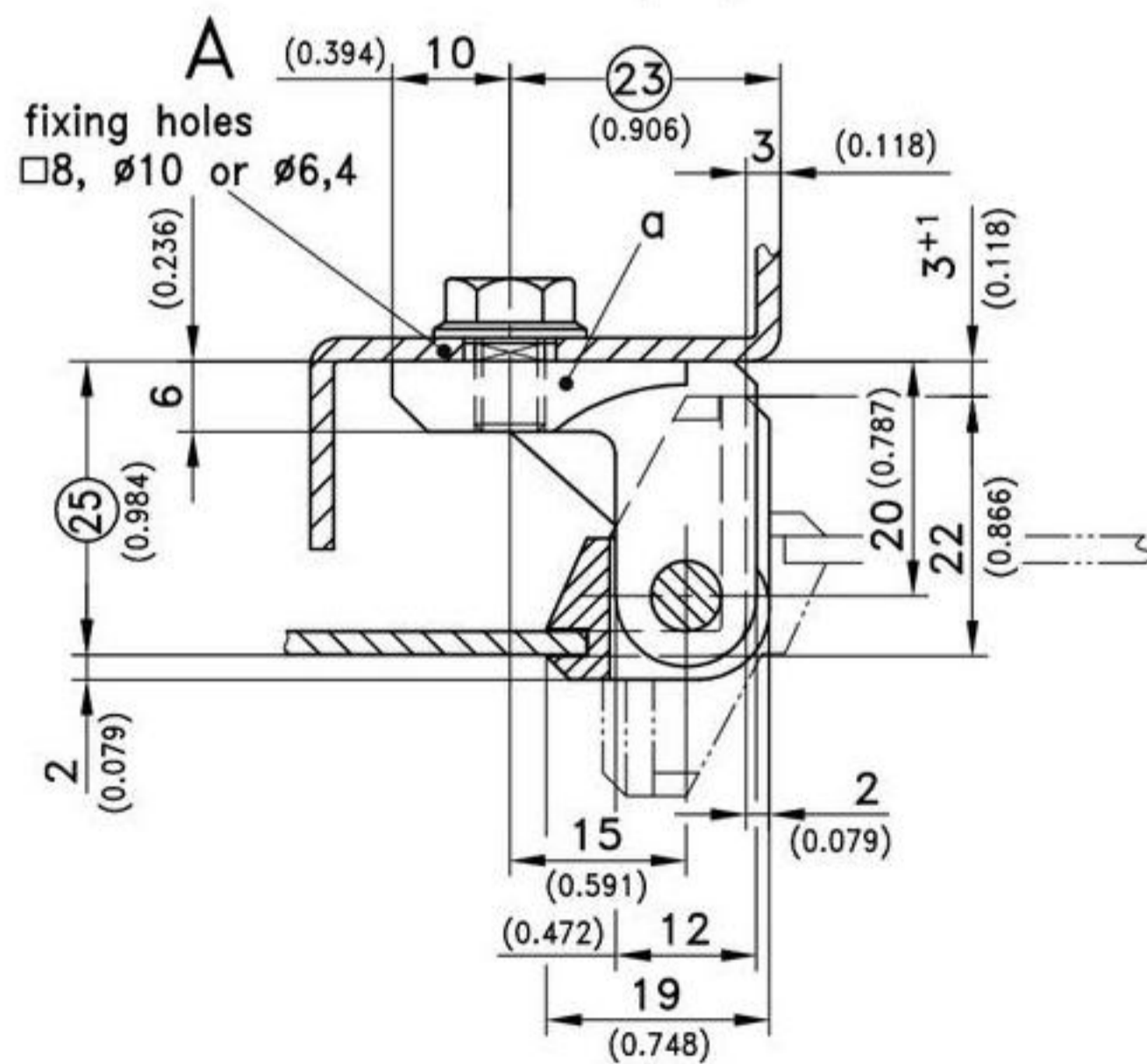
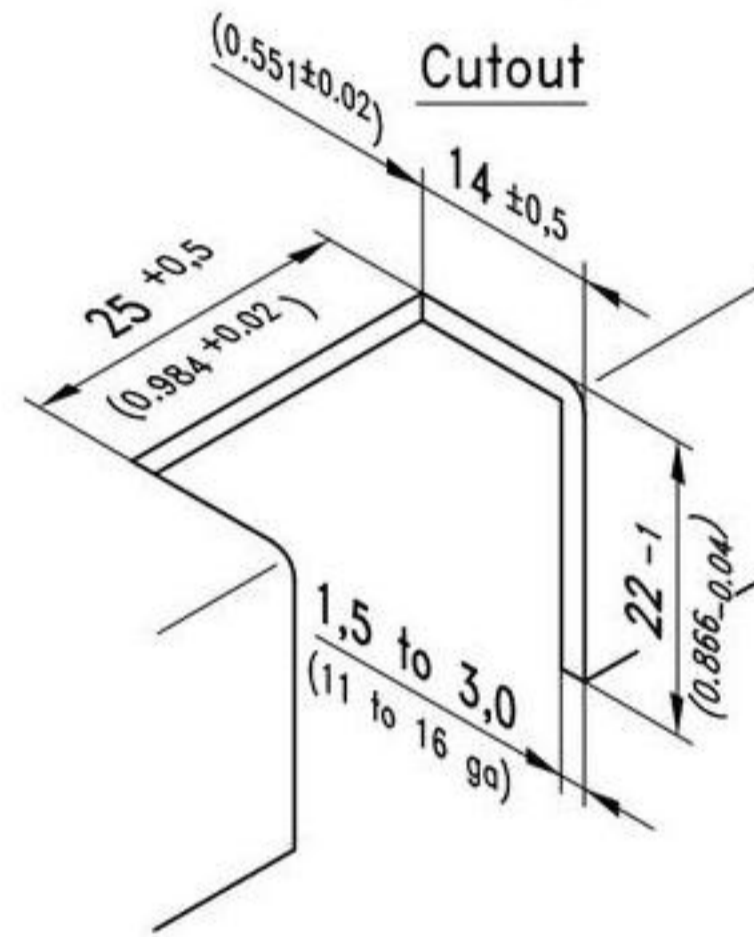
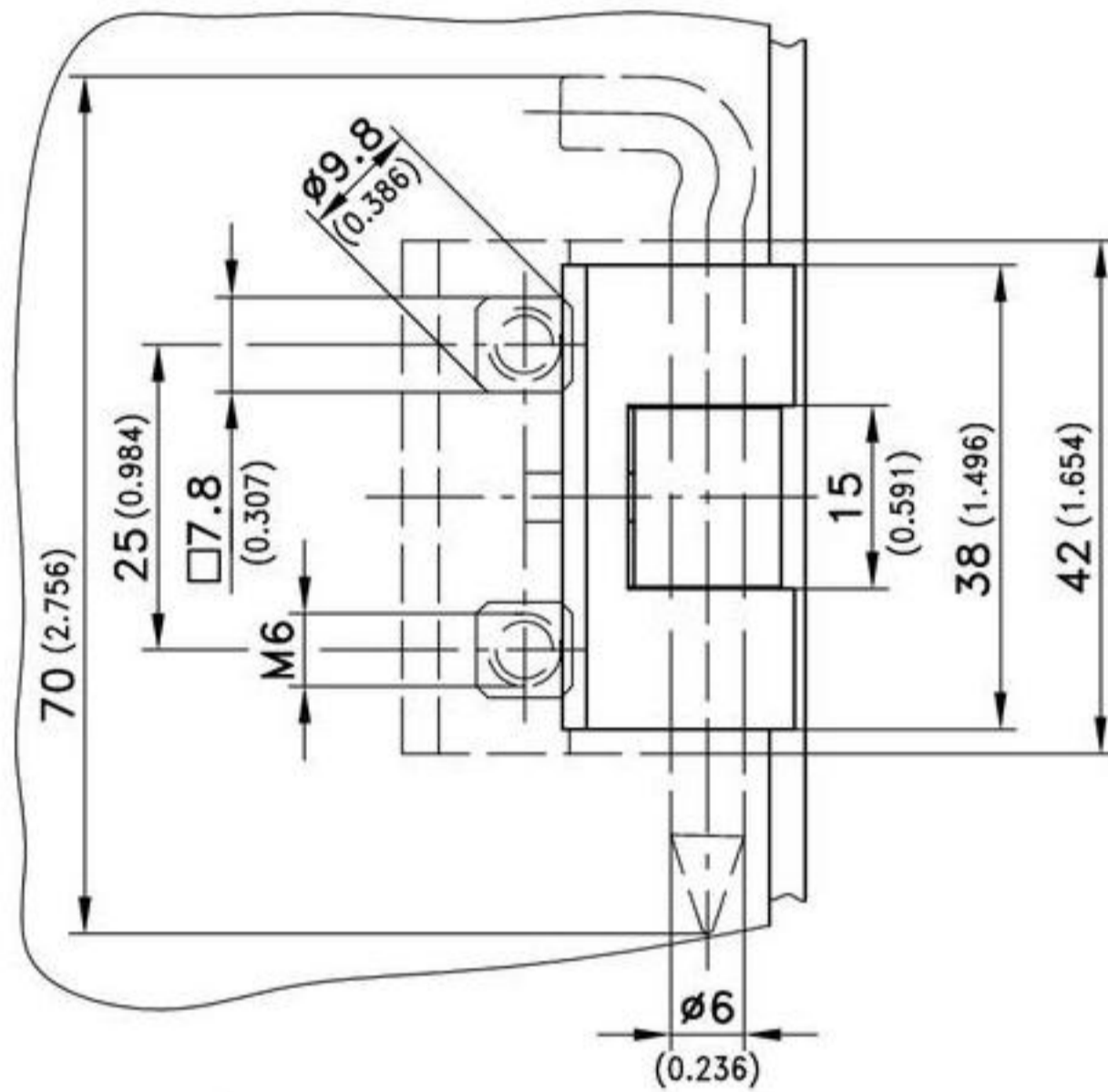


180° Hinge for surface mounted door.

- RH or LH application.
- With M6 threaded stubs for fastening from inside or Ø6.4mm countersunk holes for fastening from outside.

Material:

- **Frame part and door part:**
zinc die, black or chrome plated
- **Pin:**
steel, zinc plated or stainless steel



	A door gauge 1.5 to 2 (16 to 14ga)		B door gauge 2.5 to 3.2 (12 to 11ga)		see page
Frame part	chrome plated	black	chrome plated	black	
a) with M6 threaded stubs	212-9019	212-9013	212-9519	212-9513	
a1) countersunk Ø6.4 for M6	212-9020	212-9014	212-9520	212-9514	
a2) with stainless steel pin, Ø6.4 for M6	-	212-9065	-	-	

Version with pin made of stainless steel or POM on request.

Screws

09.4, 09.5