

### 4-160 Hinge Pr05 180°

Adjacent cabinets, door bending 20mm for nested door for surface mounted door

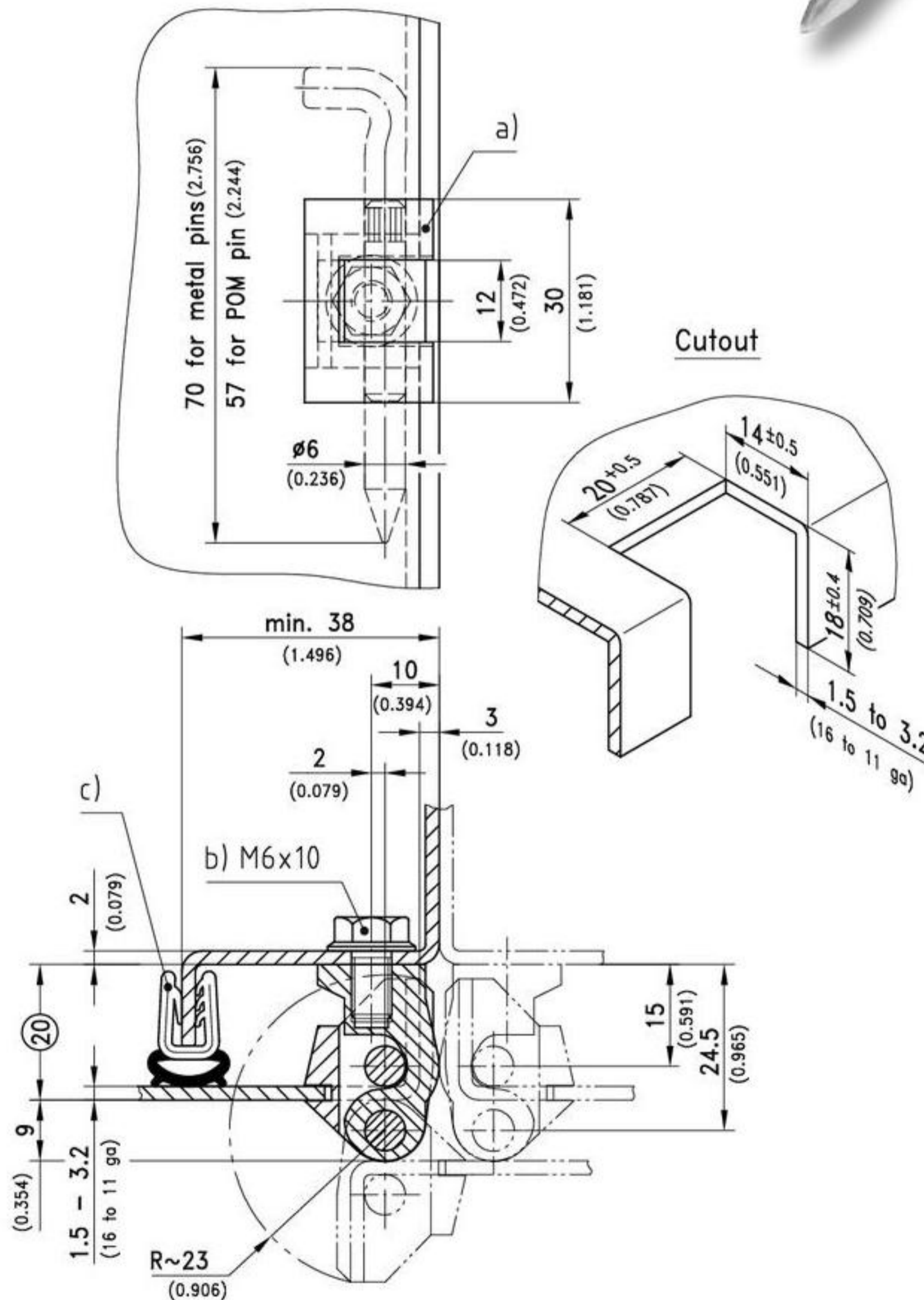


180° Hinge for surface mounted door.

- RH or LH application
- 180° opening angle even with adjacent doors.
- This hinge is completely interchangeable with the hinge on page 06.75.
- **Attention:** The shifted pivot point gives a larger radius.

**Material:**

- a), a1) and a2)
- **Frame part and door part:** zinc die, black or chrome plated
- **Pivot:** stainless steel
- a)
- **Pin:** steel, zinc plated
- a1)
- **Pin:** stainless steel
- a2)
- **Pin:** POM natural



Hinge and pivot with	door gauge 1.5 to 2 (16 to 14ga)		door gauge 2.5 to 3.2 (12 to 11ga)		see page
	chrome plated	black	chrome plated	black	
a) Pin, steel (zinc plated)	212-9007	212-9010	212-9507	212-9510	
a1) Pin, stainless steel	212-9008	212-9011	212-9508	212-9511	
a2) Pin, POM natural	212-9009	212-9012	212-9509	212-9512	
Stainless steel version					10.71
b) Screws					09.4
c) e.g. Clip-on profiles			209-0201		07.19