

### 4-150 Hinge Pr05 180°

for single cabinet door, bending 20mm, for surface mounted door

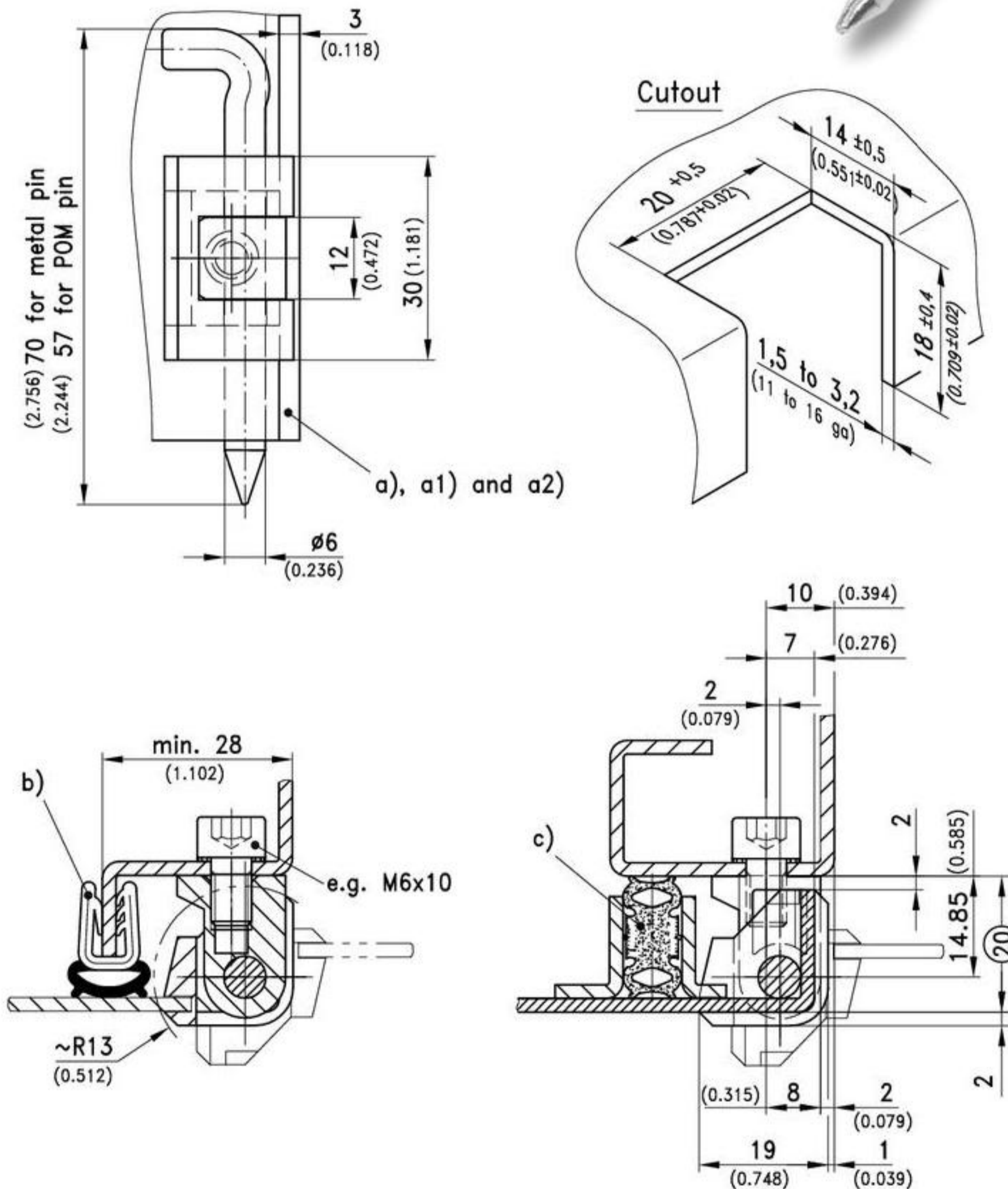


180° Hinge for surface mounted door.

- RH or LH application.
- The door part has 2 stubs, keeping it in position during mounting of the pin.

**Material:**

- **Frame part and door part:**  
zinc die, black or chrome plated
- **Pins:**  
steel, zinc plated; stainless steel or POM natural



Hinge	door gauge 1.5 to 2 (16 to 14ga)		door gauge 2.5 to 3.2 (12 to 11ga)		see page
	chrome plated	black	chrome plated	black	
a) Pin, steel zinc plated	212-9001	212-9004	212-9501	212-9504	
a1) Pin, stainless steel	212-9002	212-9005	212-9502	212-9505	
a2) Pin, POM natural (selfsecuring)	212-9003	212-9006	212-9503	212-9506	
<b>Screws</b>					
b) e.g. Clip-on profile				209-0201	07.19
c) e.g. Sealing				209-0122	07.8

## 4-150SL Hinge Pr05 SNAP-LINE 180°

single cabinet, Door bending 20mm, Surface mounted door

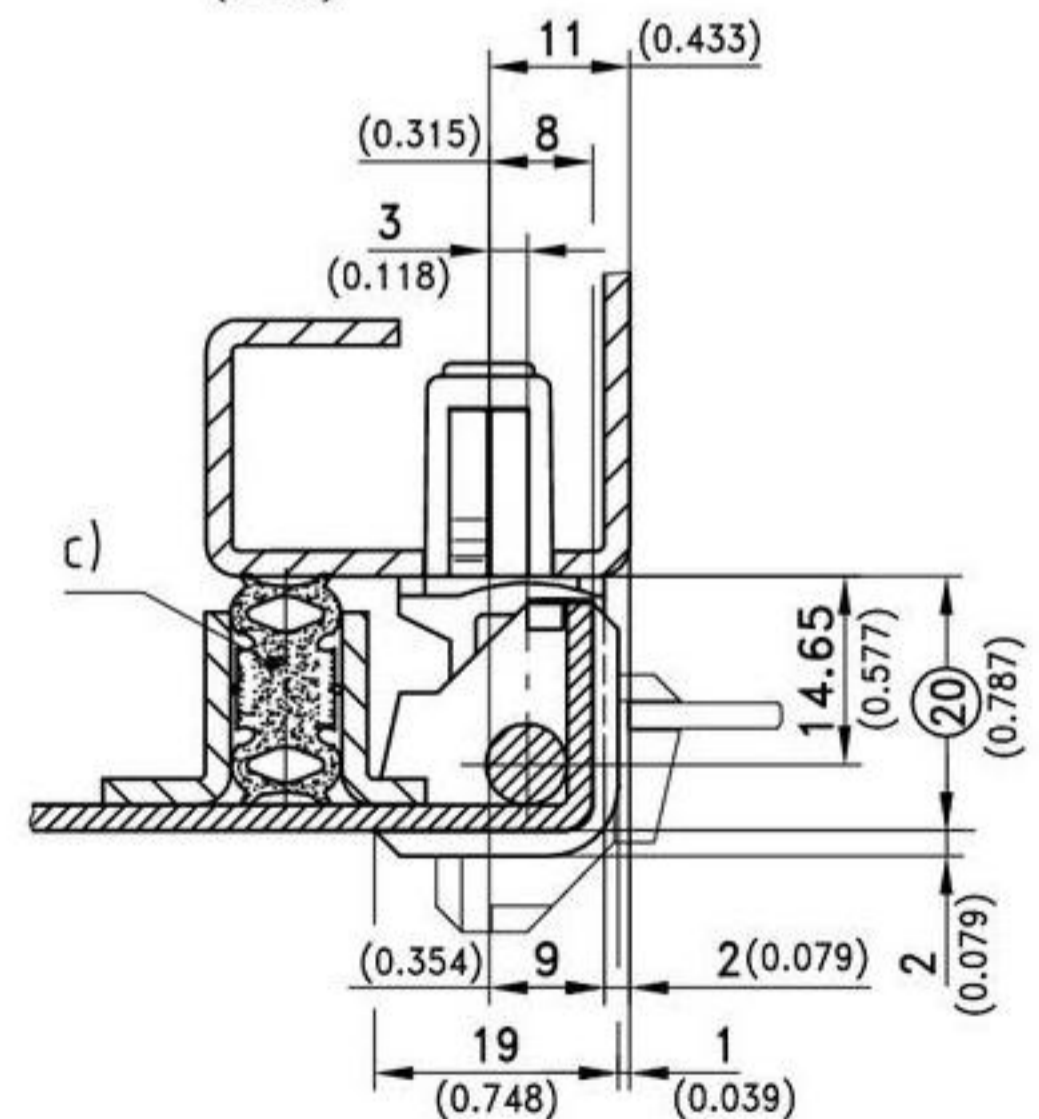
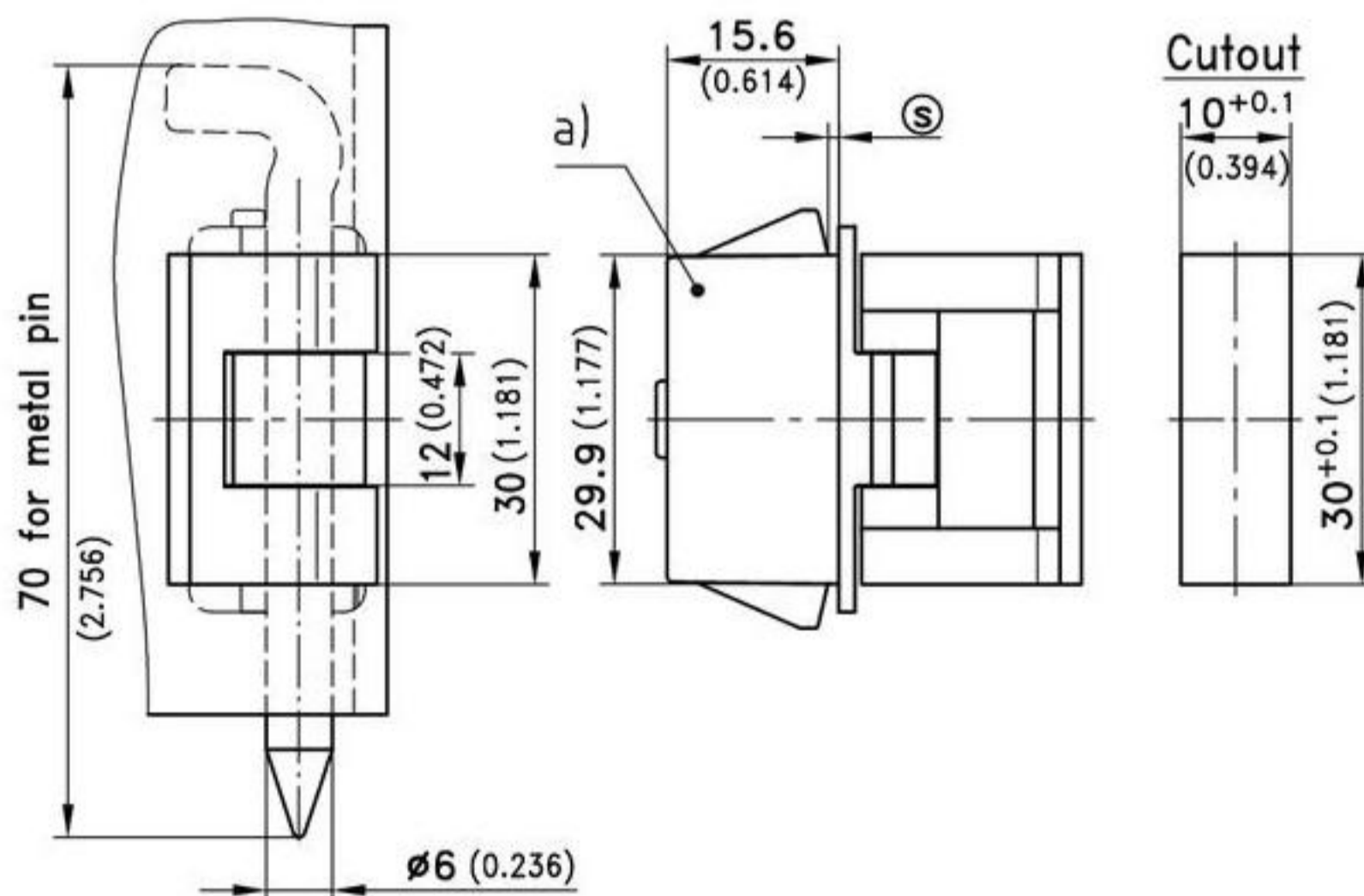
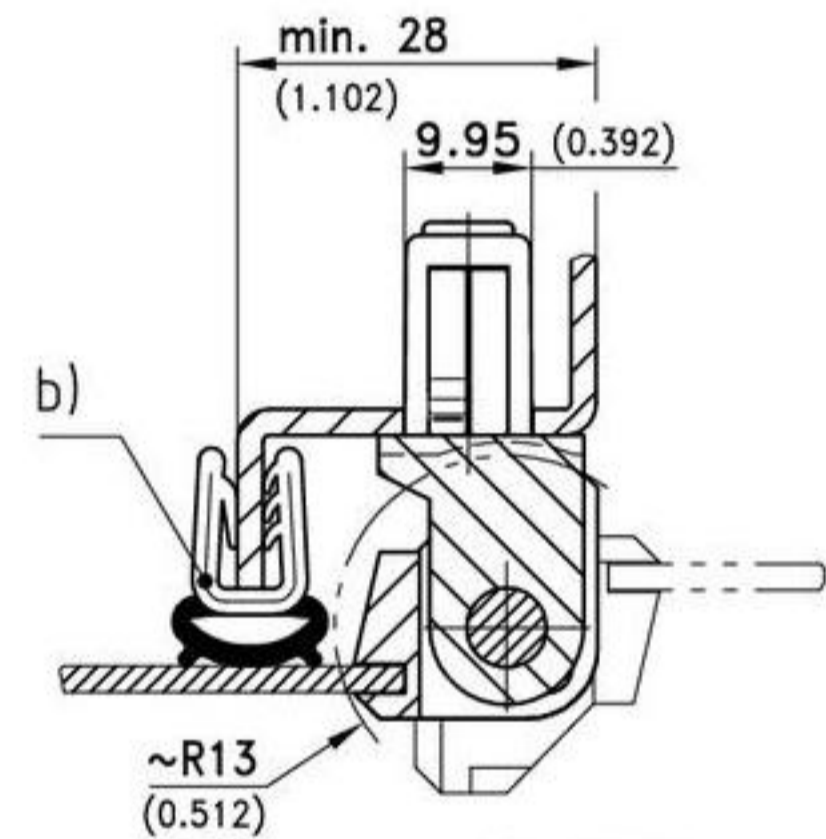
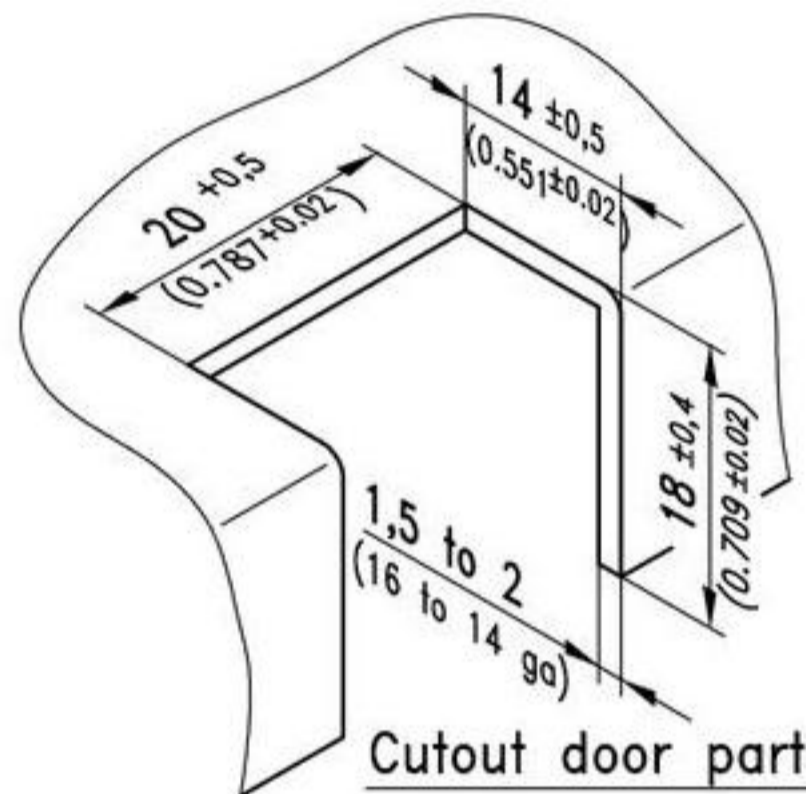
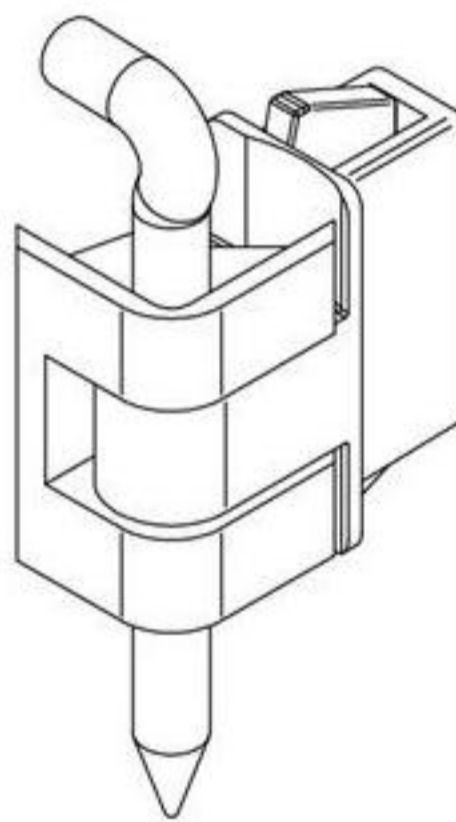


180° hinge for surface mounted door.

- RH and LH application.
- The door part has 2 stubs, keeping it in position during mounting of the pin.
- Installation of the frame-part by simple push into the cutout.

**Material:**

- **Frame part and Door part:** zinc die, matt black
- **Snap wedges:** sintered steel



	clamping range ©	Part No.	see page
a) 180° hinge	1,2 - 1,7	412-9101.00-00015	
	1,7 - 2,2	412-9101.00-00020	
	2,2 - 2,7	412-9101.00-00025	
	2,7 - 3,2	412-9101.00-00030	
POM and stainless steel on request!			
b) e.g. Clip-on profile		209-0201.00-00000	07.19
c) e.g. Clip-on gasket		209-0122.00-00000	07.8
Cover for cutout 30x10		292-0401.00-03010	01.106
Reinforcement plate for thin-walled sheets and for higher loads:		292-0702.15-01030	01.108
Tool for uninstallation		292-0306.80-02530	01.109