

7-069 Profile-Cylinder

stainless steel AISI 316, with insert

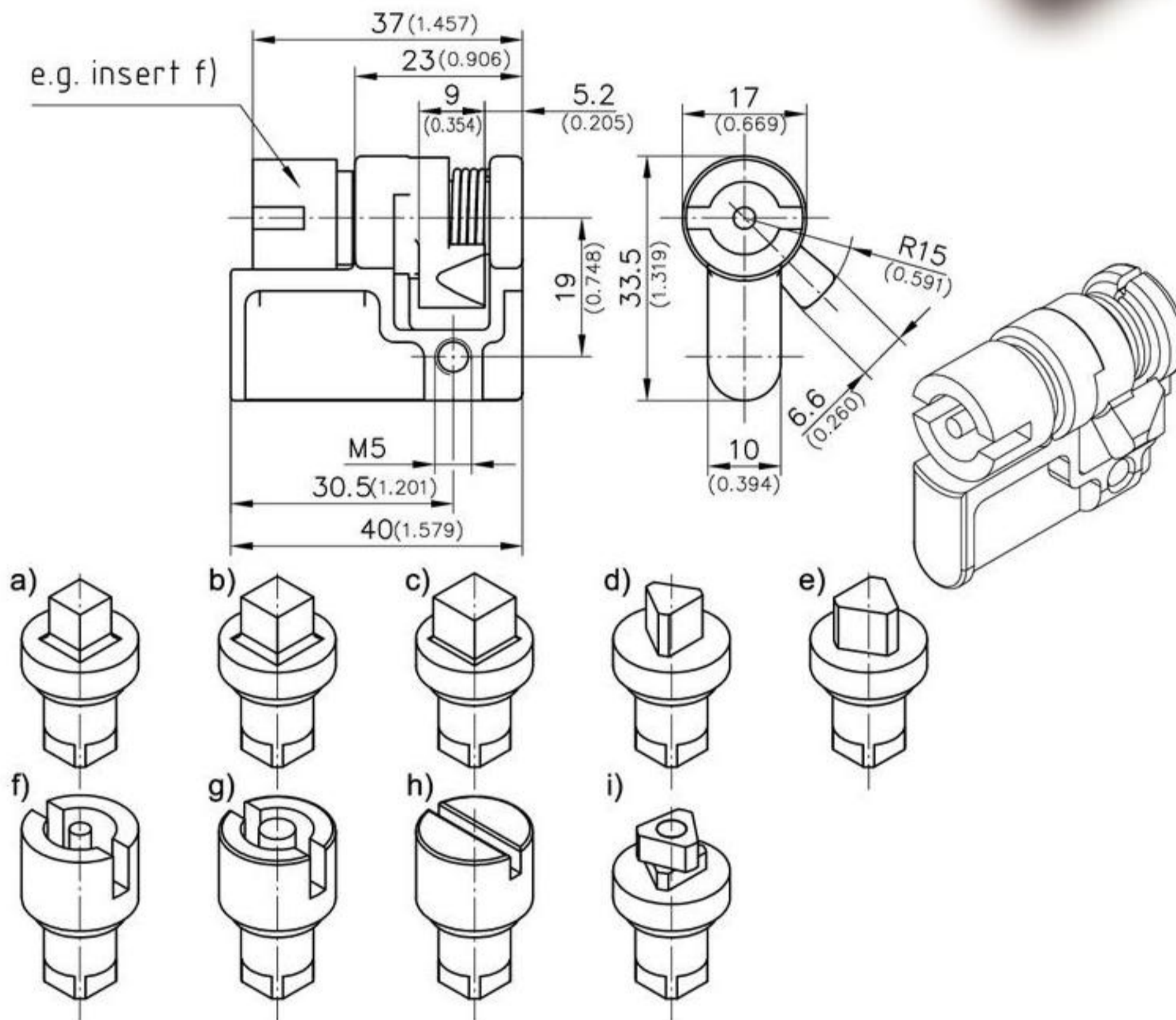
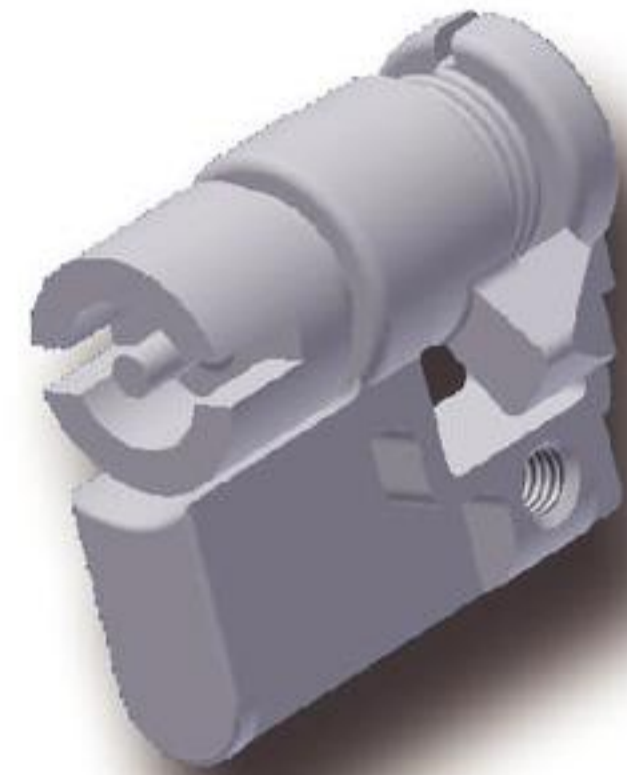


Profile-Cylinder with insert for swinghandles see page 10.26 and 10.24.

- 40mm (1.575) Length
- Spring loaded clip-in cam.
- **i) Security insert with free rotating 8mm triangular front part. The free rotating front part increases the security because the insert can only be opened with the suitable triangular key.**

Material:

- **Housing, cam and insert:**
stainless steel



Profile Cylinder with insert	Part No.	see page
a) Square 6	211-9226	
b) Square 7	211-9227	
c) Square 8	211-9228	
d) Triangular 7	211-9229	
e) Triangular 8	211-9230	
f) Double bit 3 pin	211-9231	
g) Double bit 5 pin	211-9232	
h) Slotted 2x4 deep	211-9233	
i) Security insert with free rotating 8mm triangular front part.	211-9242*	
Key for insert		09.8
Other profile cylinders		03.34

* Price and delivery time on request