

2-140 Profile-Cylinder

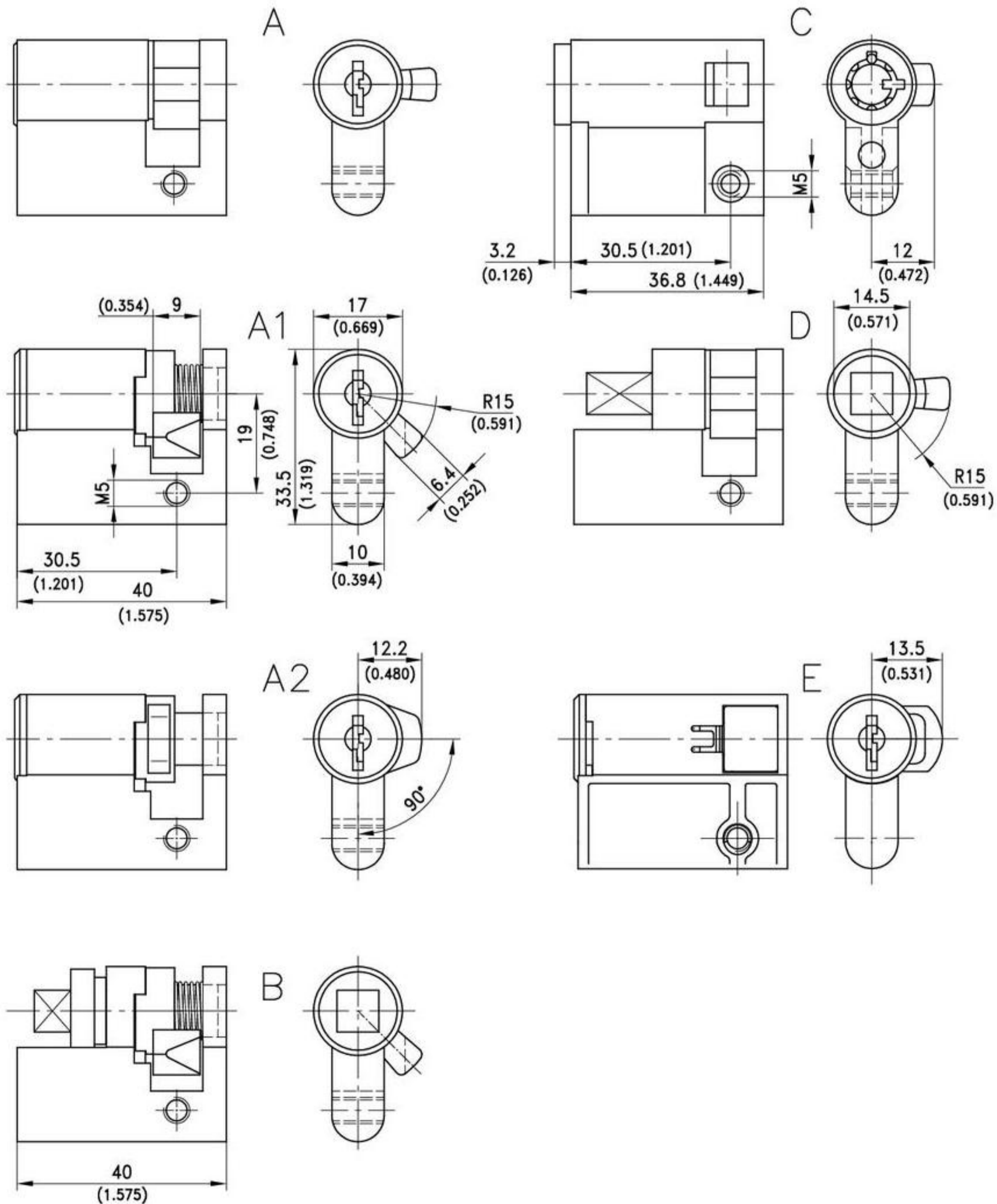
for Swinghandle

Profile Cylinders for Swinghandles see page 03.06, 03.12, 03.08, 03.16, 03.14, 03.21, 03.30, 03.32 or 04.18, 04.21, 04.16, 04.30.

- **Version A:** Key removable in closed status only.
- **Version A1:** Key removable in locked position only. Spring loaded clip-in cam.
- **Version A2:** Key removable in locked and unlocked position. Cam has 90° stroke, not clip-in. Cam length is 12.2mm/0.480.
- **Version B:** Cam is spring loaded and is of clip-in type.
- **Versions A1, A2 and C** are supplied with 2, **Version A** with 3 keys.

Material:

- **A and D:** brass, nickel plated
- **A1, A2, B and C:** zinc die, chrome plated
- **Blank:** PA, black
- **Housing and bolt:** PA, black
- **Cylinder:** zinc die





2-140 Profile-Cylinder

for Swinghandle

Version	Key type	Part No.	see page
A	Profile Cylinder to DIN 18252/18254, 8x45° adjustable		
	keyed different/mixed	211-9001	
	Masterkey-system on request		
	keyed alike, key-no. BC 5014	211-9002	
A1	DIRAK key system, clip-in pawl		
	keyed different/mixed*	211-9101	
	keyed alike DIRAK 1333*	211-9102	
	keyed alike DS200*	511-9102	
A2	DIRAK key system, cam NOT spring loaded, 90° rotation		
	keyed different/mixed*	211-9301	
	keyed alike DIRAK 1333*	211-9302	
	keyed alike DS200*	511-9302	
B	Profile cylinder with insert		
	Polyamide-plug without spring-loaded ball	211-0401.03	
	Polyamide-plug with spring-loaded ball	211-9201	
	Square 6mm	211-9202	
	Square 7mm	211-9203	
	Square 8mm	211-9204	
	Square 8mm slotted	211-9205	
	Triangular 7mm	211-9206	
	Triangular 8mm	211-9207	
	Double bit 3 pin	211-9208	
	Double bit 5 pin	211-9209	
	Triangular 6,5 CNOMO Typ 1	211-9210	
	Socket hex. 10mm	211-9211	
	Slotted 2x4mm deep	211-9212	
	Daimler Benz type	211-9213	
	Crown type	211-9214	
	Square female socket 6mm	211-9215	
	Square female socket 7mm	211-9216	
	Square female socket 8mm	211-9217	
	Slotted recessed coin proof	211-9218	
	Crescent Czech	211-9219	
	Hex Belcore 7/16"	211-9220	
	Key for insert		09.8
Further versions on request			
C	Profile Cylinder push-lock with Tubular Lock		
	keyed different/mixed	211-9106	
	keyed alike D0205	211-9107	
D	Profile Cylinder, (brass, nickel plated) 360° for hollow key		
	Square 7mm	204-0102	211-9402
	Square 8mm	204-0103	211-9403
	Triangular 8mm	204-0105	211-9405
Special inserts on request			
E	Slam-profile cylinder with PA housing and bolt		
	keyed alike DIRAK 1333*	211-9113	
	keyed different/mixed (dual entry)*	211-9115	
	211-9114 has been reserved for keyed different with other key-types (single entry key!)		

* with stainless dust-shutter