

### 4-290 Hinge Pr04 180°

Lift-off, for adjacent cabinets and surface mounted door

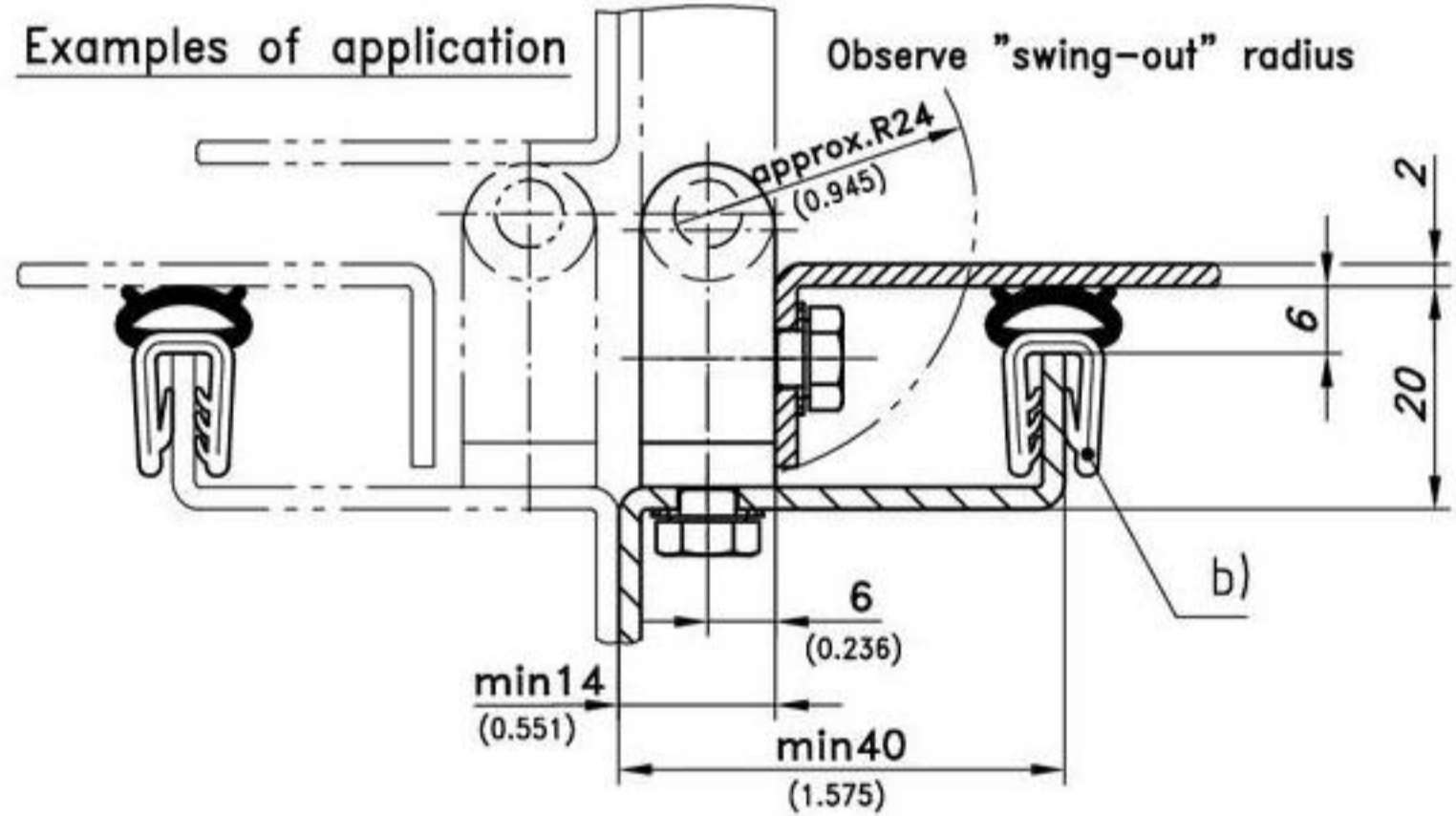
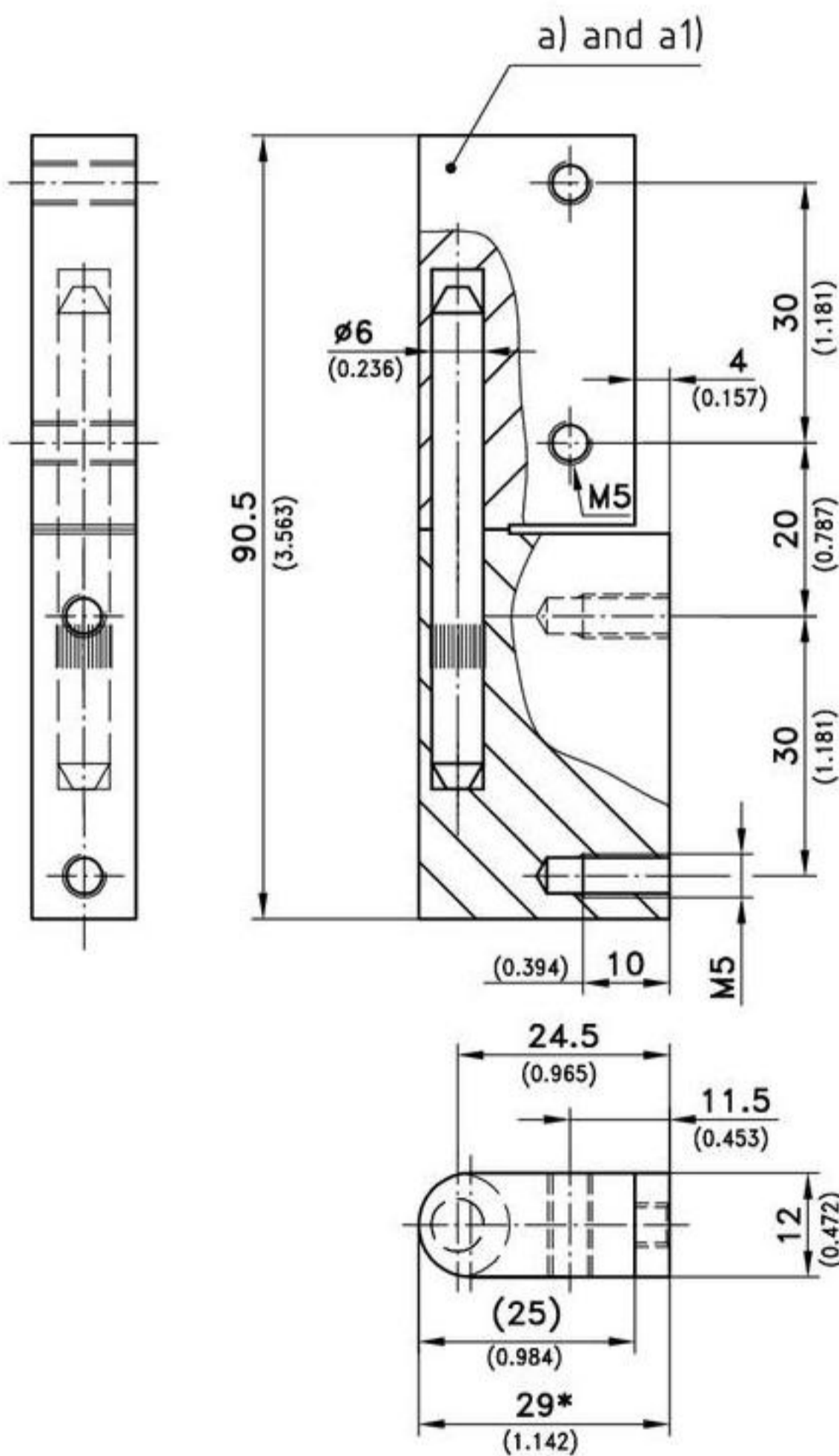


180° hinge for surface mounted door, screw-on.

- RH or LH application.
- The opening angle of 180° can also be achieved with adjacent doors.
- Door is lift-off.

**Material:**

- **Hinge Parts:**  
zinc die, black or chrome plated
- **Pin:**  
stainless steel



Version	chrome plated	black	see page
a) Hinge	210-9002	210-9001	
a1) For bending up to 30mm *(39mm high instead of 29mm)	-	210-9003	
b) i.e. Clip-On Profiles		209-0201	07.19