

5-150 Gasket with a steel clip-on core

EPDM / NBR



Clip-on profiles combine the characteristics of edge protection profiles and sealing profiles.

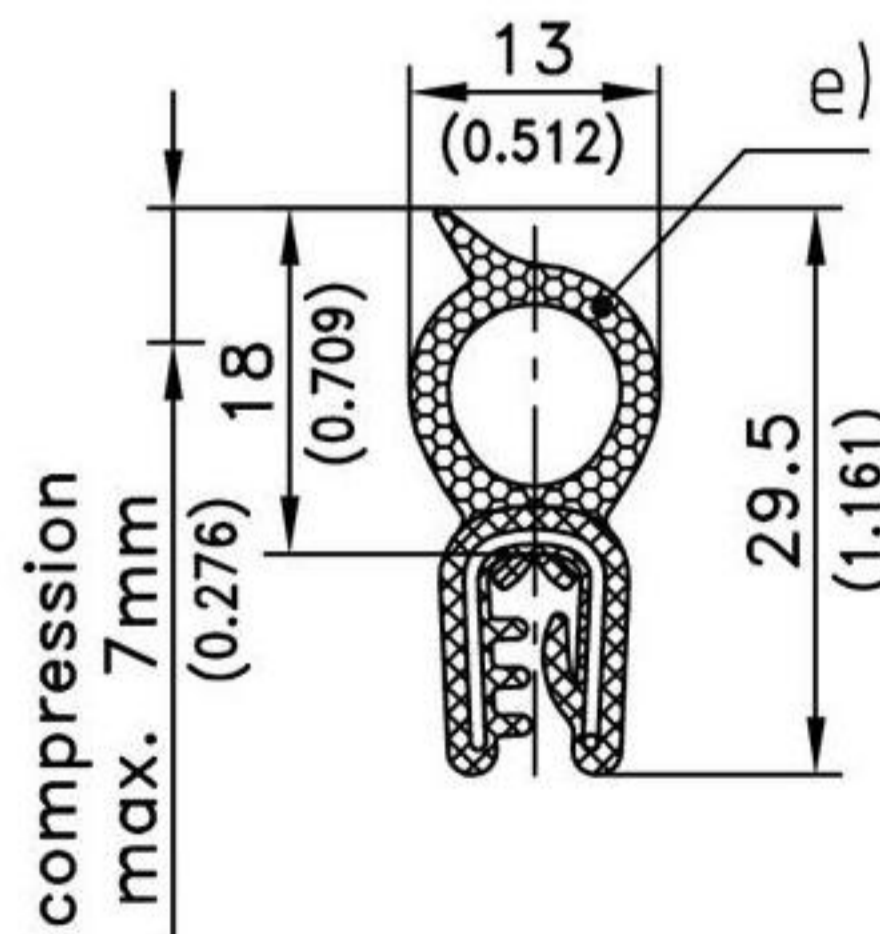
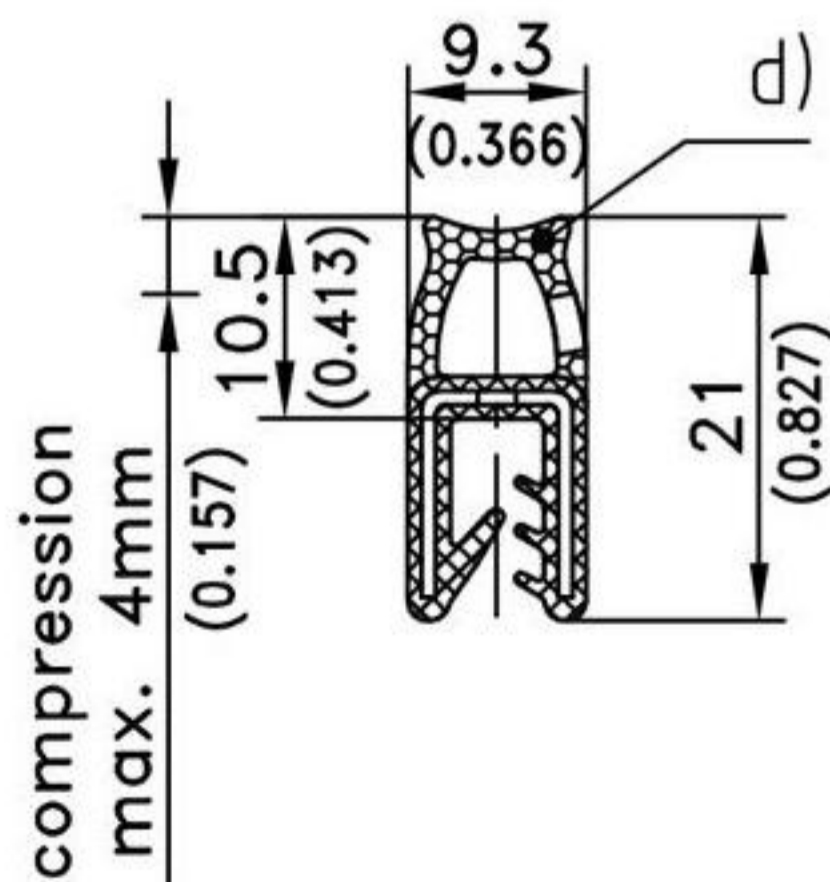
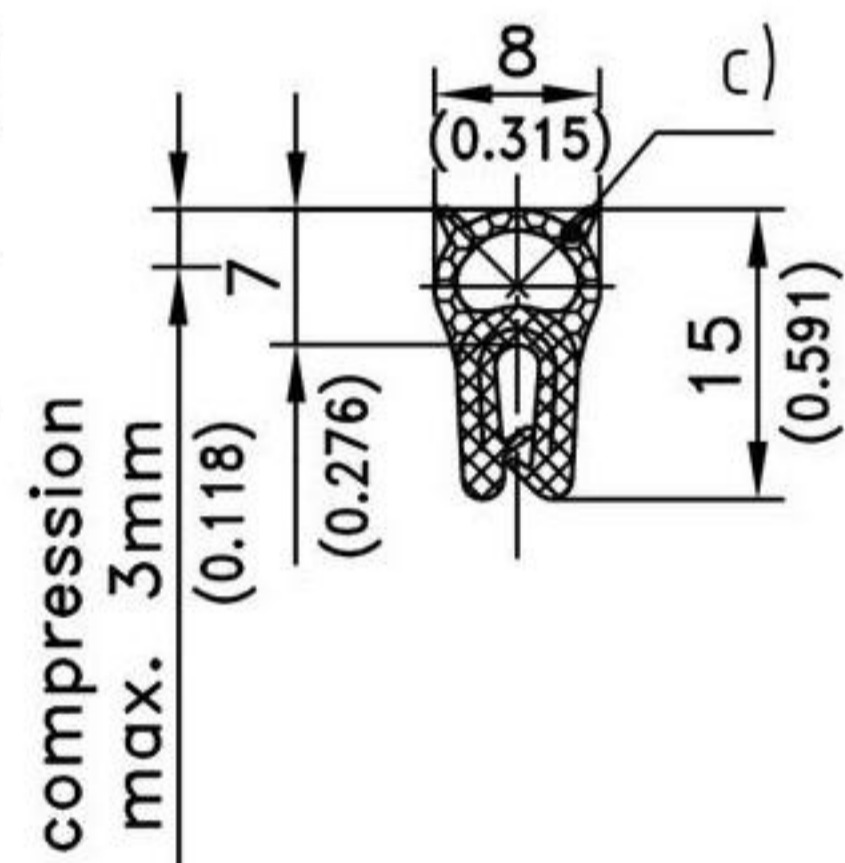
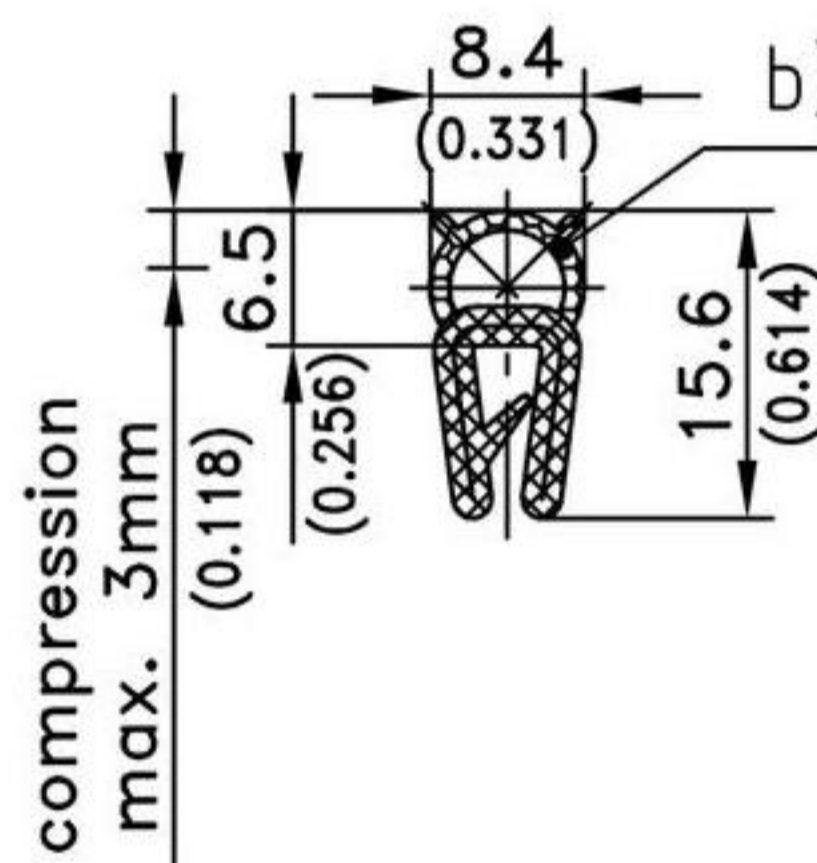
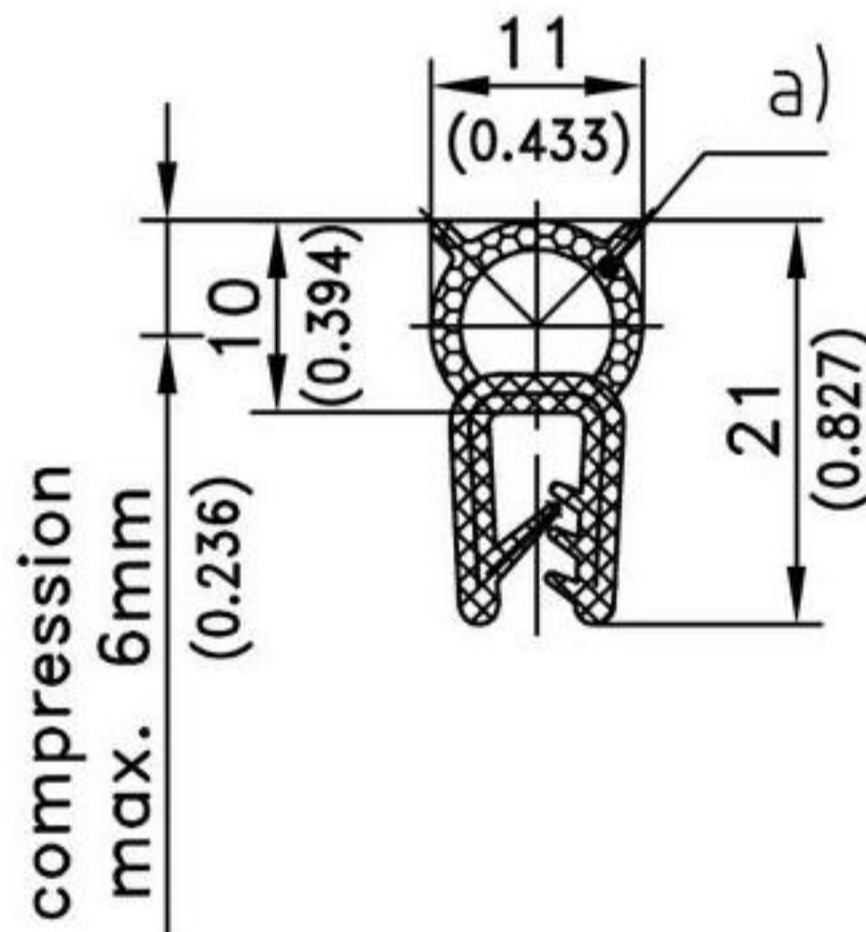
- clip-on sealing
- The sealing part of these profiles is made of foam rubber and the clamp area consists of soft rubber with a steel clip-on core.
- In an extrusion process the two materials are bonded to each other through vulcanization.
- The profiles made of NBR are oil resistant.

• Customized designs:

- If the cross-sections shown here are not suitable for your specific application, we can produce a customized profile to meet your needs.

Material:

- EPDM or NBR
- **Carrier:**
soft rubber
- **Sealing part:**
Sponge rubber



Material	color	clamping range	packaging unit	Part No.	UL
a) EPDM, Soft / foam rubber	black	1,5 - 3,0mm	50m	209-0201	*
a1) EPDM, Soft / foam rubber	black	0,8 - 2,0mm	50m	209-0201.1A	
a2) NBR, Soft- / foam rubber	black	1,5 - 3,0mm	50m	209-2201	
a3) EPDM, Soft / foam rubber	black	3,0 - 4,0mm	100m	209-0240	
b) EPDM, Soft / foam rubber	black	1,0 - 2,0mm	50m	209-0205	*
c) EPDM, Soft / foam rubber	black	0,8 - 1,5mm	50m	209-0205.1A	
d) EPDM, Soft / foam rubber	black	1,0 - 2,5mm	75m	209-0211	
e) EPDM, Soft / foam rubber	black	1,0 - 2,5mm	75m	209-0220	*