

5-152 Clip-on Sealing Profiles

EPDM



Clip-on sealing profiles extend the properties of edge protection profiles to include sealing.

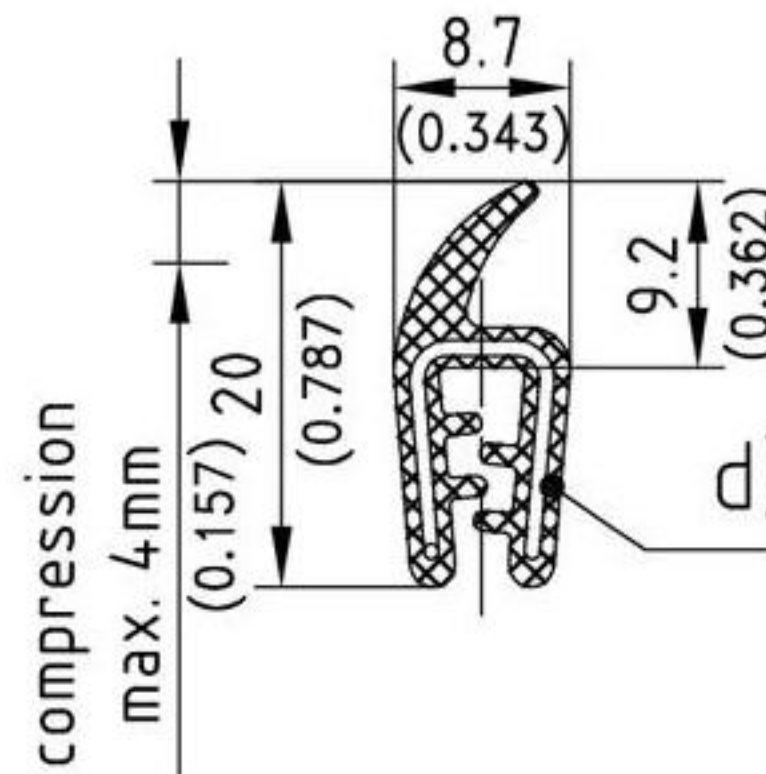
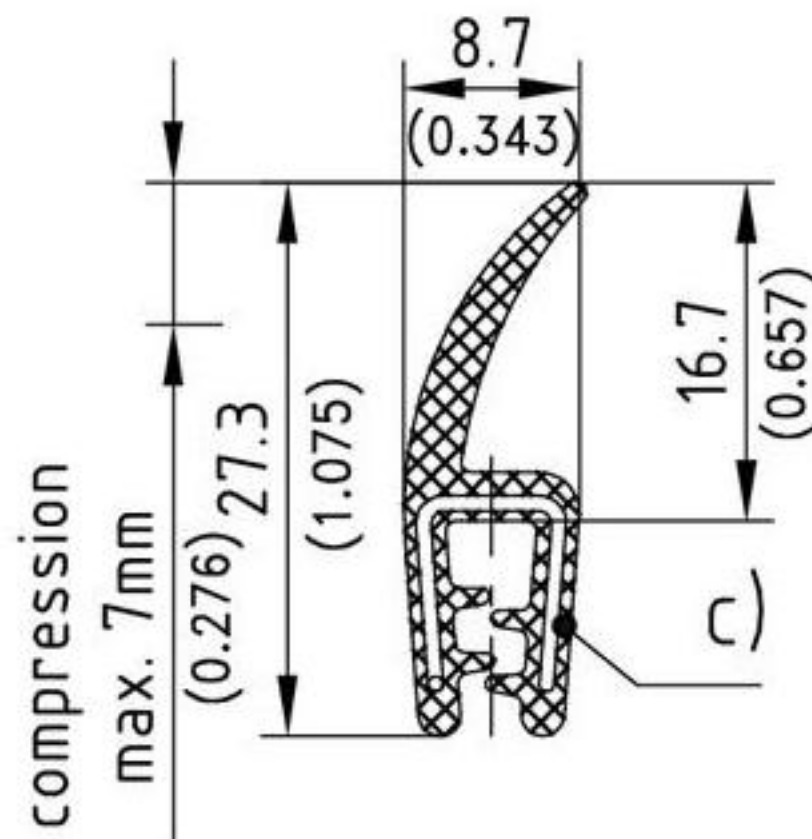
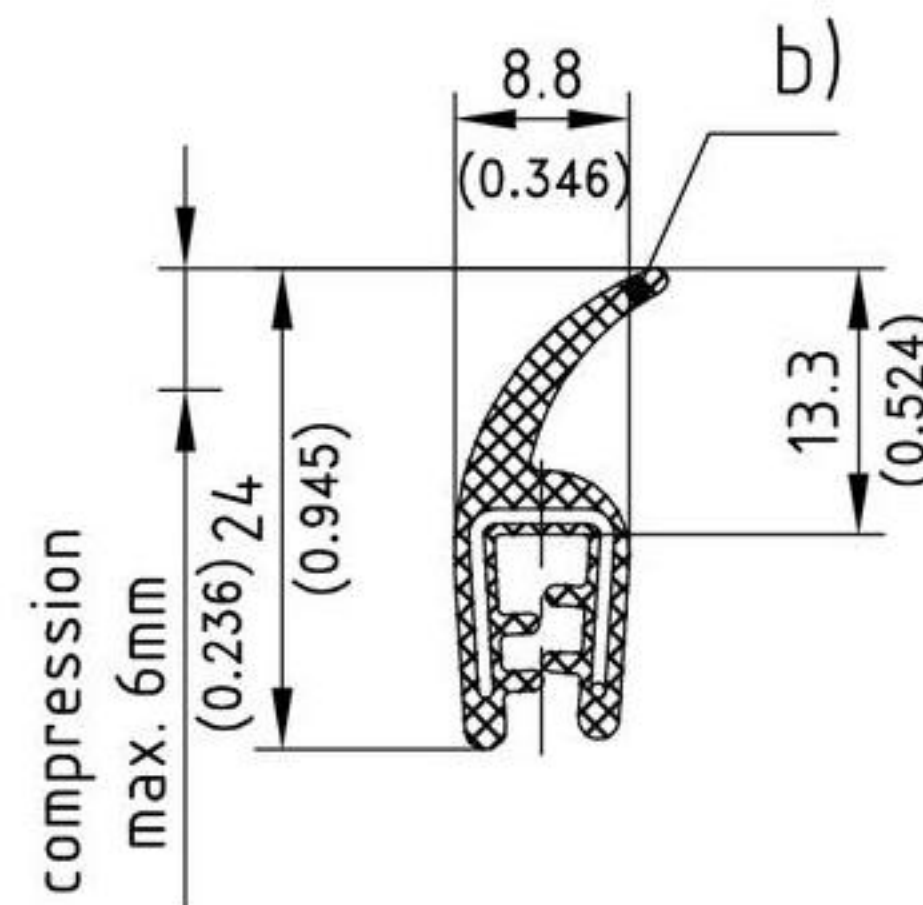
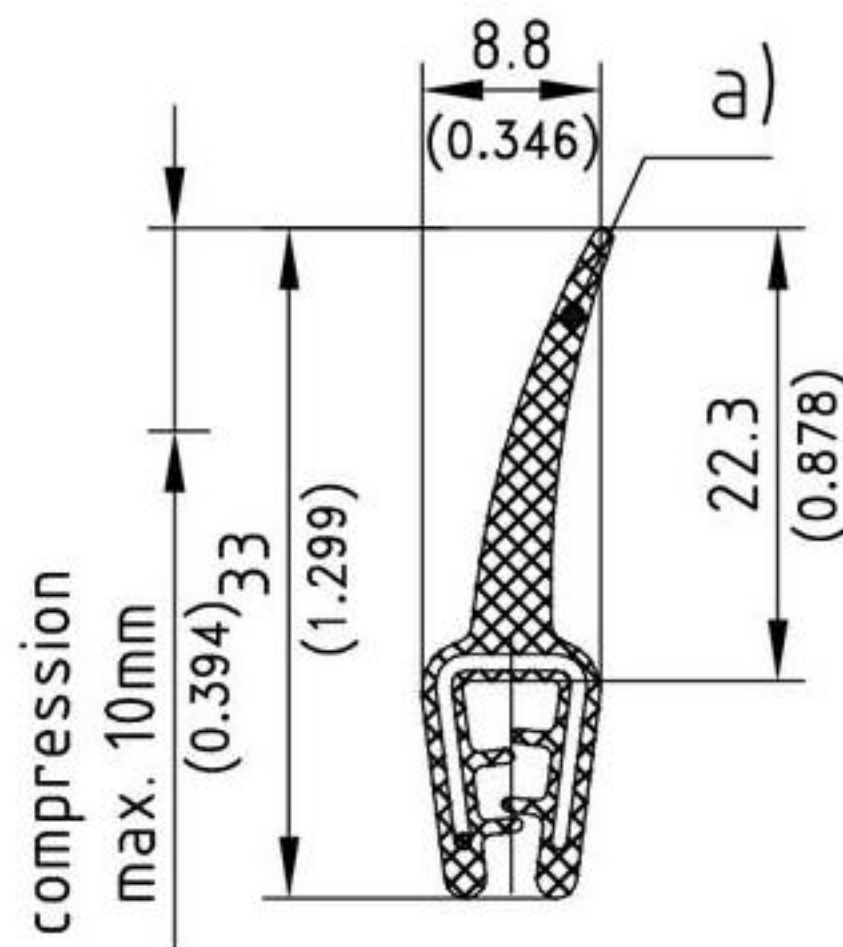
- Clip-on sealing
- The sealing part of these profiles is made of foam rubber and the clamp area consists of soft rubber with a steel clip-on core.
- In an extrusion process the two materials are bonded to each other through vulcanization.

Customized designs:

- If the cross-sections shown here are not suitable for your specific application, we can produce a customized profile to meet your needs.

Material:

- EPDM
- **Carrier:** soft rubber
- **Sealing part:** Sponge rubber



Material	color	clamping range	packaging unit	Part No.
a) EPDM, Soft / foam rubber	black	1,0 - 2,5mm	50m	209-0219
b) EPDM, Soft / foam rubber	black	1,0 - 2,5mm	50m	209-0221
c) EPDM, Soft / foam rubber	black	1,0 - 3,0mm	50m	209-0237
d) EPDM, Soft / foam rubber	black	1,0 - 2,0mm	50m	209-0239