

5-155 Special Profiles

EPDM

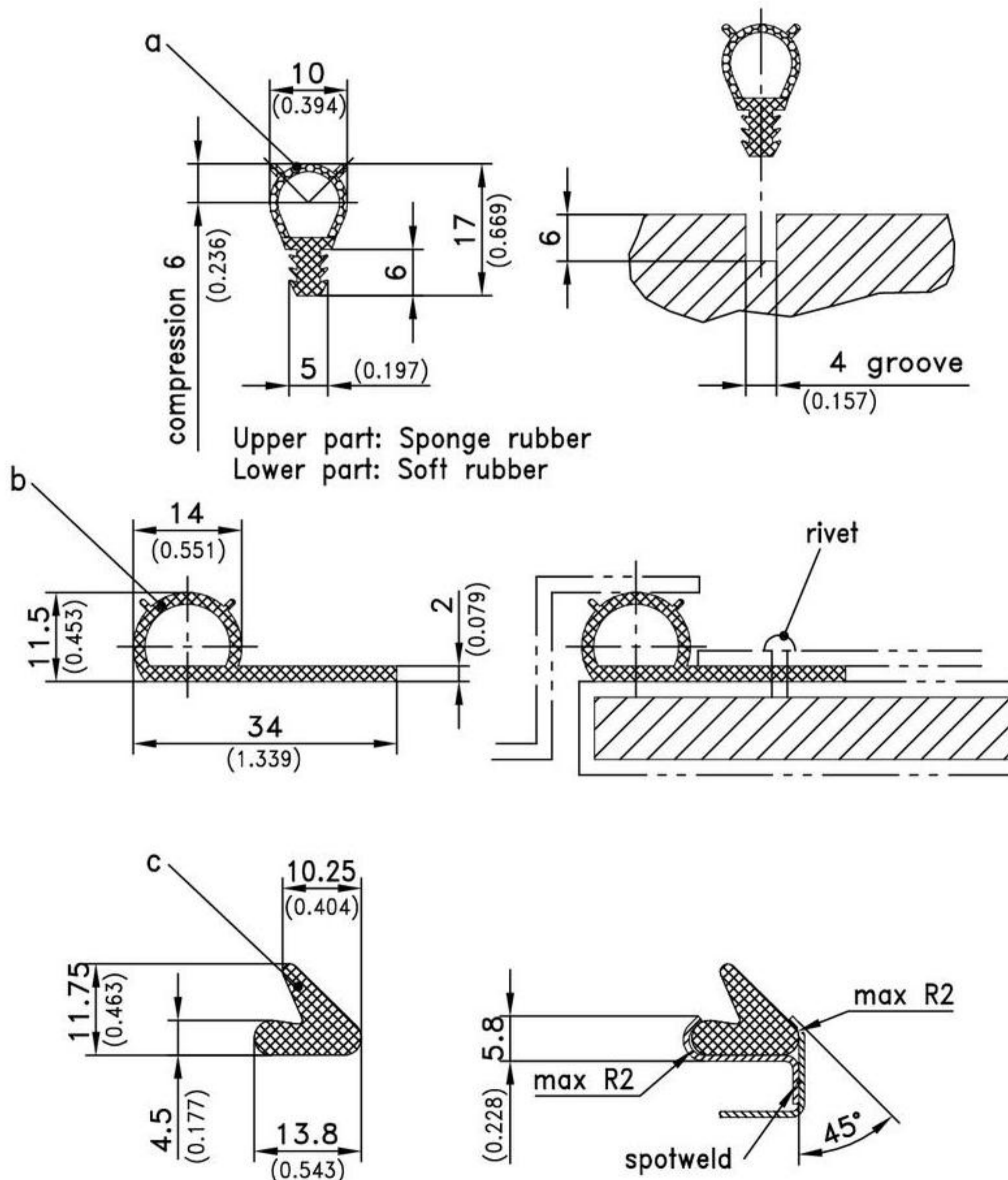


Special sealing profiles made of EPDM for application according to the shown examples.

- Tolerances: see page 07.7
- Customized designs:
If the cross-sections shown here are not suitable for your specific application, we can produce a customized profile to meet your needs.



Examples of application



Material	color	packaging unit	Part No.
a) EPDM	black	50m	209-0704
b) EPDM / 55° Shore A	black	50m	209-1203
c) EPDM / 15° Shore A	black	50m	241-0903