

5-130 Window seals

EPDM



Window seals are used to mount panes, windows, etc. in doors, casings and machine enclosures.

- The pane is clamped in place with the help of the filler and held flush-mounted in the cutout.
- The window seals are made of EPDM with excellent weathering and ozone resistance properties.
- DIRAK's EPDM quality is neutral to paints.

• Tolerances: see page 07.7

• Customized designs:

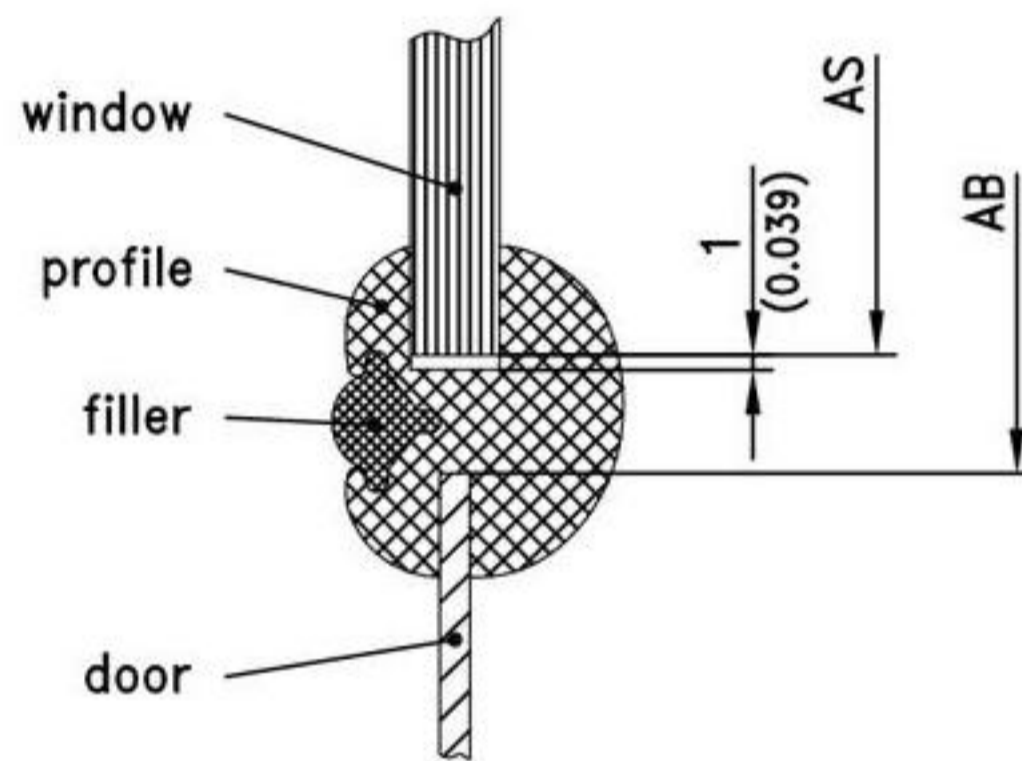
If the cross-sections shown here are not suitable for your specific application, we can produce a customized profile to meet your needs.

Material:

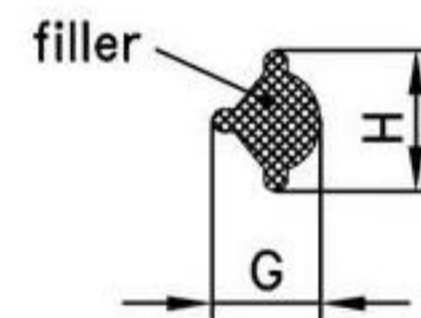
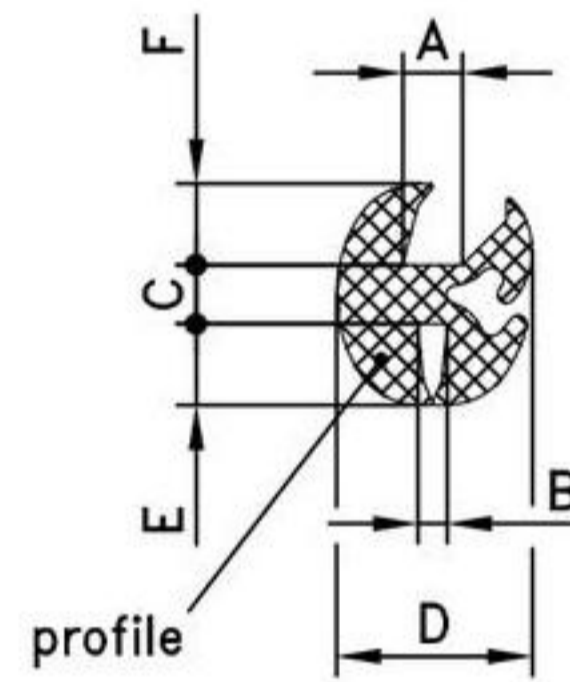
- **Profile and filler:**
EPDM, rubber



Example of application



AS=size of window
AB=size of cutout



Dimensions in mm						Bending radius	Weight	Part No.	Filler		
A	B	C	D	E	F	in mm	g / m		G	H	Part No.
4	2	4	13,0	5,5	5,5	30	154	209-0501	6	7	209-0601
4	2,5	7	16	7	7	70	235	209-0502	7,5	9,5	209-0602
6	2,5	7	18	7	7	70	270	209-0503	7,5	9,5	209-0602
3	1	4	11,6	4,5	6	35	145	209-0508	6	7	209-0601
4	1,5	7	16	7	7	80	227	209-0509	7,5	9,5	209-0602
4	2	7,3	18	11	8,7	100	405	209-0510	7,5	9,5	209-0602
4,5	5	7	16	7	7	80	300	209-0511	7,5	9,5	209-0602
5	2	7,5	19	12,5	9,5	100	410	209-0512	7,5	9,5	209-0602
5	3	7	19	8	8	90	345	209-0513	7,5	9,5	209-0602
5	3	7,5	19	12,5	9,5	100	460	209-0514	7,5	9,5	209-0602
5	5	7	18,4	9	8	90	360	209-0515	7,5	9,5	209-0602
5,5	2	7,3	19	11	8,7	100	400	209-0516	7,5	9,5	209-0602
6	1,5	7,5	19	12,5	9,5	90	400	209-0517	7,5	9,5	209-0602
6	2,5	7	19	8	8	100	350	209-0518	7,5	9,5	209-0602
6	3	7,5	19	12,5	9,5	100	410	209-0519	7,5	9,5	209-0602
6	4	7,5	19	12,5	9,5	100	390	209-0520	7,5	9,5	209-0602
6	6	8,5	19	9,5	9	100	435	209-0521	7,5	9,5	209-0602
8	3	7,5	22	12,5	9,5	120	600	209-0522	7,5	9,5	209-0602
8	4	8,5	25	12,5	10	100	620	209-0523	7,5	9,5	209-0602
10	3	7,5	23	12,5	9,5	120	600	209-0524	7,5	9,5	209-0602
10	6	7,5	24	12,5	9,5	100	570	209-0525	7,5	9,5	209-0602