

5-140 Window seals

EPDM / NBR



Window seals are used to mount panes, windows, etc. in doors, casings and machine enclosures.

- They are made of EPDM. The pane is mounted by simply pressing it into the window seal.
- Additional tools are not required. The pane is inside or outside the enclosure and hence is well-suited for use under high pressure or vacuum conditions.
- Tolerances: see page 07.7

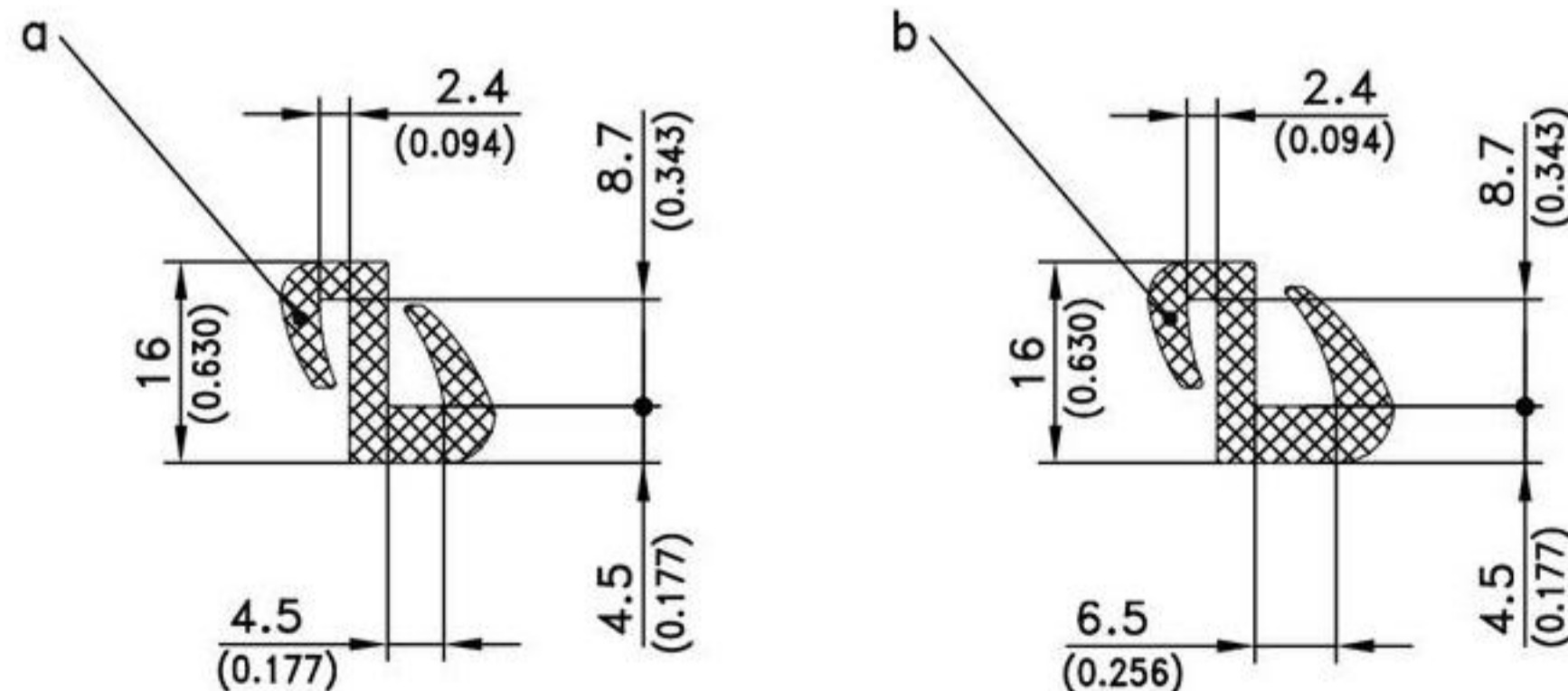
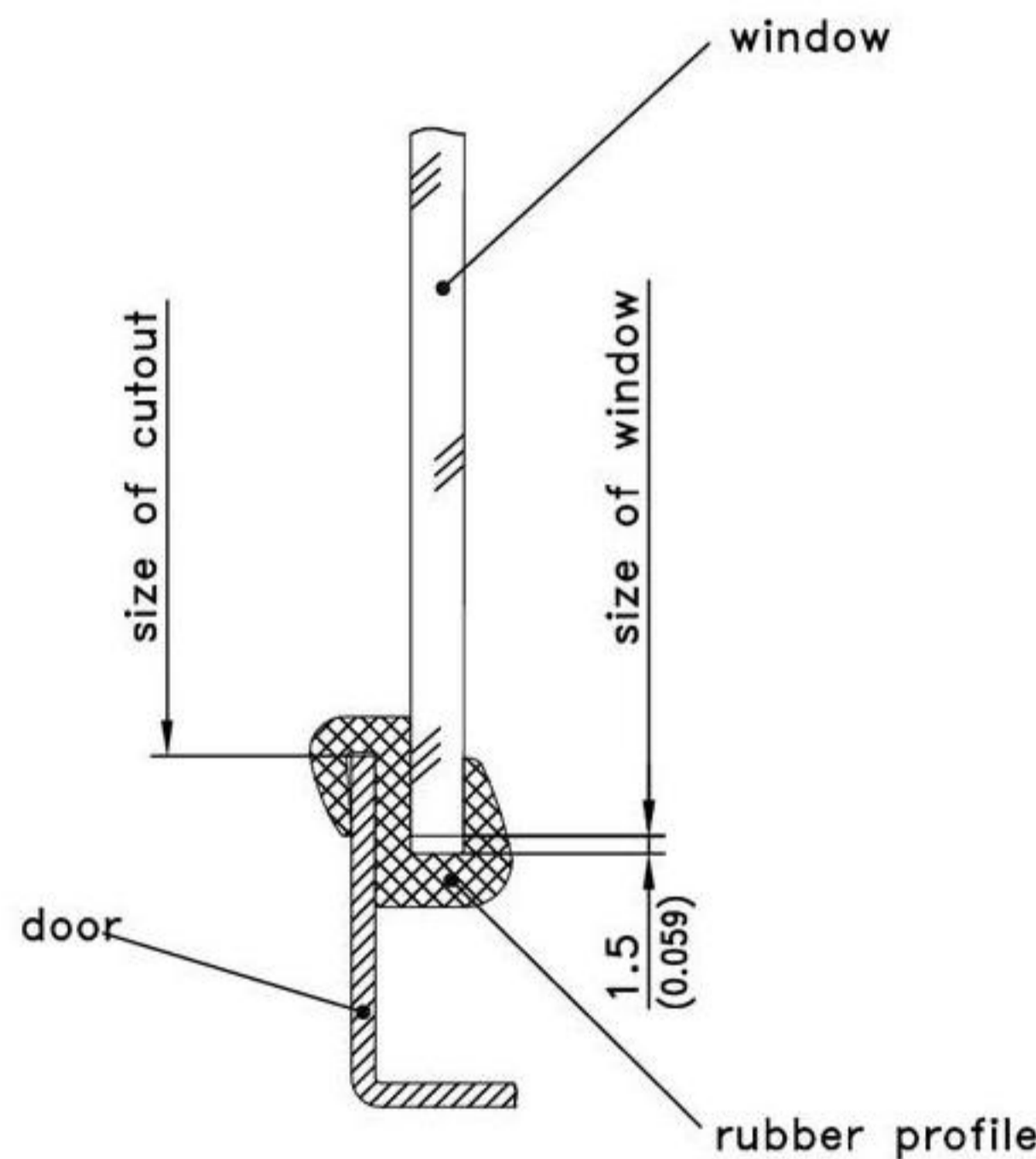
• Customized designs:

- If the cross-sections shown here are not suitable for your specific application, we can produce a customized profile to meet your needs.

- All standard window seals are available from stock.

Material:

- **Rubber quality:**
EPDM NBR is oil-resistant



color	Bending radius	packaging unit	Material	Part No.
black	min 80mm	100m	rubber/EPDM	209-0401
black	min 80mm	100m	NBR	209-0406
black	min 80mm	100m	rubber/EPDM	209-0402
black	min 80mm	100m	NBR	209-0407

Size of sheet metal cutout is equivalent to size of window - 14.5mm / 0.571