

5-153 Clip-on Sealing Profiles

PVC / foam rubber

Combination sealing profiles extend the properties of edge protection profiles to include sealing.

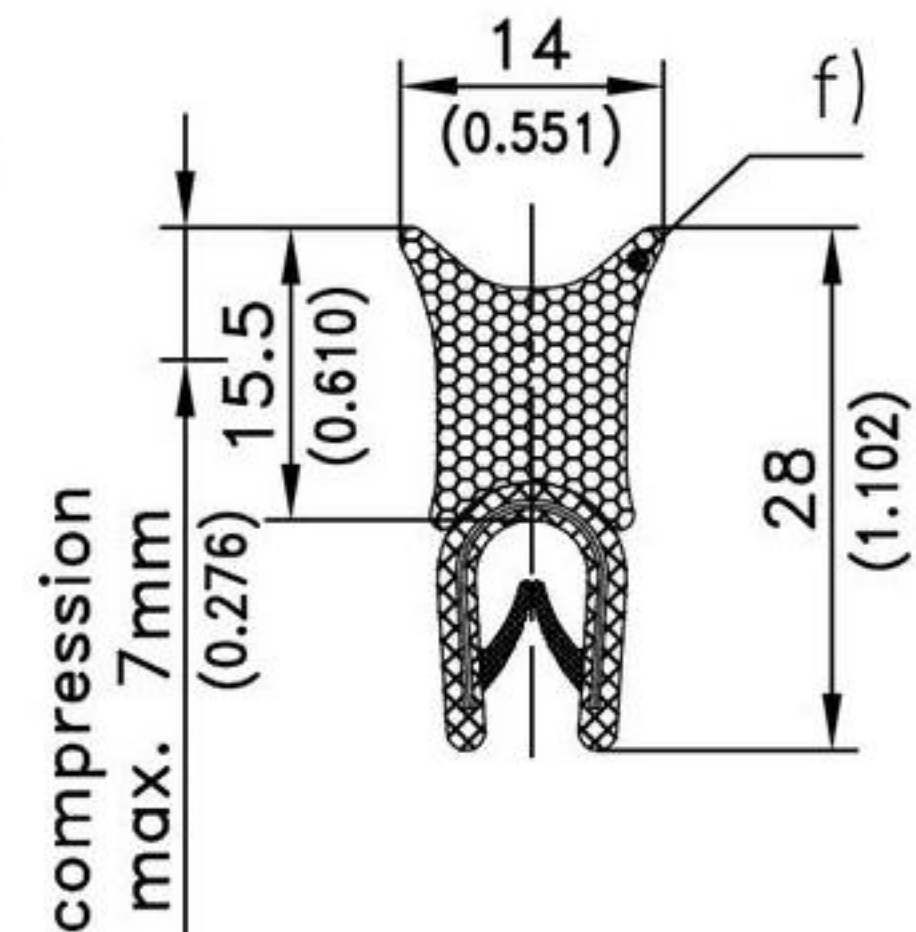
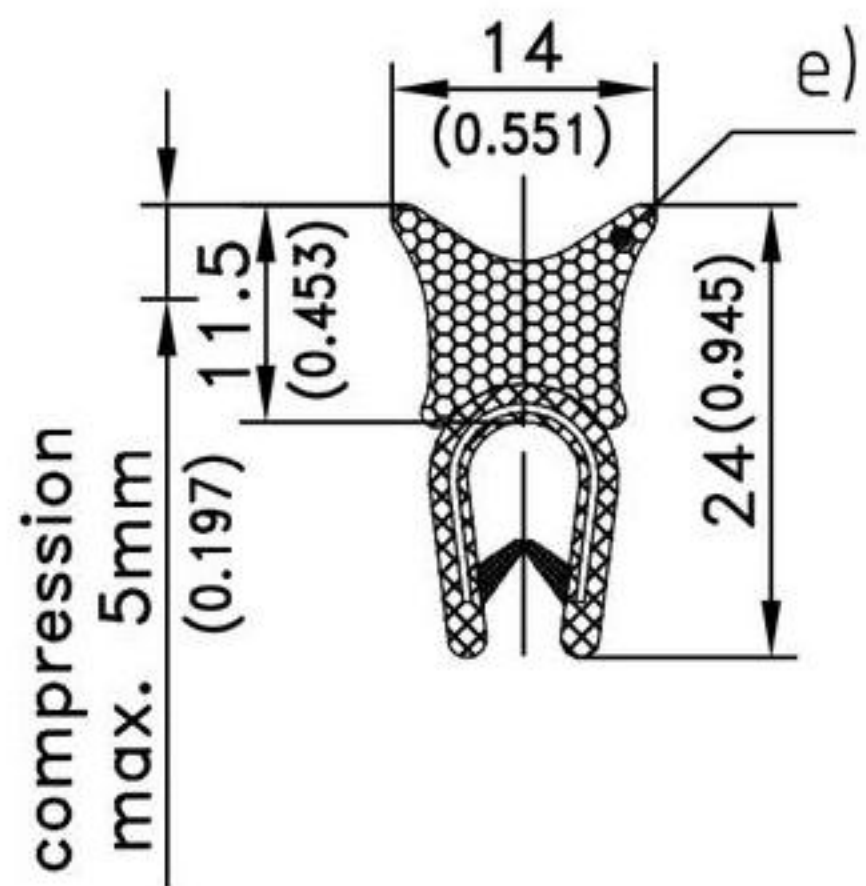
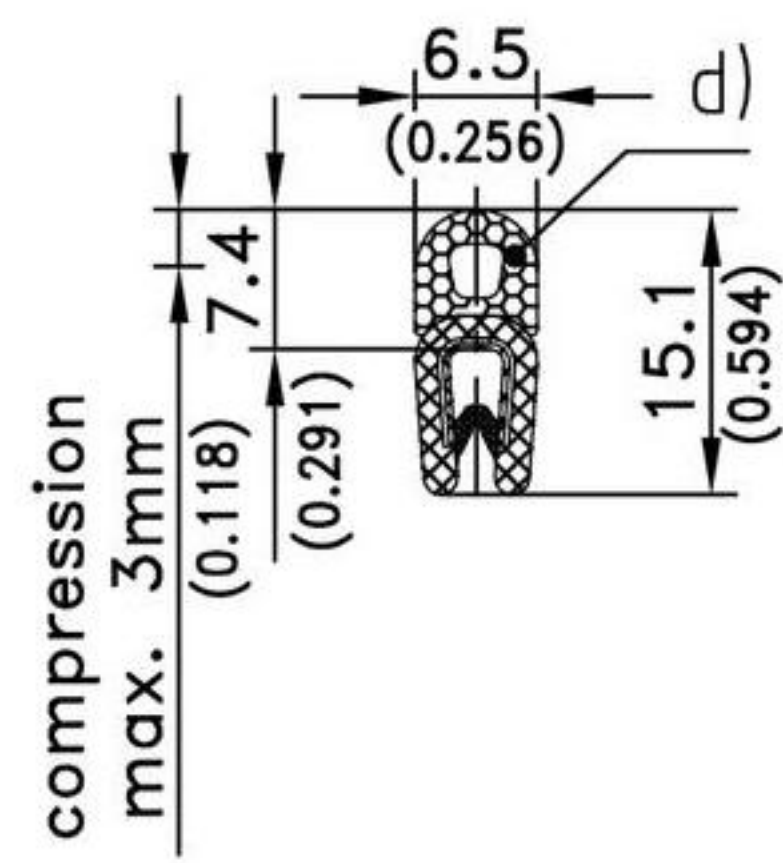
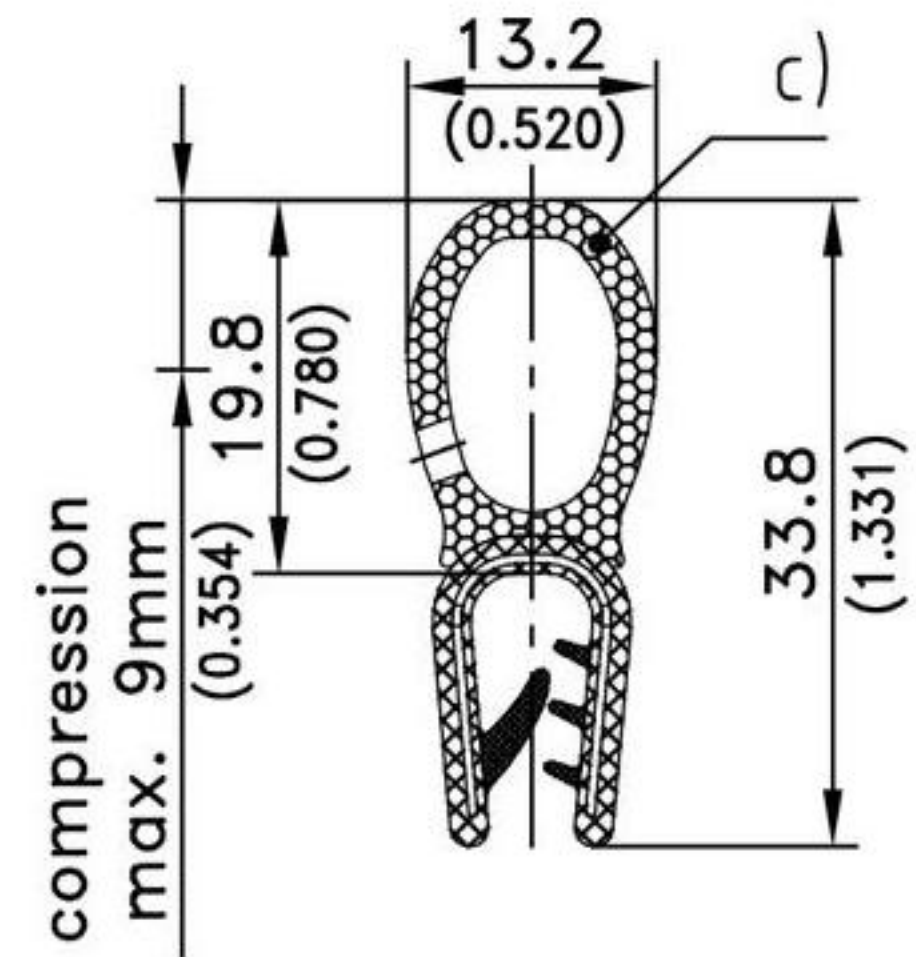
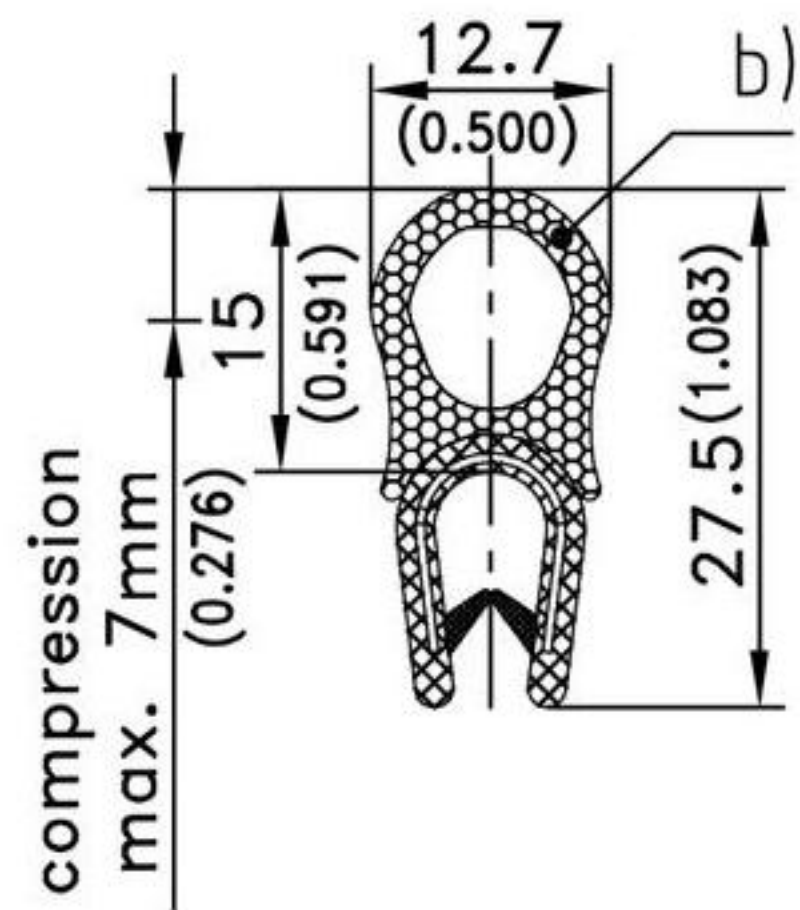
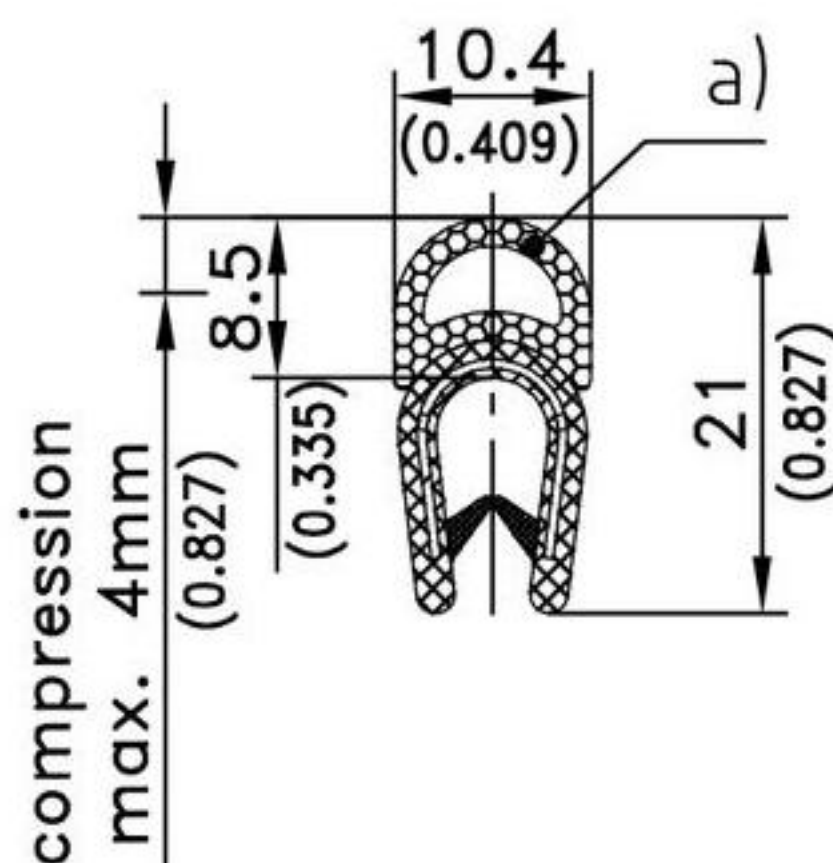
- Clip-on sealing
- The combination profiles consist of PVC with closed cell foam rubber profiles.
- These foam rubber profiles are made of high-quality synthetic rubber and are characterized by a high age resistance and great elasticity.
- Sealing profiles as a combination between PVC edge trim and sponge rubber can have up to two glued joints.

• Customized designs:

If the cross-sections shown here are not suitable for your specific application, we can produce a customized profile to meet your needs.

Material:

- **Carrier:** PVC
- **Sealing part/** Sponge rubber, EPDM



	Material	color	clamping range	packaging unit	Part No.
a)	PVC / foam rubber EPDM	black	1,0 - 4,0mm	50m	209-0213
b)	PVC / foam rubber EPDM	black	1,0 - 4,0mm	50m	209-0215
c)	PVC / foam rubber EPDM	black	2,0 - 4,0mm	50m	209-0216
d)	PVC / foam rubber EPDM	black	1,0 - 2,0mm	100m	209-0222
e)	PVC / foam rubber EPDM	black	1,0 - 4,0mm	50m	209-0227
f)	PVC / foam rubber EPDM	black	1,0 - 4,0mm	50m	209-0238