

5-100 Door Seals

EPDM



4-lip seals for optimal sealing of doors and panels, with high tolerance compensation at minimal compression.

- Balanced sealing properties between gasket/frame and gasket/door.
- Special lips on the sides allow defined longitudinal movement but prevent the seals from falling out when opening the door.
- The result: the compression forces between gasket/frame and gasket/door are nearly the same and consequently the sealing properties.
- The double symmetry of the 4-lip seals prevents incorrect fitting.

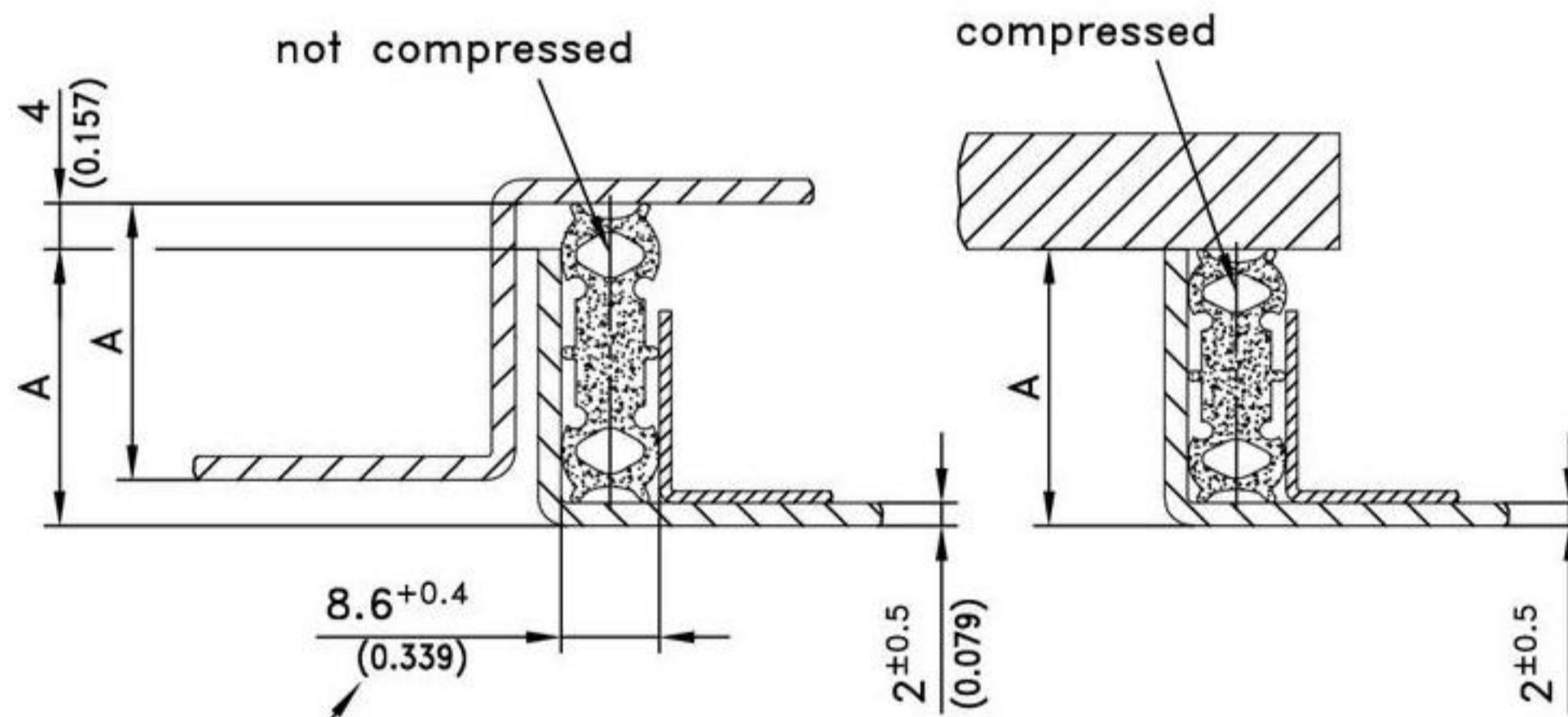
- The sealing characteristics are the same for both high-pressure and vacuum applications.
- They can be used for corners without warping or folding.
- Tolerances: see page 07.7
- Customized designs: If the cross-sections shown here are not suitable for your specific application, we can produce a customized profile to meet your needs.

Material:

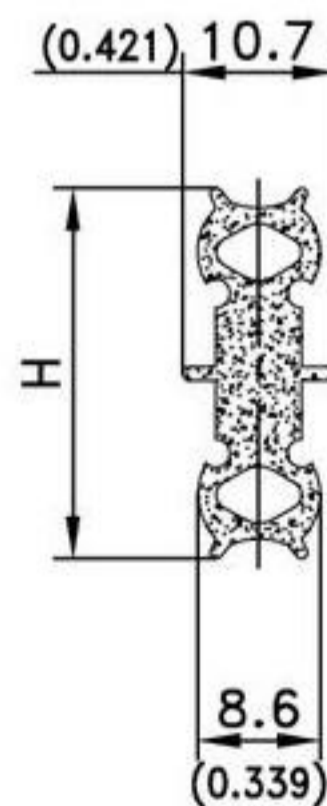
- **Sponge rubber quality:** EPDM



Examples of application



Groove width must not be smaller than 8,6mm(0.339). The best sealing result is only achieved in case the gasket can move freely in the groove and is only hold in position by the 2 central "ears".



color	H = height mm / inch	A = bending mm / inch	packaging unit	Part No.
black	18 / 0.709	16+1 / 0.630	40m	209-0118
black	20 / 0.787	18+1 / 0.709	40m	209-0120
black	22 / 0.866	20+1 / 0.787	40m	209-0122
black	24 / 0.945	22+1 / 0.866	40m	209-0124
black	26 / 1.024	24+1 / 0.945	40m	209-0126
black	28 / 1.102	26+1 / 1.024	40m	209-0128