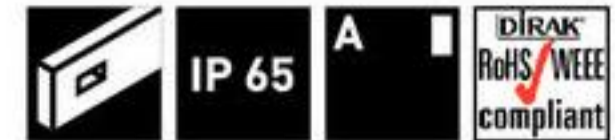


7-035 Handle

stainless steel AISI 316, for 7-030 Rod-Latch FS PrA

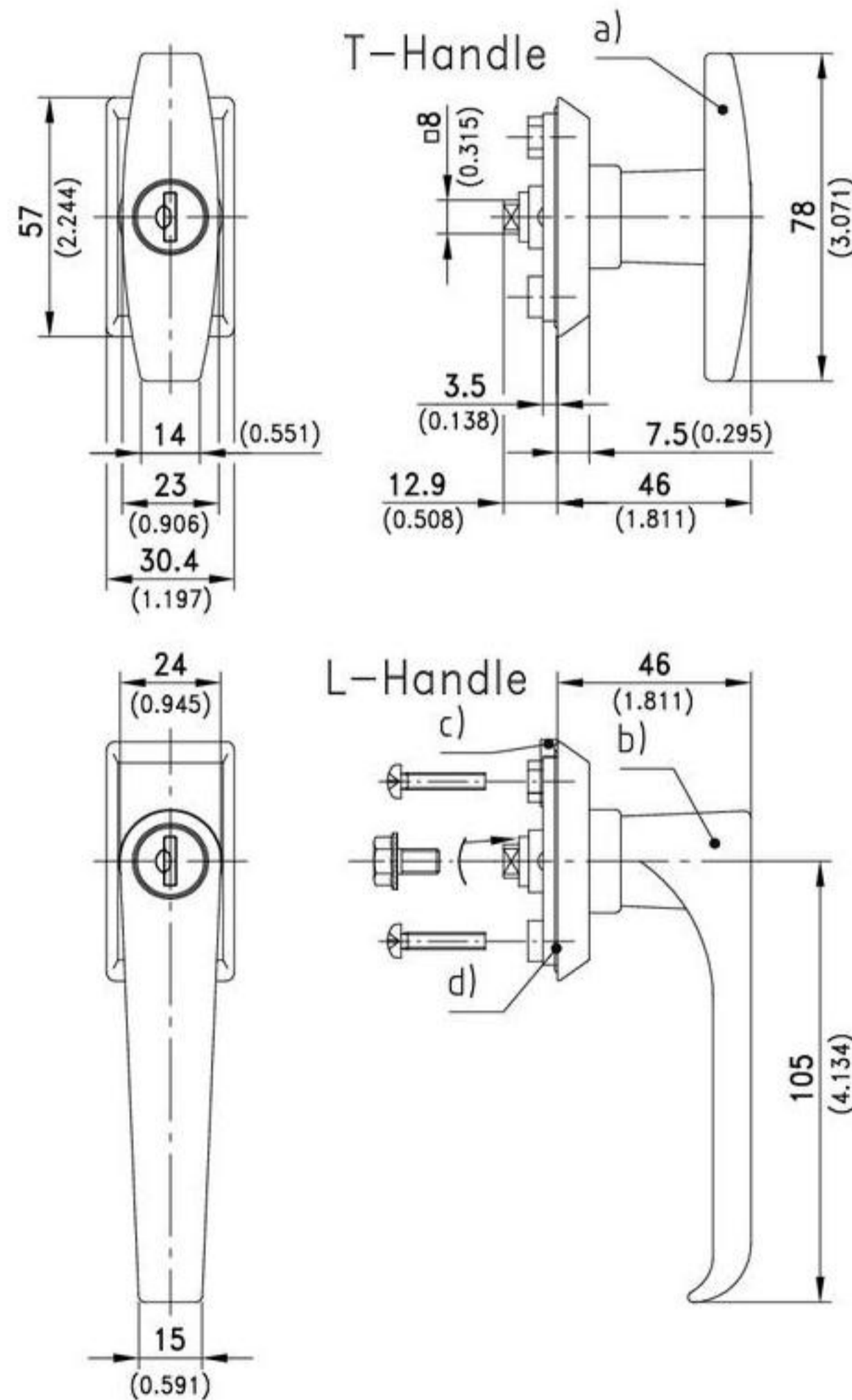


T- and L-Handles for application with Rod-Latch system shown on page 10.28.

- Detailed dimensions of the cutout PrA see page 04.5.

Material:

- Handles, escutcheon, screws, washer and grounding/earthing device:**
stainless steel
- Cylinder barrel:**
zinc die, chrome plated



| Version | a) T-Handle | b) L-Handle | see page |
|------------------------|-------------|-------------|----------|
| non locking | 208-9634 | 208-9635 | |
| keyed alike DIRAK 1333 | 208-9650 | 208-9652 | |
| keyed different/mixed | 208-9651 | 208-9653 | |

All lockable handles supplied with two keys.
Screws and washers are included.

| Optional: | | | |
|-----------------------------|-------------|-------------|-------|
| c) O-ring | 208-1802 | 208-1802 | |
| d) Grounding/Earthing clip: | 208-1201.04 | 208-1201.04 | 04.40 |