

7-910 Dual Hook

stainless steel AISI 316

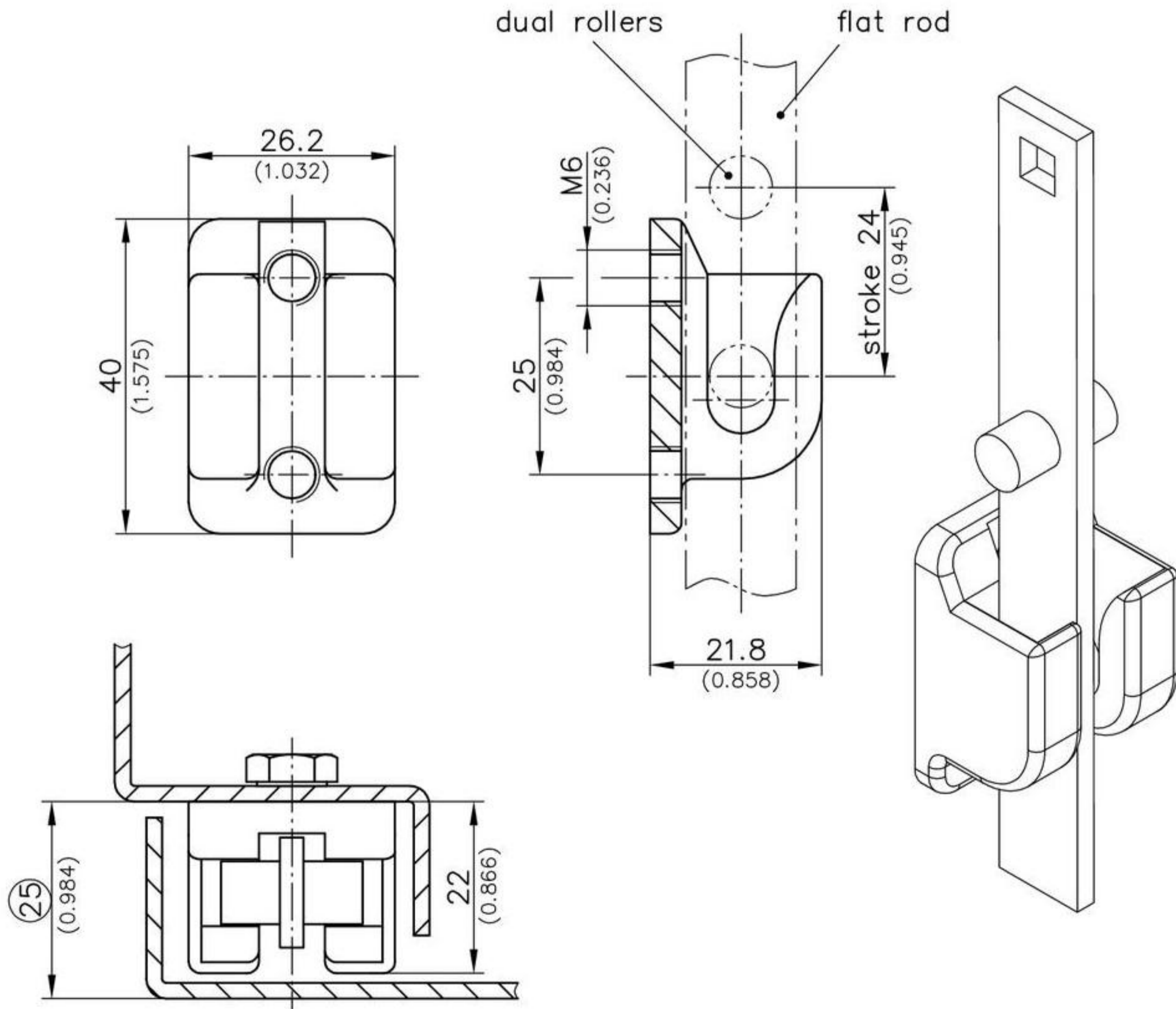


Dual Hook

- Installation by screws M6.
- Water- and dust-tight according to IP65 DIN EN 60529 with flat external seal.

Material:

- **Dual Hook:**
 stainless steel surface bead blasted finish



	Part No.	see page
Dual hook with threaded M6	208-1439.95	
Flat external seal for IP65, one side self-adhesive	208-1803	
Order separately:		
Fixing screws M6		09.4