

3-910SL Dual Hook SNAP-LINE

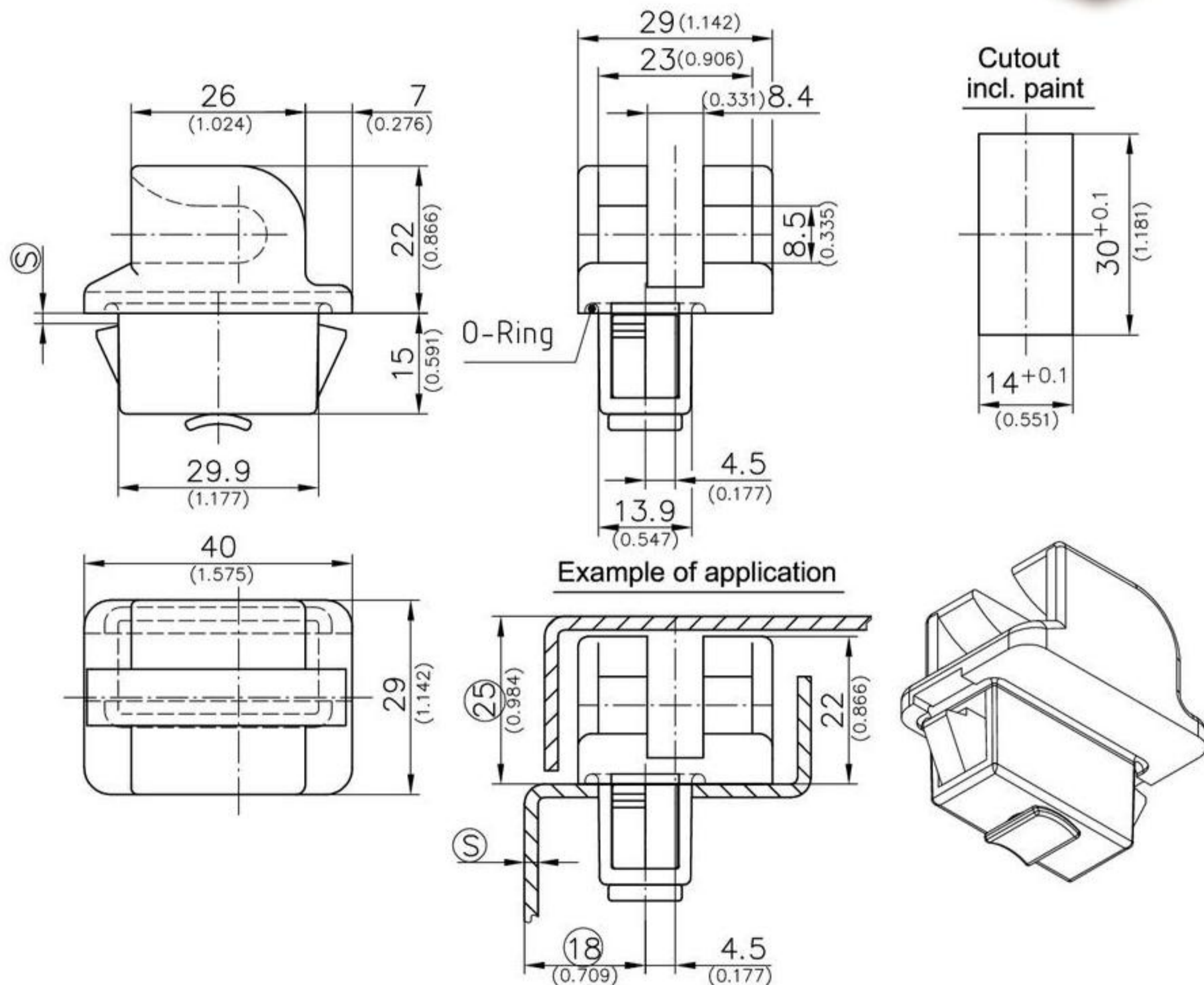


Dual hook SNAP-LINE for system dimension [Ⓢ] and bending [Ⓓ].

- Closed version.
- Unlike the dual hook page 01.33 (open version) for changing the door from the right to the left side or vice versa, a RH or LH version is needed.
- Installation by a simple push into the cutout.
- Water- and dust-tight according to IP65 DIN EN 60529.

Material:

- **Dual Hook:**
zinc die, black
- **Snap wedges:**
sintered metal, plated
- **O-Ring:**
NBR/ Perbunan



	clamping range [Ⓢ]	RH (as drawn)	LH	see page
Dual Hook	1,2 - 1,7	408-9104.00-00015	408-9105.00-00015	
	1,7 - 2,2	408-9104.00-00020	408-9105.00-00020	
	2,2 - 2,7	408-9104.00-00025	408-9105.00-00025	
	2,7 - 3,2	408-9104.00-00030	408-9105.00-00030	
Other [Ⓢ] - dimension on request!				
Optional:				
Water and dust tight according to IP65 by:				
O-ring		200-1005.00-02420	200-1005.00-02420	
Cover for cutout 30x14		292-0402.00-03014	292-0402.00-03014	01.106
Reinforcement plate for thin-walled sheets and for higher loads:		292-0701.15-01530	292-0701.15-01530	01.108
Tool for uninstallation		292-0306.80-02530	292-0306.80-02530	01.109
or		292-0301.15-00000	292-0301.15-00000	01.109