

3-161SL Flat Rod for Ramp Shoe SNAP-LINE



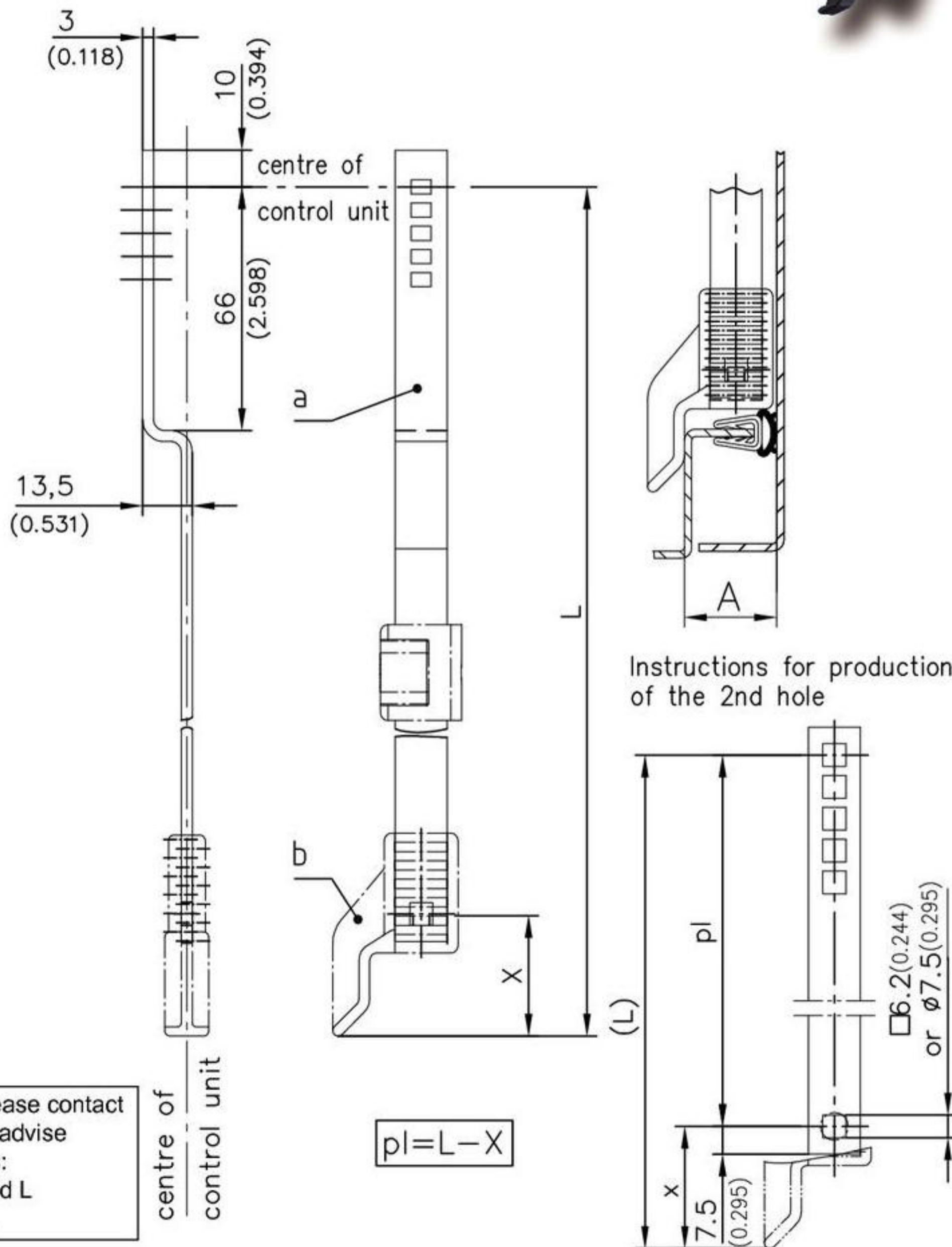
Flat rod for SNAP-LINE rod system.

- For ramp shoe.
- The rods are used with rod control-unit (product system 3-150SL page 01.28).
- This system is especially designed to make special length rods.
- The top part of the rod has to be inserted as per drawing with 5 openings into the rod-latch (product system 3-131SL).
- The bottom of the flat rod needs a square 6.2mm or a round 7.5mm hole.

- The Ramp-Shoe is pushed on and snaps into the hole.

Material:

- **Flat rod:** steel, zinc plated
- **Ramp shoe:** PA, black



For Part-No. please contact DIRAK. Please advise following details:
1. Lengths X and L
2. Dimension A

a) Flat rod for ramp shoe	208-1063.15-pl in mm		
Formula for calculation of the rod length $pl=L-X$			
e.g. $L=1000\text{mm}-X=32,5=967,5\text{mm}$			
b) Ramp-Shoe for standard frame	Bending A	Dimension X	
	18	32,5	208-2403.03-00018
	20	32,5	208-2403.03-00020
	25	32,5	208-2403.03-00025