

2-300 Swinghandle



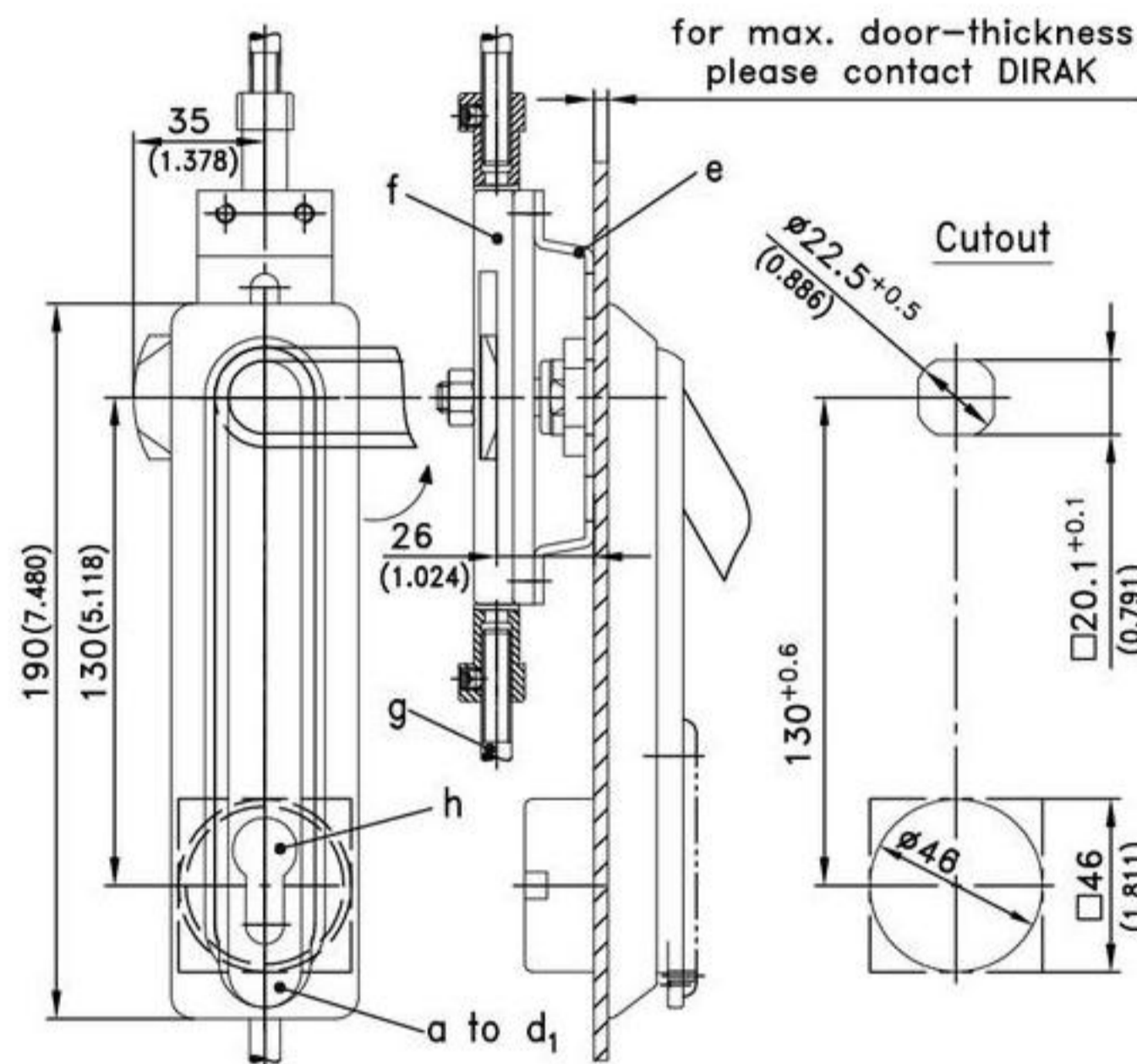
Swinghandles for series 235 (130mm / 5.118), Swinghandles in "short" version (105mm / 4.134) can only be used with Rod-Latches see page 02.64, stroke 13mm / 0.512!

- Part No. for these "short" versions: On request
- Part No. for grey RAL 7032 versions: On request

Material:

- a), a1), c) and c1)
- **Swinghandle:** PA, black
- **Dish:** PA, black

- b), b1) d) and d1)
- **Swinghandle:** zinc die, black
- **Dish:** PA, black
- **Cover:** PA, black or zinc die, black
- **Round and square cap:** PA, black
- e)
- **Lock support:** steel, zinc plated



	without cover	standard, PA, black	with cover	reinforced, PA, black	zinc die, black	see page
a) Swinghandle, PA black, Round-cap Ø46 for profile cylinder 40mm long	207-9035	207-9036	207-9037	207-9037	207-9061	
a1) as a), but 5mm raised for profile cylinder 45 mm long	207-9041	207-9042	207-9043	207-9043	207-9063	
b) Swinghandle, zinc die black for profile cylinder 40mm long Round-cap Ø46	207-9038	207-9039	207-9040	207-9040	207-9062	
b1) as b), but 5mm raised for profile cylinder 45mm long	207-9044	207-9045	207-9046	207-9046	207-9064	
c) Swinghandle, PA black for profile cylinder 40mm long Square-cap □46	207-9323	207-9327	207-9331	207-9331	207-9335	
c1) as c), but 5mm raised for profile cylinder 45mm long	207-9325	207-9329	207-9333	207-9333	207-9337	
d) Swinghandle, zinc die black for profile cylinder 40mm long Square-cap □46	207-9324	207-9328	207-9332	207-9332	207-9336	
d1) as d), but 5mm raised for profile cylinder 45mm long	207-9326	207-9330	207-9334	207-9334	207-9338	
Optional:						
e) Lock support RH/LH	-	-	-	-	235-1002	
f) Latch						02.64, 02.72
g) Round rod						02.75
Rod guides						02.77
h) Profile cylinder						03.34