

1-135 Quarter-Turn with Handle Pr20.1 L18

with cylinder



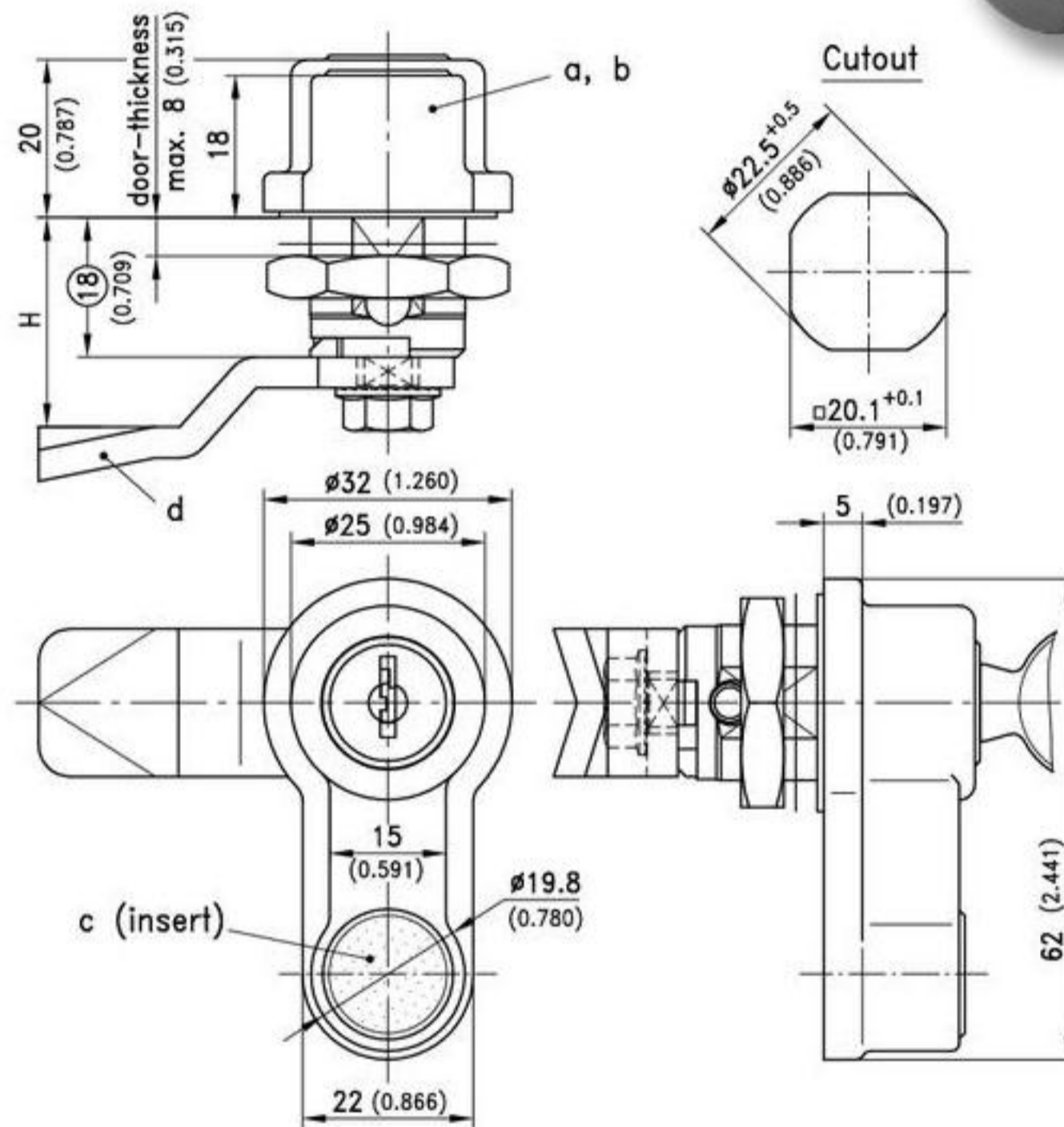
- Drip handle Quarter-Turn, RH or LH application.
- For individual design, round, colored clip-in inserts are available which can be clipped-in into the lower part of the handle.
 - The Quarter-Turn consists of two basic components which can be combined to suit your application.
 - On request parts can be assembled by DIRAK.
 - A pre-assembled Quarter-Turn can be installed in the cutout.

- Blind Plug:**
PA, black only a)
- Insert:**
PA, black c)
- Colored inserts:**
PA, different colours d)
- Cam:**
steel, zinc plated



Material:

- a) and b)
- Drip handle:**
PA, black with zinc die core
- Housing:**
zinc die, chrome plated
- Cylinder:**
PA, black or zinc die, chrome plated



a) Drip Handle with black clip-in insert and plain grounding/earthing nut	non locking	keyed alike DIRAK 1333*	keyed alike DS200*	keyed-different/mixed	see page
Cylinder PA	-	200-9392**	-	200-9393**	
Cylinder zinc die	-	200-9395*	500-9395*	200-9396	
Blind Plug:	200-9394**				
b) Drip Handle without clip-in insert, with plain/earthing nut					
Cylinder PA	-	200-9381**	-	200-9382**	
Cylinder zinc die	-	200-9390*	500-9390*	200-9391	
Blind Plug:	200-9389**				
c) Colored inserts, on request					
color	Part No.	color	Part No.		
red	207-4902-00.00001	orange	207-4902-00.00005		
blue	207-4902-00.00002	mint	207-4902-00.00007		
green	207-4902-00.00003	purple	207-4902-00.00008		
yellow	207-4902-00.00004				
d) Cam/3-point cam					02.61, 02.58
Optional:					
e) Assembling of inserts	207-0015	207-0015	207-0015	207-0015	
Assembling for righth door	200-0019	200-0019	200-0019	200-0019	
Assembling for left door	200-0020	200-0020	200-0020	200-0020	

* with stainless dust-shutter

** Water- and dust-tight according IP65