

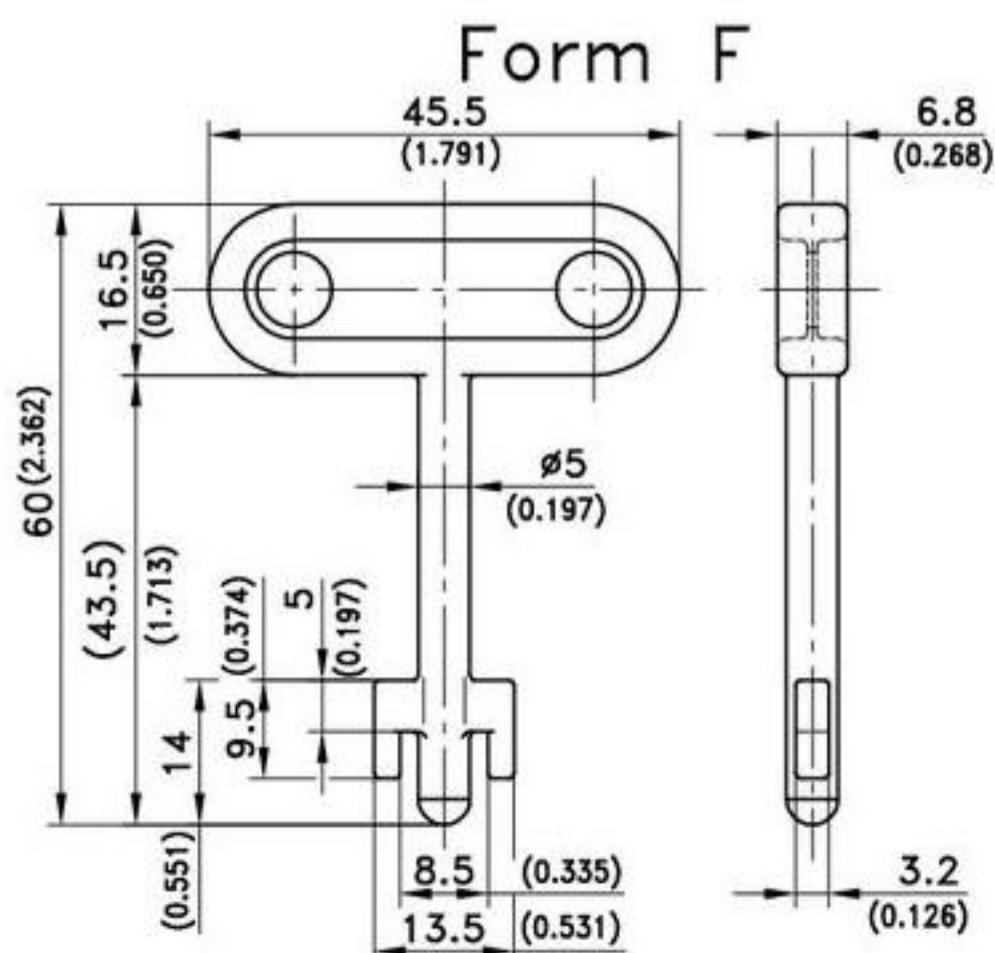
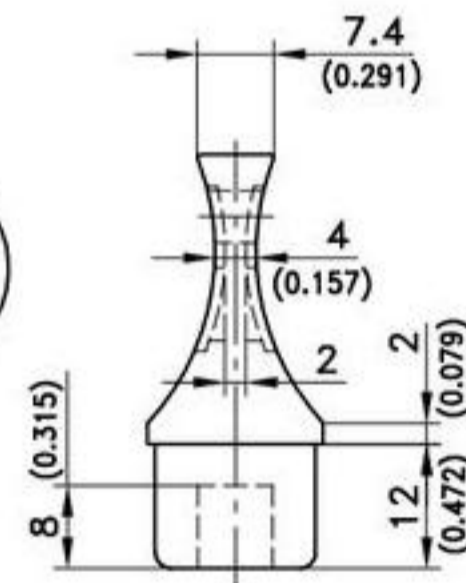
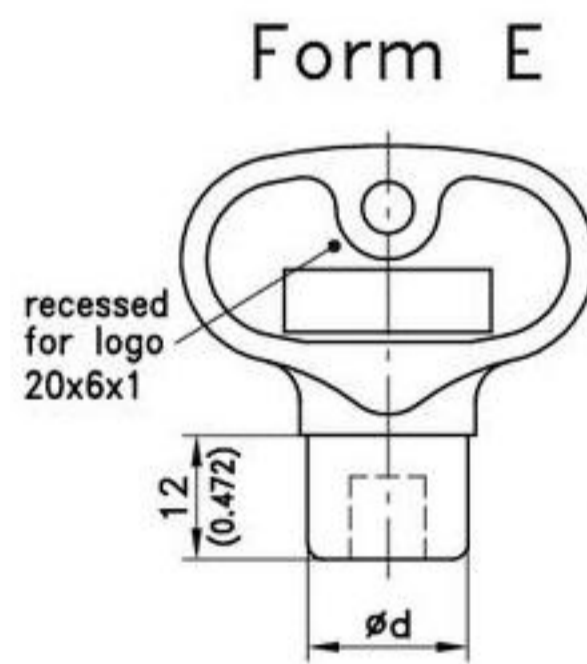
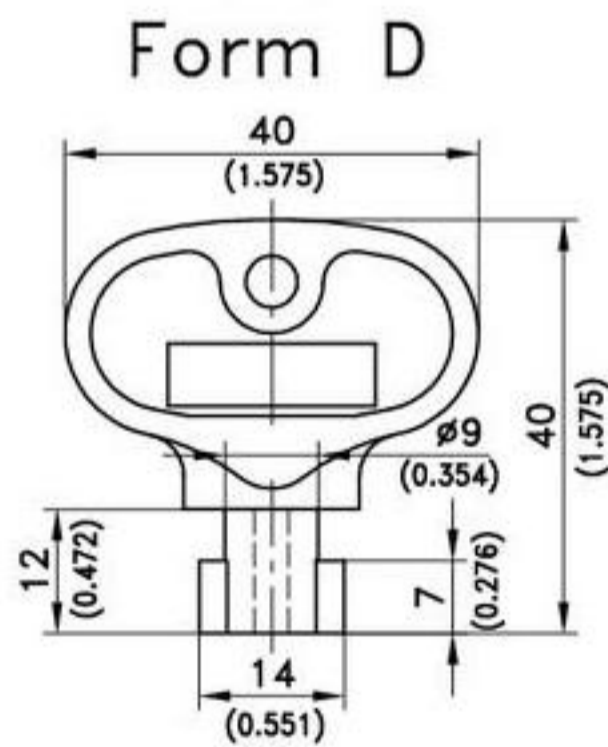
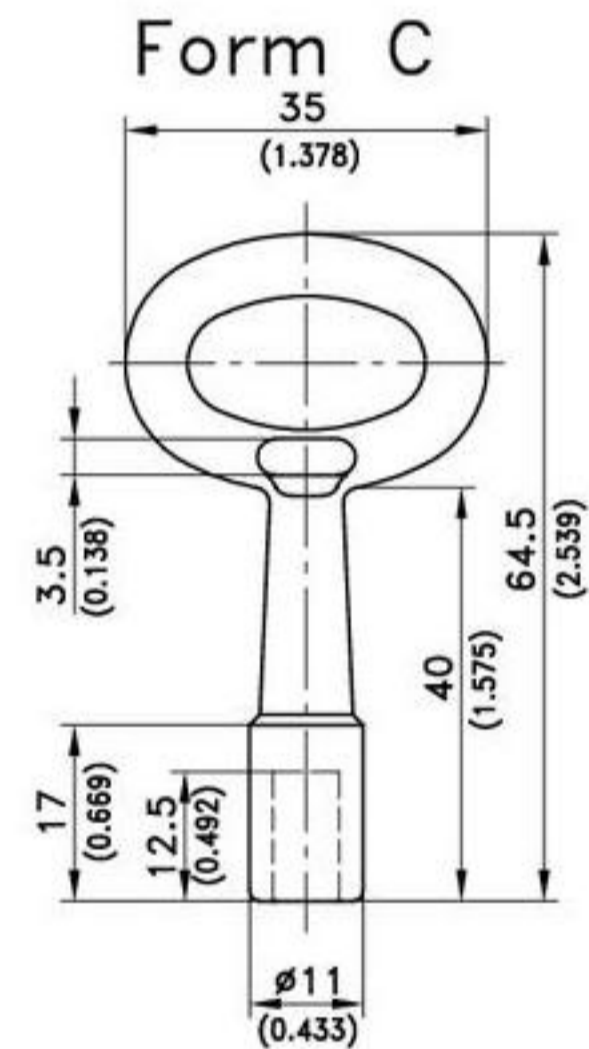
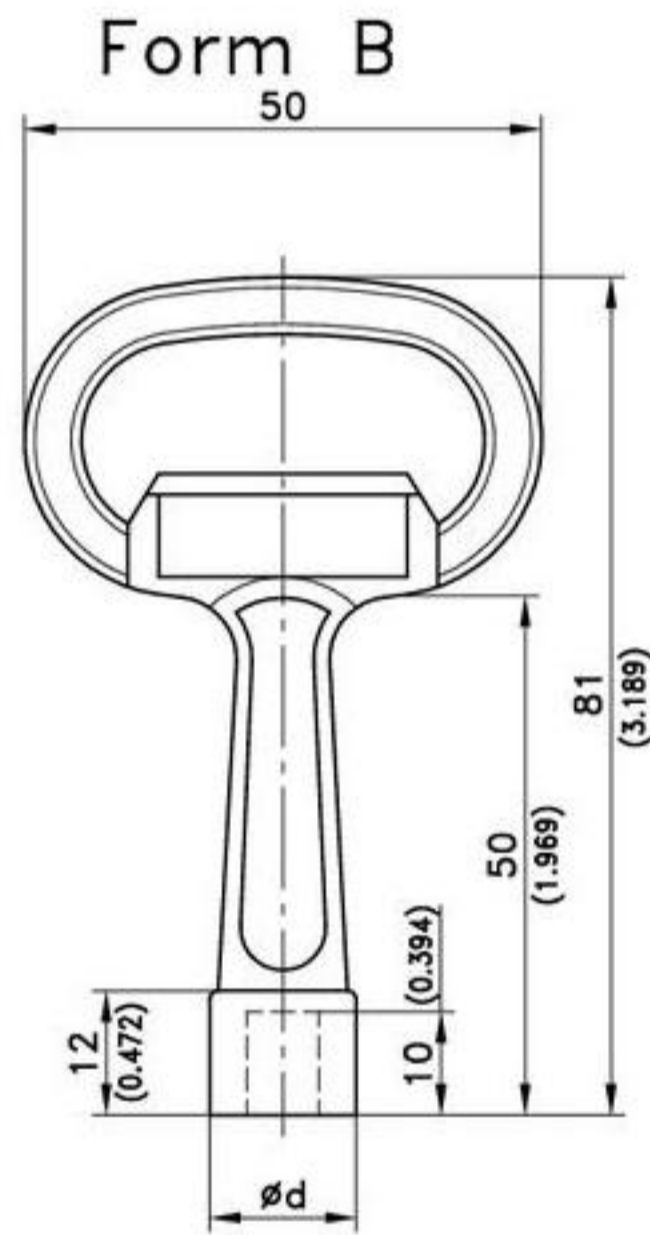
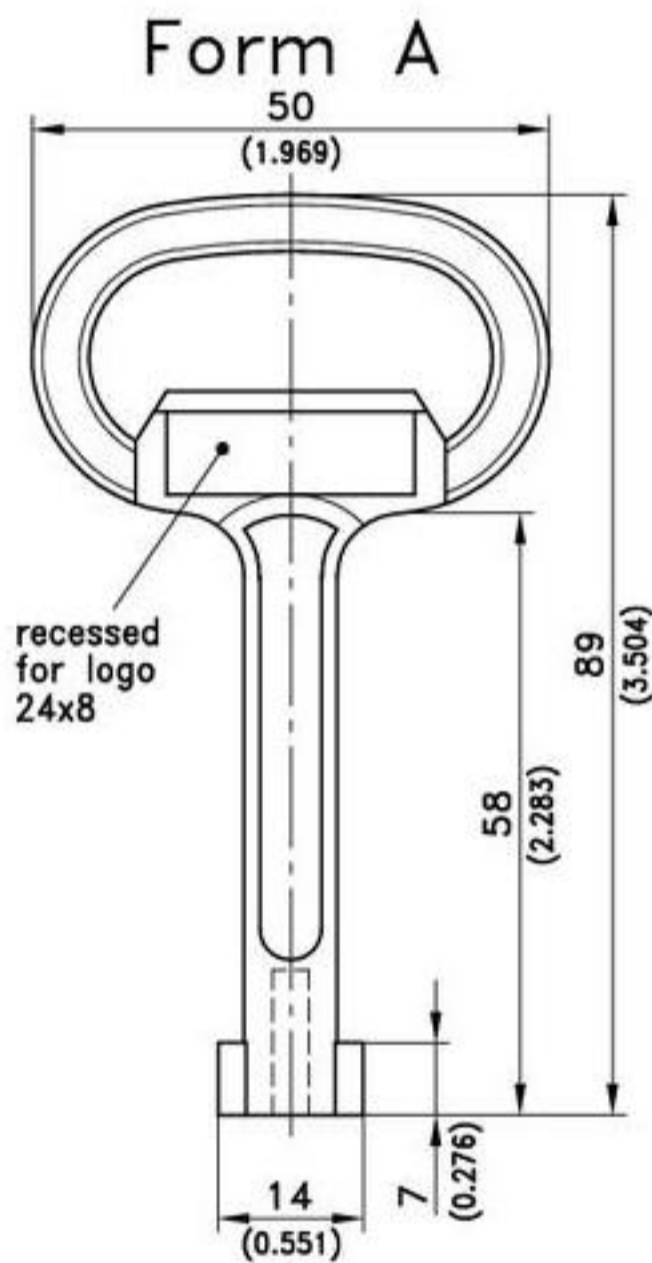
6-100 Key



Keys for Quarter-Turns, 200 and 220 series and for inserts see page 03.36.

Material:

- A), B), C) and F)
- **Key:**
zinc die, untreated
- D) and E)
- **Polyamide key:**
PA, black





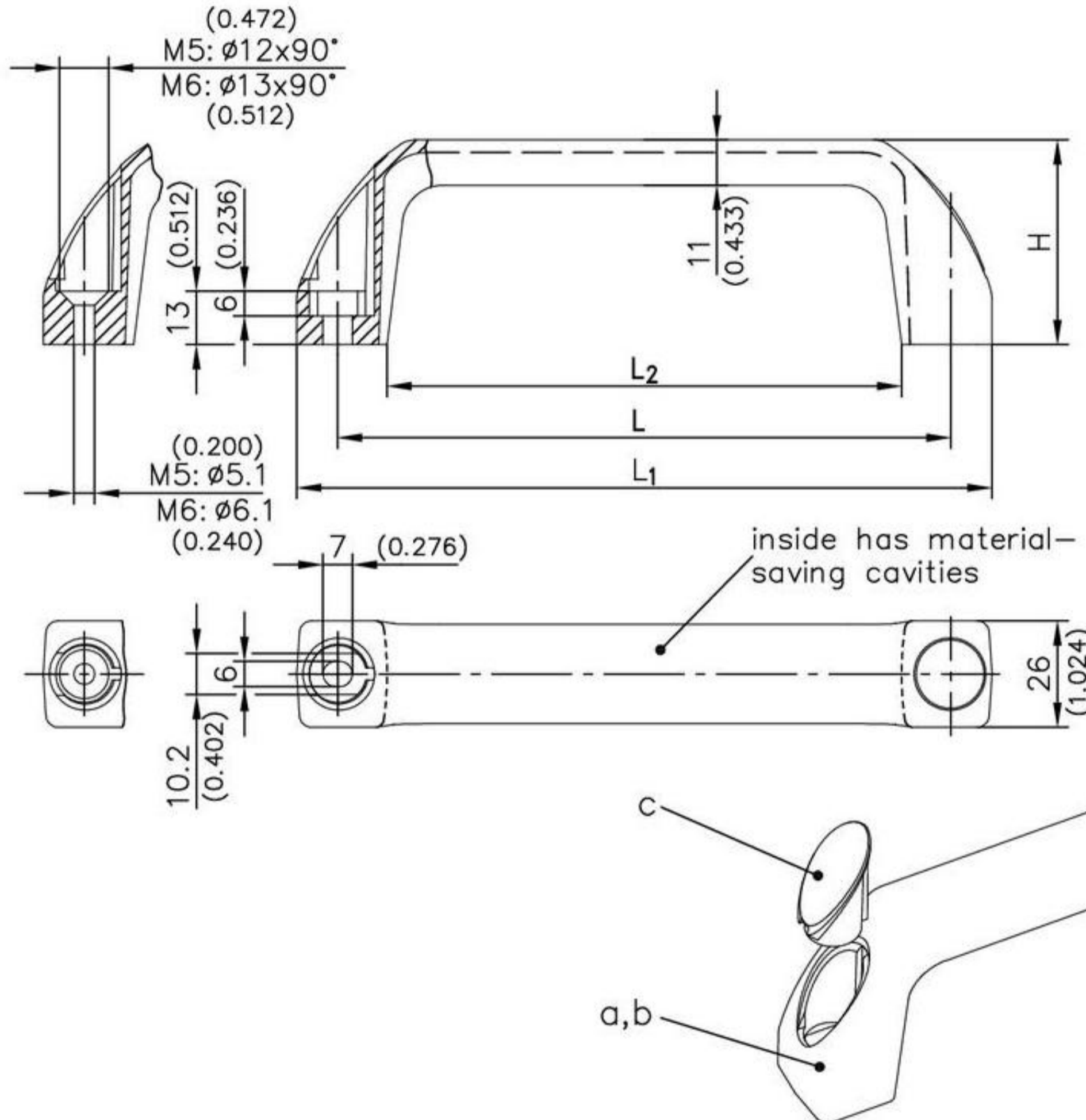
6-1000 Bridge Handle

Polyamide, with plugs

Polyamide handle, two sizes.

- Fastening by hex. socket head cap screws, or hex. screws or with countersunk screws.
- Plugs in different colors or with logo on request.

Material:
PA, black



a) Polyamide handle complete, with 2 plugs		L	L1	L2	H	Part No.	see page
a1) for hex. socket head cap screws / hex. screws	M6	150/ 5.906	170/ 6.693	126/ 4.961	50/ 1.969	213-9201	
a2) for countersunk screws	M5	150	170	126	50	213-9202	
a3) for hex. socket head cap screws / hex. screws	M6	122/ 4.803	142/ 5.591	98/ 3.543	50	213-9203	
a4) for countersunk screws	M5	122	142	98	50	213-9204	
a5) for countersunk screws	M6	122	142	98	50	213-9205	
a6) for hex. screws	M6	122	142	98	41/1.614	213-9206	
a7) for countersunk screws	M5	122	142	98	41	213-9207	
b) Polyamide handle only (without plugs)							
b1) for hex. socket head cap screws / hex. screws	M6	150	170	126	50	213-0205.03-00000	
b2) for countersunk screws	M5	150	170	126	50	213-0206.03-00000	
b3) for hex. socket head cap screws / hex. screws	M6	122	142	98	50	213-0208.03-00000	
b4) for countersunk screws	M5	122	142	98	50	213-0209.03-00000	
b5) for countersunk screws	M6	122	142	98	50	213-0210.03-00000	
c) Plugs (2 plugs per handle)						213-0207.03-00000	
Screws							

6-1001SL Bridge Handle SNAP-LINE

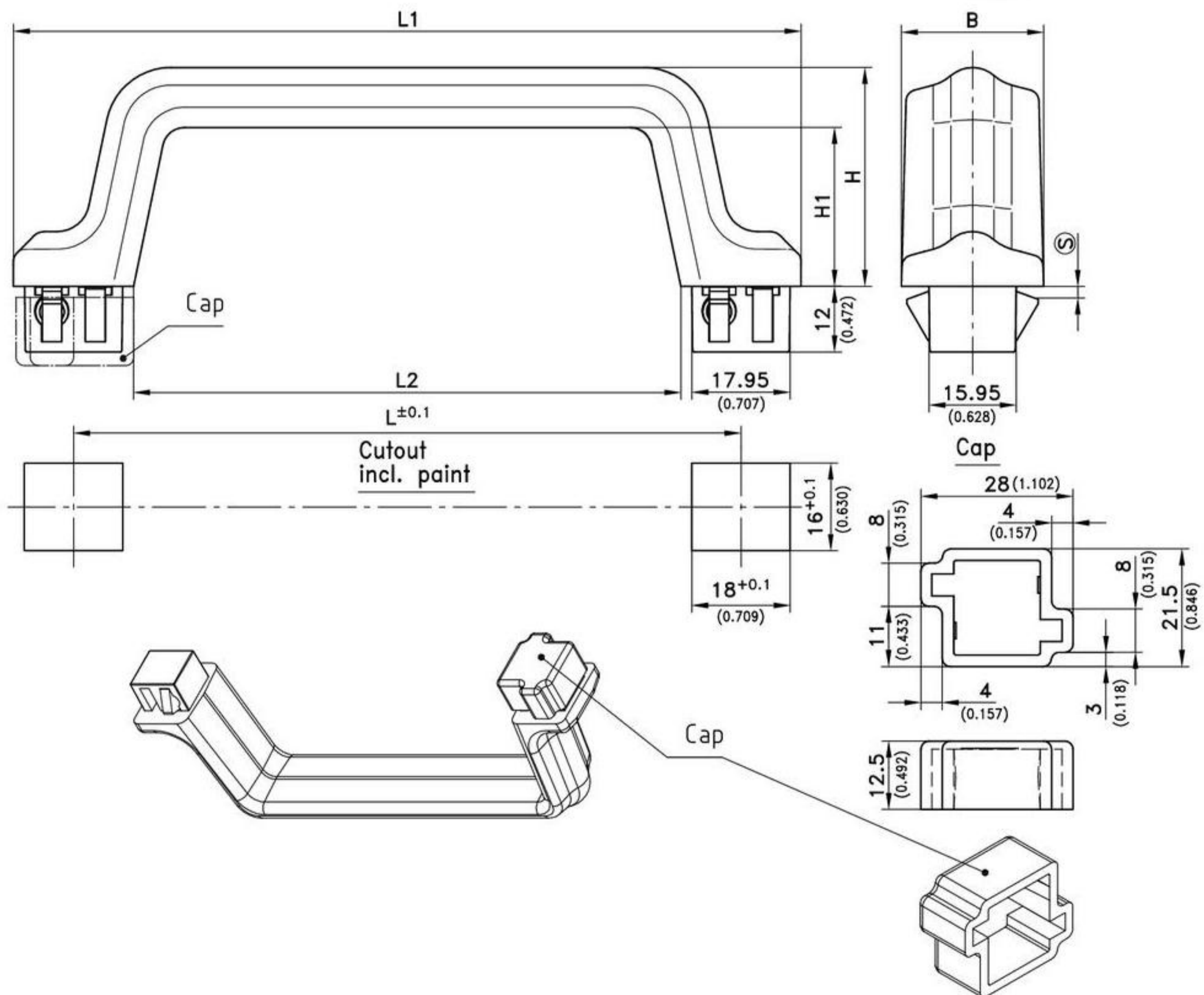


Polyamide handle, two sizes.

- The appealing design guarantees a firm and reliable grab.
- The closed surface makes it insensitive to dirt and easy to clean.
- Lowest inside radius 5mm.
- Designed for vertical or horizontal uses.
- The installation is effected by a simple push into appropriate cutouts.
- Handle for variable lengths in the same design see page 01.104.

Material:

- **Bridge Handle**
PA, black
- **Snap wedges:**
sintered steel
- **Cap:**
PA black



	clamping range ©	L	L1	L2	B	H	H1	Part No.
Bridge handle 144mm long	0,8 - 1,5	122	144	100	26	40	29	413-9003.00-00015
	1,3 - 2,0	122	144	100	26	40	29	413-9003.00-00020
	2,0 - 2,7	122	144	100	26	40	29	413-9003.00-00027
Bridge handle 172mm long	0,8 - 1,5	150	172	128	28	50	39	413-9004.00-00015
	1,3 - 2,0	150	172	128	28	50	39	413-9004.00-00020
	2,0 - 2,7	150	172	128	28	50	39	413-9004.00-00027
Cap								413-0901.54-00000
Other © - dimension on request!								



6-100 Key

Form	Key type	Size	d	Part No.	
A	Double bit	3mm pin		204-0107	
		5mm pin		204-0108	
B	Female key, hollow	Square 6	11.5 / 0.453	204-0111	
		Square 7	14.2 / 0.559	204-0102	
		Square 8	14.2 / 0.559	204-0103	
		Triangular 6.5	11.5 / 0.453	204-0112	
		Triangular 6.5 CNOMO	14.2 / 0.559	204-0106	
		Triangular 7	14.2 / 0.559	204-0104	
		Triangular 8	14.2 / 0.559	204-0105	
		Triangular 9 EDF	15.9 / 0.626	204-0113	
		Hex Belcore	7/16"	15.6 / 0.614	204-0134.30
		Daimler Benz type		11.5 / 0.453	204-0109
		Crown type		15.9 / 0.626	204-0110
		Crescent Czech		15.9 / 0.626	204-0116
		Male key	for insert socket square 6mm		204-0119
		Male key	for insert socket square 7mm		204-0120
		Male key	for insert socket square 8mm		204-0121
		Male key	5/16" (8mm) with hole for 3mm pin		204-0133.30
		(for inserts 200-9172 and 200-9178, also for socket hex 8. without pin)			
	Emergency key	for dual-cylinder-handle (without drawing)		204-0301	
For orders of 2000 pieces and over, we can supply this key with your logo. Please ask for more details. Order example: 204-0111- company name/logo					
C	Female key, hollow	Square 6mm		204-0501	
		Triangular 6.5		204-0502	
For orders of 2000 pieces and over, we can supply this key with your logo. Please ask for more details.					
D	Double bit	3mm pin		204-0407.03	
		5mm pin		204-0408.03	
E	Double bit Logo on both sides	Square 6	11.5 / 0.453	204-0401.03	
		Square 7	15.5 / 0.610	204-0402.03*	
		Square 8	15.5 / 0.610	204-0403.03*	
		Triangular 6.5	11.5 / 0.453	204-0404.03	
		Triangular 7	15.5 / 0.610	204-0405.03*	
		Triangular 8	15.5 / 0.610	204-0406.03*	
		Screwdriver type	10 x 1,4		204-0409.03
For orders of 5000 pieces and over, we can supply this key with your logo. Please ask for more details.					
F	Key	FIAT		204-0302.42	
*These female keys cannot be used with the safety quarter-turn page 02.24 and hinged recessed handle page 08.15.					