

## 7-106.01 Cam Adapter 45°

stainless steel AISI 316L



3-point cam adapter with or without stop made of stainless steel.

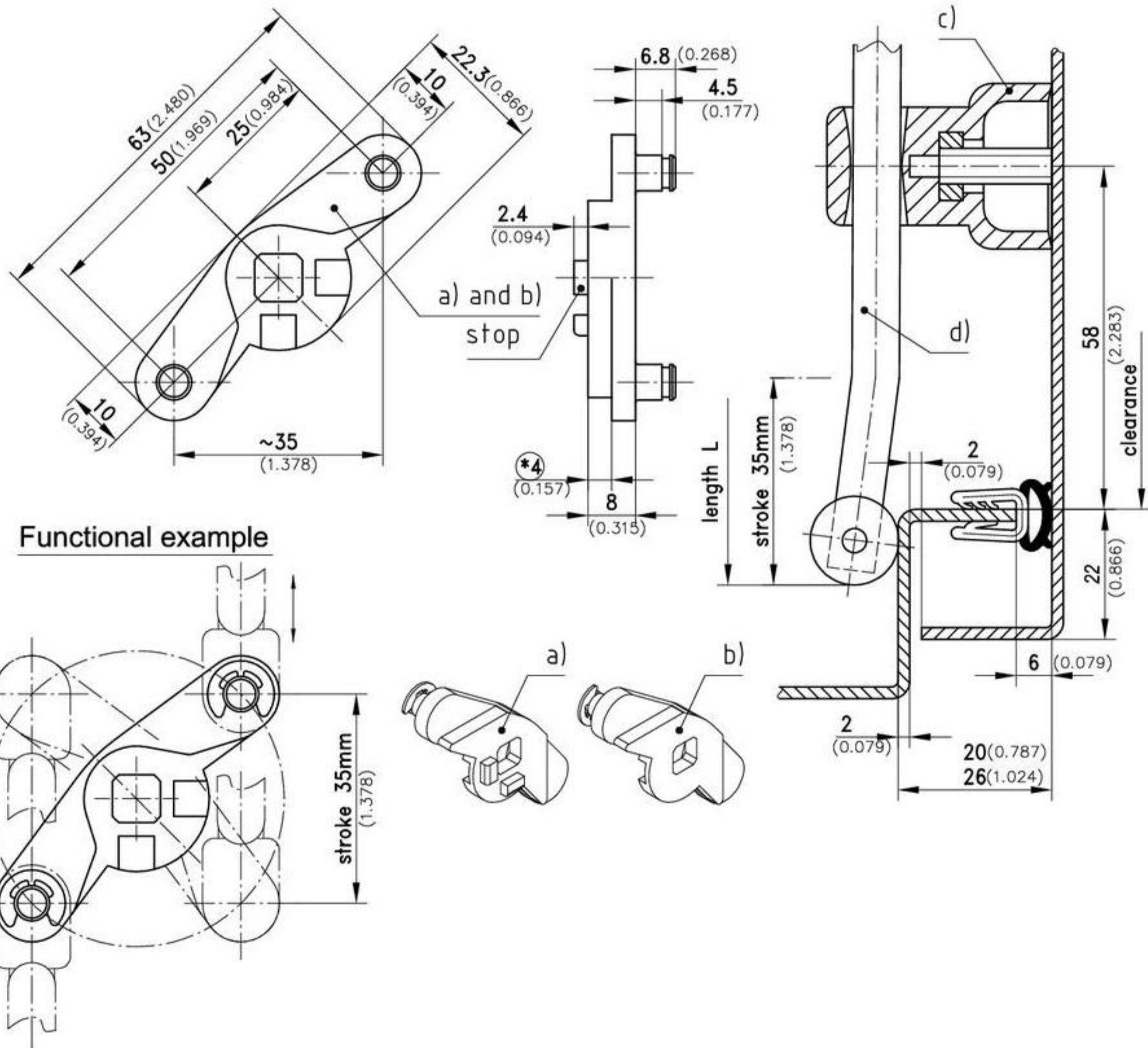
- For applications with stainless steel swinghandle see page 10.24.
- All cams of page 10.10 can be applied.
- Stroke 35mm.
- Round rods with eye see page 10.38.

**\*NOTE:**

H-dimension of cams as indicated see page 03.38, increases by 4mm.  
E.g. cam 200-0518 results in a H-dimension of 22 mm.

**Material:**

- **3-point cam adapter:**  
stainless steel



	Part No.	see page
a) 3-point cam adapter including 2 circlips with stop	200-9598.00	
b) 3-point cam adapter including 2 circlips without stop	207-9594.00	
c) Rod Guide for bending	A20	200-3601.03
Rod Guide for bending	A26	200-3602.03
d) Round rod with eye		10.38

## 7-106 Round rods

stainless steel AISI 304

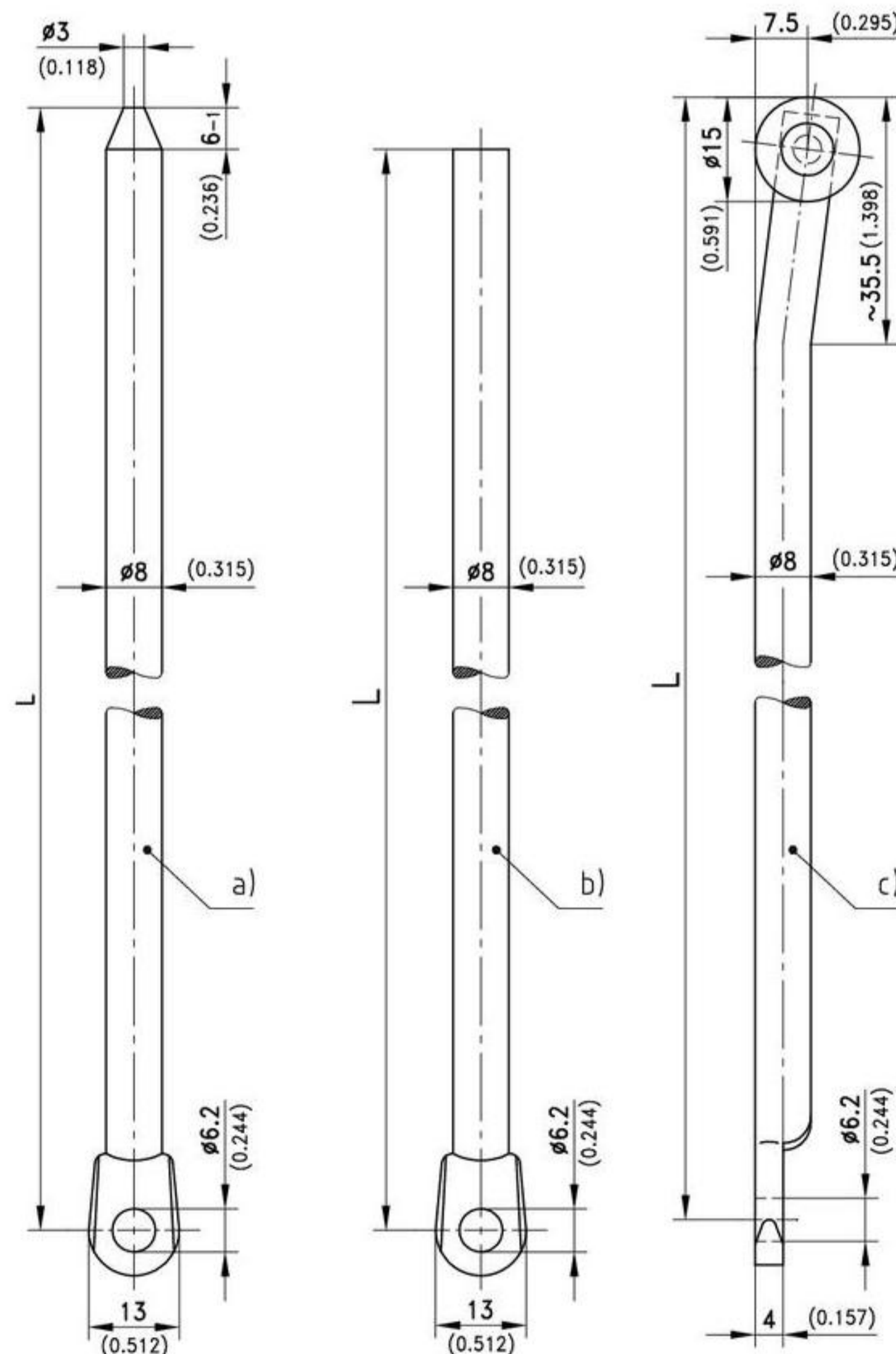


Round rods for custom lengths in different versions.

- Minimum order quantity: 200 pieces.
- Calculation of Rod, page 10.12
- Attention:**
- Dimension L measured to top of roller!

**Material:**

- **Round rods and rivet:**  
stainless steel
- **Rollers:**  
PA, black



Round Rod with eye	Part No.
a) Rounds rods with eye and chamfered end.	201-0111.04-L in mm
b) Round rod with eye	201-0112.04-L in mm
c) Round rod with eye and rollers	201-9026.00-L in mm

Order example for round rod with eye and rollers, length L=840mm

201-9026.00-00840