

7-105 Quarter-Turn Pr20.1 L18

stainless steel AISI 316, with round rod

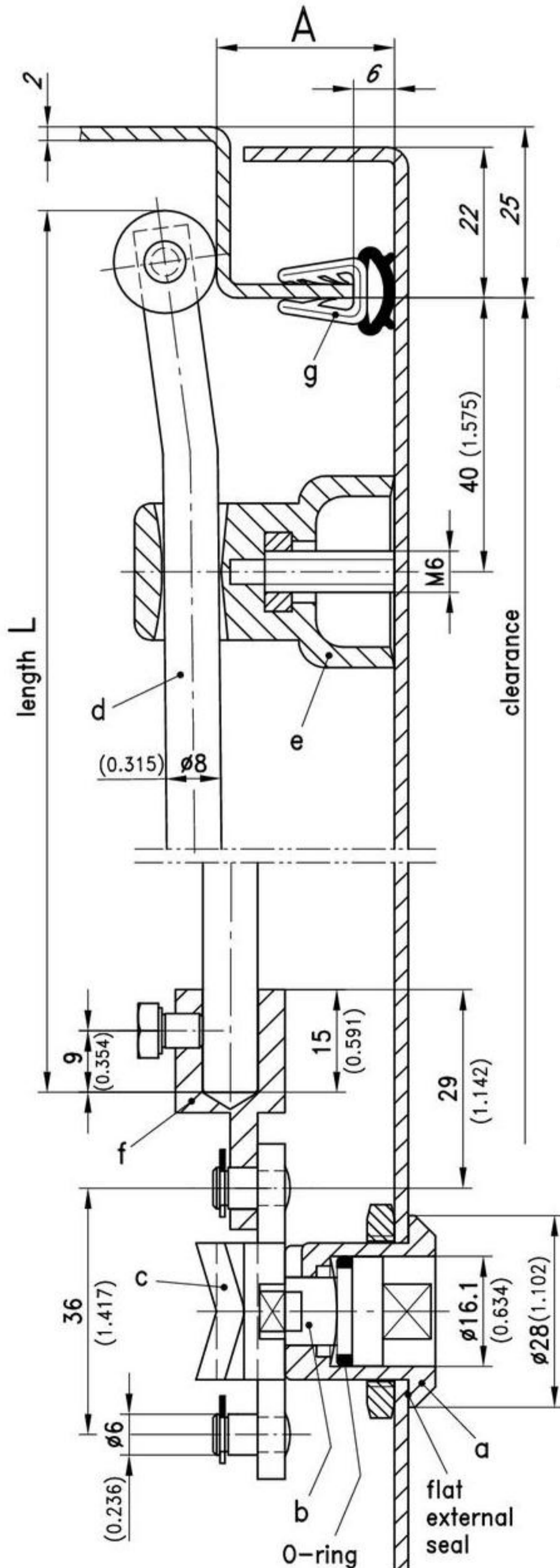


Stainless steel 3-point system, screw-in type.

- RH or LH application.
- Water- and dust-tight according to IP65 DIN EN 60529.

Material:

- **Housing, nut, insert, cam, round rod and adapter:**
stainless steel
- **Round rod and rollers:**
PA, black



For custom length rods as product system 7-106 the length L for rod control at the door center is:

$$L = \frac{\text{clearance} - 12\text{mm}(0.472)}{2(0.079)}$$


	Part No.	see page
a) Housing with nut and flat external seal	200-9043	
b) Insert with screw, wave washer and O-ring.		
Square 6	200-9146	
Square 7	200-9119	
Square 8	200-9120	
Triangular 7	200-9121	
Triangular 8	200-9122	
Double bit 3	200-9123	
Double bit 5	200-9124	
Slotted 2x4 deep	200-9151	
7/16" hex.	200-9192	
Socket hex.8 (5/16")	200-9195	
Socket hex.8 (5/16")with pin	100-9118	
c) 3-point cam		
for bending A20	200-9845.00-00022	
A26	200-9845.00-00028	
2-point-cam	200-9899	
d) Round rod Ø8 with rollers		
length L in mm / inch		
600 / 23.622	201-9010	
700 / 27.559	201-9011	
800 / 31.496	201-9012	
900 / 35.433	201-9013	
1000 / 39.370	201-9014	
1100 / 43.307	201-9015	
1200 / 47.244	201-9016	
e) Rod Guide		02.77
Rod Guide for bending A20	200-3601.03	
Rod Guide for bending A26	200-3602.03	
f) Adapter for round rods	200-9603	
Key for insert		09.8
g) e.g. Clip-on profile	209-0201	07.19