

1-170 Round rods

with standard length

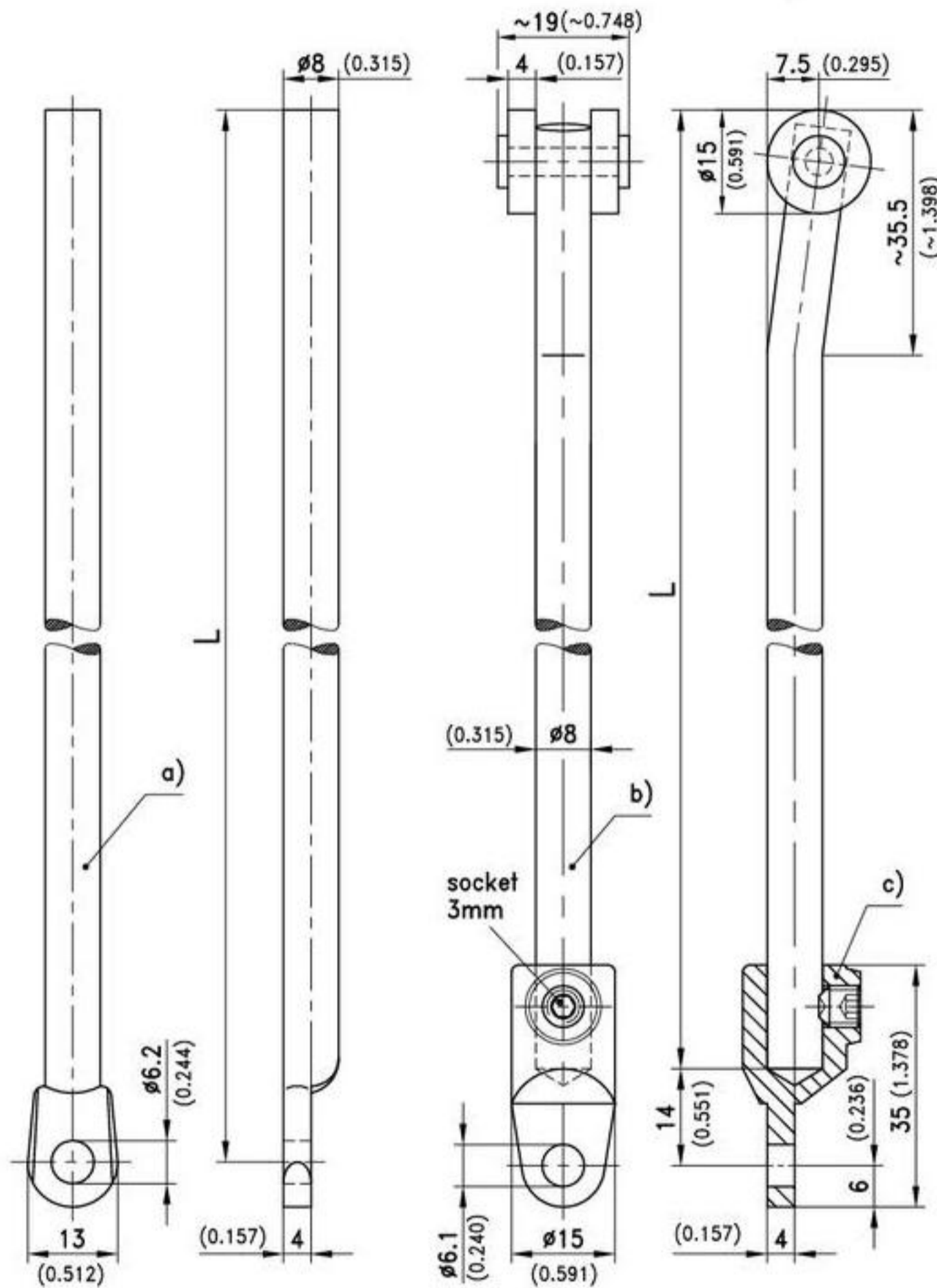


Round rods in different versions, standard length.

- **Attention:** Dimension L up to top of roller

Material:

- **Round rods:** steel, zinc plated
- **Rollers:** PA, black
- **Adapter:** zinc die, zinc plated
- **Rivet:** steel, zinc plated



a) Round Rod with eye	L in mm / inch	Part No.
	400 / 15.748	201-0102
	500 / 19.685	201-0103
	600 / 23.622	201-0104
	700 / 27.559	201-0105
	800 / 31.496	201-0106
	900 / 35.433	201-0107
	1000 / 39.370	201-0108
	1100 / 43.307	201-0109
	1200 / 47.244	201-0110
b) Round rod with rollers		
	400 / 15.748	201-9001
	500 / 19.685	201-9020-0500
	600 / 23.622	201-9002
	700 / 27.559	201-9020-0700
	800 / 31.496	201-9003
	900 / 35.433	201-9020-0900
	1000 / 39.370	201-9004
	1100 / 43.307	201-9020-1100
	1200 / 47.244	201-9005
c) Adapter		200-9601